

FLANGED TYPE BUTTERFLY VALVE TECLARGE FL

TECHNICAL PASSPORT

**FLANGED PN16 BUTTERFLY VALVE
DUCTILE IRON BODY - WITH MANUAL GEAR BOX**

VPE 4549-08

APPLICATION

VPE butterfly valves are intended for use in ON/OFF or control application in fluid transfer circuits.

Area of use: water treatment, pumping, irrigation.



Fluids: cold water, hot water, wastewater, demineralised water, liquid discharges, compressed air, alkalis, sodium hydroxide, etc.



GENERAL CHARACTERISTICS

Range : from DN350 to DN1200.

- Design according to standard NF EN 593.
- Soft sleeve guaranteeing waterproofing in both directions.
- Disc profiled and reduced in thickness ensuring a low maneuvering torque. Large flow capacity.
- Low pressure drop
- Flange connection ISO PN16
- Standard ISO 5211 mounting plate.
- Gear box with outlet mounting plate ISO 5210 allowing the installation of multiturn electric actuators.

STANDARDS

Design	Design in accordance with NF EN 593.
Face to face	Face to face dimensions according to NF EN 558 serie 20, ISO 5272 serie 20, DIN 3202.
Connection	Flange connection ISO PN16 according to EN1092-2.
Tests	Pressure test according to standards EN12266-1, DIN 3230, BS 5154 and ISO 5208. -Body : 24 bar -Seat : 17.6 bar

PRODUCT APPROVALS



Attestation ACS n° 18 ACC LY 383

Tecofi France

83 rue Marcel Mérieux - 69960 Corbas
Tél. +33 (0)4 72 79 05 79 - Fax. +33 (0)4 78 90 19 19
E-mail : sales@tecofi.fr - www.tecofi.fr

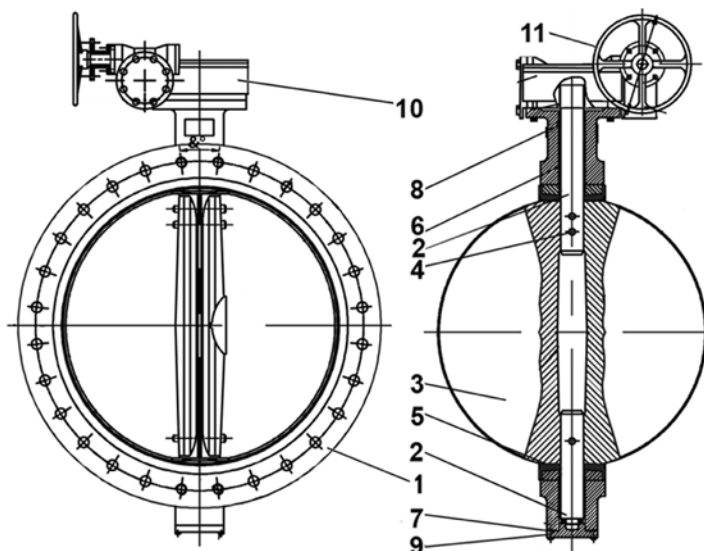


FLANGED TYPE BUTTERFLY VALVE TECLARGE FL

TECHNICAL PASSPORT

VPE 4549-08

CONSTRUCTION



Component	Coating
Body (1)	Epoxy powder RAL5019 250 µm

Pos.	Q-ty	Description	Material	Equivalences		
				DIN	ASTM	BS
1	1	Body	Ductile iron EN-GJS-400	GGG40	A536 65-45-12	EN-JS1030
2	2	Shaft	Stainless steel 410			
3	1	Disc	GX5CrNiMo 19-11-2	G-X6CrNiMo18 10	A351 Grade CF8M	1504 316 C16
4	1	Pin	Stainless steel 410			
5	1	Sleeve	EPDM CH			
6	1	Bushing	Alliage cuivreux			
7	1	O ring	NBR			
8	1	Bushing	Copper alloy			
9	1	Cover	Ductile iron EN-GJS-400	GGG40	A536 65-45-12	EN-JS1030
10	1	Gear box	Ductile iron			
11	1	Handwheel	Ductile iron			

The photographs and technical art works are not contractual. The specifications of the presented products are open to modifications without previous advice.

Tecofi France

83 rue Marcel Mérieux - 69960 Corbas
Tél. +33 (0)4 72 79 05 79 - Fax. +33 (0)4 78 90 19 19
E-mail : sales@tecofi.fr - www.tecofi.fr

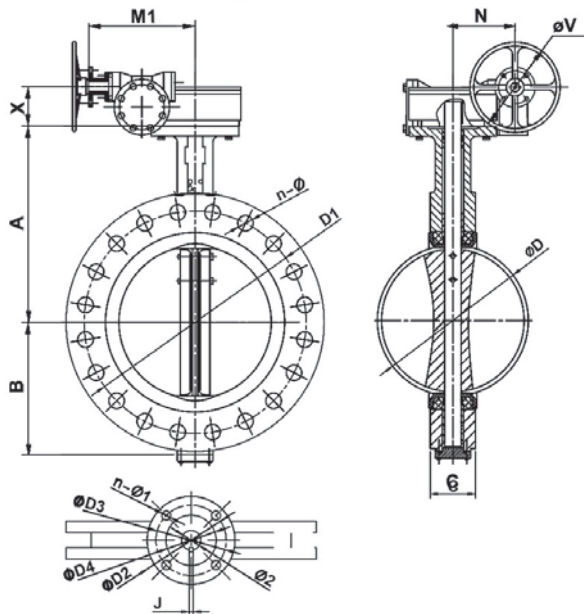


FLANGED TYPE BUTTERFLY VALVE TECLARGE FL

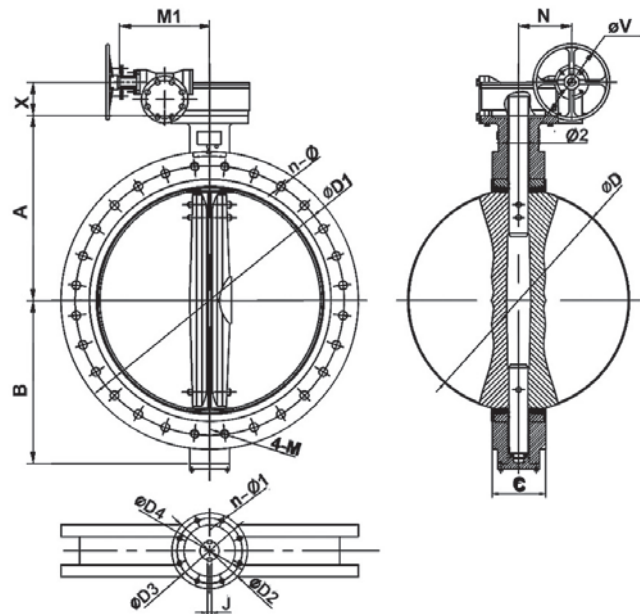
TECHNICAL PASSPORT

VPE 4549-08

DIMENSIONS



DN350 - DN600



DN700 - DN1200

DN		A	B	C	ØD	Ø2	ISO	ØD2	ØD3	ØD4	n1-Ø1	ØD1	N-Ø	4-M	8°	J	E	F	ØH	M1	N	X	ØV	Weight (kg)
mm	inch																							
350	14"	368	275	76.5	333.5	31.6	F14	175	140	100	4-18	470	16-28	-	22.5	8	344	170	267.5	229	159	112	300	90
400	16"	398	300	102	389.6	37.9	F14	175	140	100	4-18	525	16-31	-	22.5	10	344	170	367.5	226	165	109	300	124
450	18"	428	328	114	440.5	37.9	F14	175	140	100	4-18	585	20-31	-	18	10	344	170	267.5	226	165	109	300	150
500	20"	485	351	127	491.6	45.7	F14	175	140	100	4-18	650	20-34	-	18	14	344	170	267.5	226	165	109	300	156
600	24"	568	440	151	592.5	50.6	F16	210	165	130	4-22	770	20-37	-	18	16	380	250	277.5	274	194	128	300	287
700	28"	628	508	163	695	63.3	F25	300	254	200	8-18	840	20-37	4-M33	15	18	430	300	357.5	297	225	159	450	453
800	32"	672	530	188	794.7	63.3	F25	300	254	200	8-18	950	20-41	4-M36	15	18	430	300	357.5	297	225	159	450	567
900	36"	721	630	203	864.7	75	F25	300	254	200	8-18	1050	24-41	4-M36	12.85	20	547	320	362.5	328	238	165	450	767
1000	40"	802	692	216	965	85	F25	300	254	200	8-18	1170	24-44	4-M39	12.85	22	547	320	387.5	328	238	165	450	992
1200	48"	948	844	276	1160.6	105	F30	350	298	230	8-22	1390	28-50	4-M45	11.25	28	684	320	402.5	429	307	204	450	1376

The photographs and technical art works are not contractual. The specifications of the presented products are open to modifications without previous advice.

Tecofi France

83 rue Marcel Mérieux - 69960 Corbas
 Tél. +33 (0)4 72 79 05 79 - Fax. +33 (0)4 78 90 19 19
 E-mail : sales@tecofi.fr - www.tecofi.fr



FLANGED TYPE BUTTERFLY VALVE TECLARGE FL

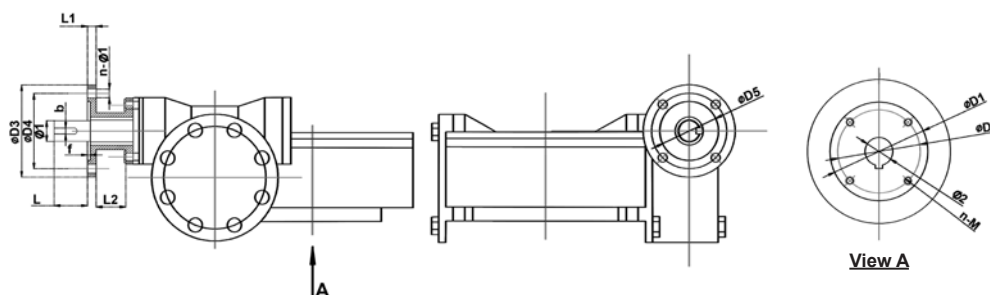
TECHNICAL PASSPORT

VPE 4549-08

WORKING CONDITIONS

Maximum working pressure : 16 bar
Maximum working temperature : -15°C / +130°C
Peak temperature : -30°C / +150°C

GEAR BOX DIMENSIONS



DN		D1	D2	D3	D4	D5	f	Ø1	Ø2	n-M	ISO plate		n-Ø	b	L	Number of turns	Torque* Nm
mm	inch										5211	5210					
350	14"	175	140	125	102	70	3	20	31.6	4-M16	F14	F10	4-Ø12	6	30	133	11
400	16"	175	140	125	102	70	3	20	37.9	4-M16	F14	F10	4-Ø12	6	30	133	17
450	18"	175	140	125	102	70	3	20	37.9	4-M16	F14	F10	4-Ø12	6	30	133	22
500	20"	175	140	125	102	70	3	20	45.7	4-M16	F14	F10	4-Ø12	6	30	133	27
600	24"	210	165	125	102	70	3	20	50.6	4-M20	F16	F10	4-Ø12	6	30	160	45
700	28"	300	254	125	102	70	3	20	63.4	8-M16	F25	F10	4-Ø12	6	45	176	60
800	32"	300	254	175	140	100	4	30	63.4	8-M16	F25	F14	4-Ø18	8	45	176	96
900	36"	300	254	175	140	100	4	30	75	8-M16	F25	F14	4-Ø18	8	45	212	91
1000	40"	300	254	175	140	100	4	30	85	8-M16	F25	F14	4-Ø18	8	45	212	126
1200	48"	350	298	175	140	100	4	30	105	8-M20	F30	F14	4-Ø18	8	45	268	156

* Values without safety factor

FLOW FACTORS (KV)

DN		Kv values								
mm	inch	10°	20°	30°	40°	50°	60°	70°	80°	90°
350	14"	6	338	715	1549	2761	4568	7230	10844	11917
400	16"	8	464	983	2130	3797	6282	9942	14913	16388
450	18"	11	615	1302	2822	5028	8320	13168	19752	21705
500	20"	14	971	1674	3628	6465	10698	16931	25396	27908
600	24"	22	1222	2587	5605	9989	16528	26157	39236	43116
700	28"	30	1633	3522	7630	12599	20236	30482	46899	58696
800	32"	45	2387	4791	8736	13786	20613	31395	48117	68250
900	36"	60	3021	6063	11055	17449	26086	39731	60895	86375
1000	40"	84	4183	8395	15307	24159	36166	55084	84425	119750
1200	48"	102	4651	10365	17010	27242	43853	70431	108968	132888

Kv = water volume in m³/h passing through the valve at a given throttle opening under a pressure drop of 1 bar.

Tecofi France

83 rue Marcel Mérieux - 69960 Corbas
Tél. +33 (0)4 72 79 05 79 - Fax. +33 (0)4 78 90 19 19
E-mail : sales@tecofi.fr - www.tecofi.fr

