

FLANGED TYPE BUTTERFLY VALVE SERIES 13

TECHNICAL PASSPORT

VP 4200A-08

BUTTERFLY VALVE - DUCTILE IRON BODY WITH GEARBOX - FLANGED TYPE PN10

APPLICATION

Blocking and regulation for fluid transfer circuits.

Areas of use: seawater desalination, water networks, drainage systems, water treatment, petrochemical and naval industries.



Fluids: seawater, cold water, low-load wastewater.

GENERAL CHARACTERISTICS

Dimension: DN600

- Design according to NF EN 593-2017
- Epoxy-coated ductile iron body
- Mirror-polished SUPER DUPLEX disc
- DUPLEX stem
- Soft seat
- Bidirectional seal
- Simple design extremely reliable, easy maintenance
- Low operating torque
- ISO5211 F16 standardized baseplate
- IP68 manual gearbox with hand wheel
- With visual position indicator

STANDARDS

Design	Design according to BS EN593
Face to face	Face to face according to NF EN 558 serie 13
Connection	Flange connection PN10 in accordance with standard EN1092-2
Tests	Test procedures are established according to standards EN12266-1, DIN 3230, BS 5154 and ISO 5208 : - Body : 15 bar - Seat : 11 bar



APPROVALS OF PRODUCTS



Tecofi France

83 rue Marcel Mérieux - 69960 Corbas
Tél. +33 (0)4 72 79 05 79 - Fax. +33 (0)4 78 90 19 19
E-mail: sales@tecofi.fr - www.tecofi.fr

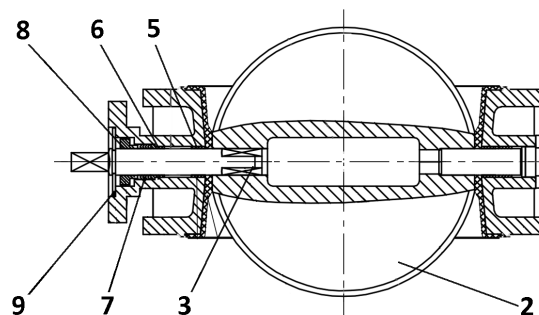
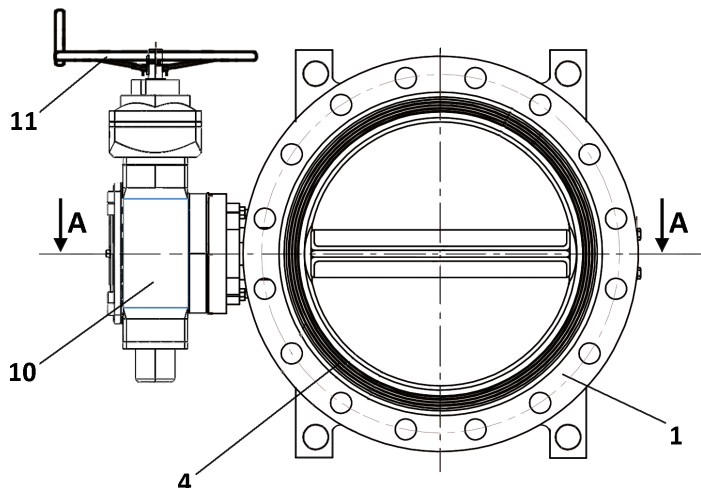


FLANGED TYPE BUTTERFLY VALVE SERIES 13

TECHNICAL PASSPORT

VP 4200A-08

CONSTRUCTION



A-A

Component	Coating
Body (1)	Epoxy powder RAL5015 thickness 250 microns
Gearbox (10)	Epoxy powder RAL7037 thickness 140 microns
Handwheel (11)	Black paint applied by electrophoresis

Pos.	Description	Material
1	Body	Ductile iron GGG40 / EN-GJS-400-15 / ASTM A536-45-12
2	Disc	Super Duplex 2507 / ASTM A182 F53 / UNS S32750
3	Shaft	Duplex 2205 / ASTM A182 F51 / UNS S31803
4	Seat	EPDM (Ethylene Propylene Diene Monomer)
5	Bushing	PTFE (Polytetrafluorethylene)
6	Packing shore	Bronze
7	Packing	NBR (Nitrile)
8	Packing gland	Ductile iron GGG40 / EN-GJS-400-15 / ASTM A536-45-12
9	Card board	Cast iron GG25 / EN-GJL-250 / ASTM A48 class 40B
10	Gearbox	Cast iron GG25 / EN-GJL-250 / ASTM A48 class 40B
11	Handwheel	Aluminium

Tecofi France

83 rue Marcel Mérieux - 69960 Corbas
Tél. +33 (0)4 72 79 05 79 - Fax. +33 (0)4 78 90 19 19
E-mail: sales@tecofi.fr - www.tecofi.fr

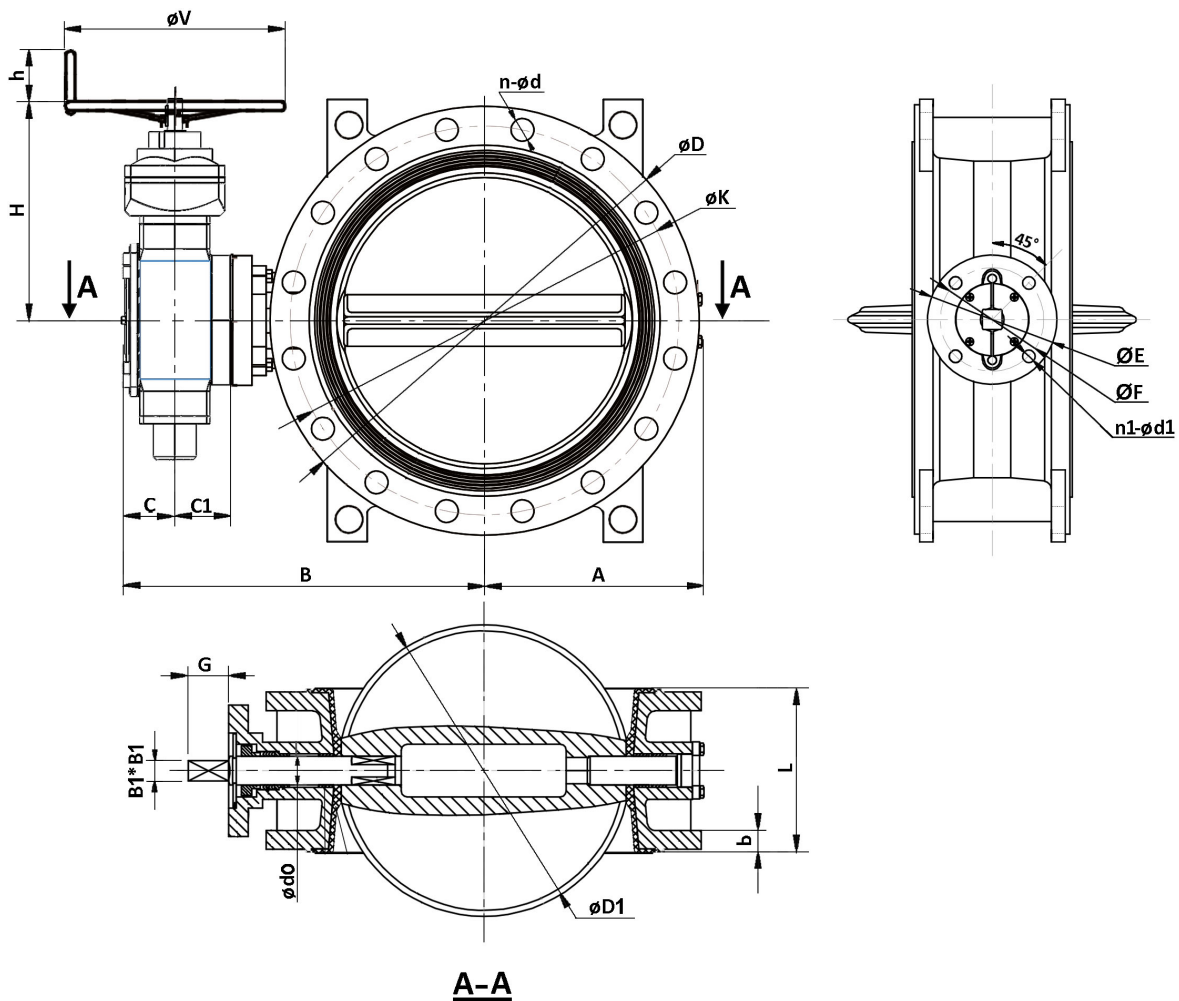


FLANGED TYPE BUTTERFLY VALVE SERIES 13

TECHNICAL PASSPORT

VP 4200A-08

DIMENSIONS



DN		A	B	C	C1	ϕD	$\phi D1$	ϕK	n- ϕd	H	ϕV	h	L	b	G	B1*B1	$\phi d0$	ϕE	ϕF	n1- $\phi d1$	Weight (kg)
mm	inch																				
600	24"	410	642	67	75	780	592.5	725	20- $\phi 31$	250	400	90	267	30	60	36*36	50.62	210	165	4- $\phi 23$	240

WORKING CONDITIONS

Maximum working pressure: 10 bar
Maximum working temperature: -10°C / +110°C

Tecofi France

83 rue Marcel Mérieux - 69960 Corbas
Tél. +33 (0)4 72 79 05 79 - Fax. +33 (0)4 78 90 19 19
E-mail: sales@tecofi.fr - www.tecofi.fr

