

WAFER TYPE DUAL-PLATE CHECK VALVE

TECHNICAL PASSPORT

DUAL-PLATE CHECK VALVE SUPER DUPLEX BODY AND PLATES BETWEEN FLANGES PN16

CB 6447

APPLICATION

The TECOFI swing check valve is suitable for non-loaded fluid transfer applications under regular non-pulsating conditions.

Areas of use: desalination of seawater, chemical, petrochemical and naval industries.



Fluids: seawater, hot water, cold water, all compatible fluids.

GENERAL CHARACTERISTICS

- Dual-plate check valve
- Super DUPLEX body and plates
- Symmetrical flow with full opening
- The mounting direction is indicated by the arrow on the body
- Robust, lightweight and economical construction
- Face-to-face requiring no maintenance
- Low pressure losses
- Mounting on horizontal or vertical piping
- Closing assisted by stainless steel spring preventing the propagation of water hammer

STANDARDS

Design	Design according to standard EN 16767. Meets the requirements of European Directive 2014/68/UE: «Equipment under pressure» modulate H
Face-to-face	Face-to-face according to EN 558 serie 16
Connection	Mounting between langes PN16 according to EN1092-1 and ISO7005-1
Tests	Hydraulic tests according to EN12266-1, DIN 3230, BS 5154 and ISO 5208: - Body: 24 bar - Seat: 17.5 bar

PRODUCT APPROVALS



Tecofi France

83 rue Marcel Mérieux - 69960 Corbas
Tél. +33 (0)4 72 79 05 79 - Fax. +33 (0)4 78 90 19 19
E-mail: sales@tecofi.fr - www.tecofi.fr

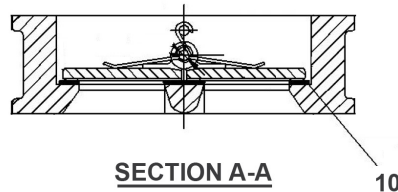
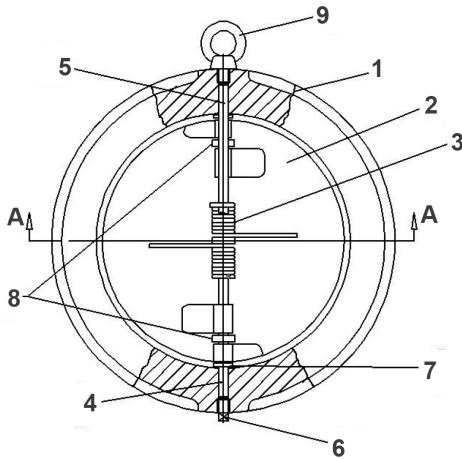


WAFER TYPE DUAL-PLATE CHECK VALVE

TECHNICAL PASSPORT

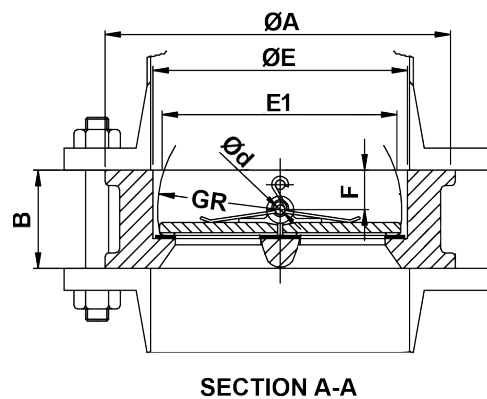
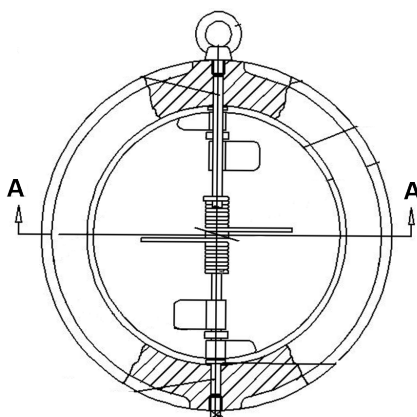
CB 6447

CONSTRUCTION



Pos.	Quantity	Description	Material
1	1	Body	Super Duplex 2507 / ASTM A182 F53 / UNS S32750
2	2	Plate	Super Duplex 2507 / ASTM A182 F53 / UNS S32750
3	2	Spring	Inconel®
4	1	Hinge pin	Super Duplex 2507 / ASTM A182 F53 / UNS S32750
5	1	Stop pin	Super Duplex 2507 / ASTM A182 F53 / UNS S32750
6	4	Plug	Stainless steel AISI 304 / ASTM A 182 AISI 304
7	2	Bearing	PTFE (Polytetrafluorethylene)
8	2	Body bearing	PTFE (Polytetrafluorethylene)
9	1	Lifting ring	Stainless steel AISI 304 / ASTM A 182 AISI 304
10	1	Body seat	EPDM (Ethylene Propylene Diene Monomer)

DIMENSIONS



DN		Ø A	Ø E	ØE1	B	GR	F	Ød	Weight (kg)
mm	inch								
500	20"	592	505	469.1	152	241	58	20	111

Tecofi France

83 rue Marcel Mérioux - 69960 Corbas
 Tél. +33 (0)4 72 79 05 79 - Fax. +33 (0)4 78 90 19 19
 E-mail: sales@tecofi.fr - www.tecofi.fr

ISO 9001
 ISO 14001
 BUREAU VERITAS
 Certification



WAFER TYPE DUAL-PLATE CHECK VALVE

TECHNICAL PASSPORT

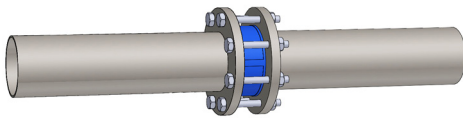
CB 6447

WORKING CONDITIONS

Maximum working pressure: 16 bar
Maximum working temperature: -10°C / 110°C

MOUNTING

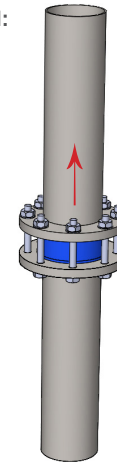
Horizontal:



For horizontal mounting, the axis of the check valve must be vertical.



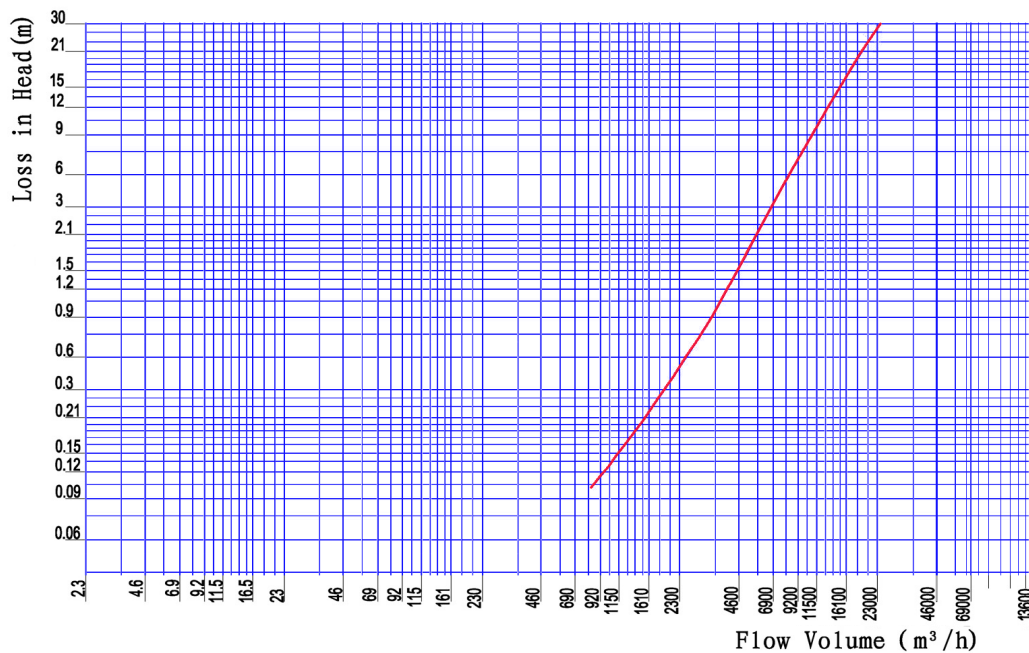
Vertical:



Vertical mounting with ascending fluid.

! During the installation it is recommended to maintain a distance of 3 to 5 times the minimal diameter upstream and downstream of an elbow or appliance. This makes it possible to stay out of areas of turbulence likely to increase the risk of wear.
At the discharge of a pump it is advisable to carry out the assembly in accordance with the **FD CEN/TR 13932** standards

HEAD LOSS CHART



Tecofi France

83 rue Marcel Mérieux - 69960 Corbas
Tél. +33 (0)4 72 79 05 79 - Fax. +33 (0)4 78 90 19 19
E-mail : sales@tecofi.fr - www.tecofi.fr

ISO 9001
ISO 14001
BUREAU VERITAS
Certification

