

Ref. : X5343-3V.pas

Rev. : Initial

Date : 24/11/08

Page : 1/1

# 3 WAYS FLANGED VALVES PN6

## X5343-3V



### APPLICATION

The mixing valve are used in heating installations for to mix hot water and cooled water.

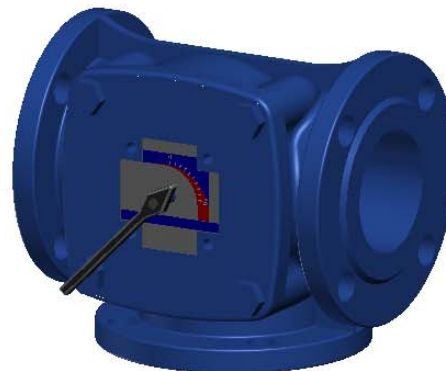
### GENERAL CHARACTERISTICS

Range : from DN 50 to DN 150.

Manual.  
Rotation angle 90°.  
3 ways.  
Flanged PN10.

### CONSTRUCTION

4	1	O-ring	EPDM
3	1	Stem	Brass
2	1	Plug	Brass
1	1	Body	Fonte
Pos.	Qty.	Description	Material



### DIMENSIONS

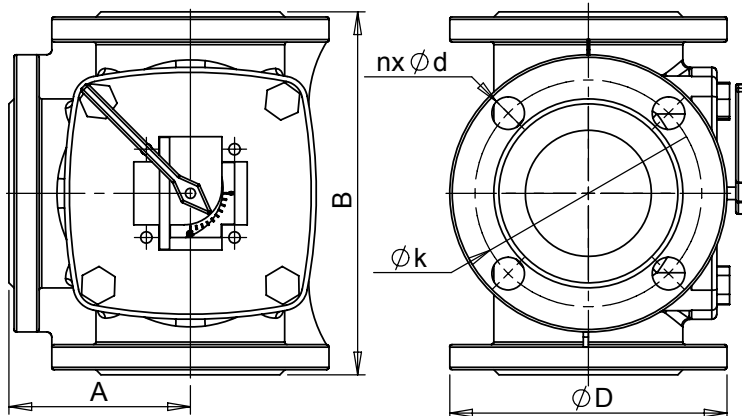
DN		A	B	ØD	nxØd	Øk	Kvs	Weight (kg)
mm	inch							
50	2"	97,5	195	140	4x15	110	60	9,1
65	2 1/2"	100	200	160	4x15	130	90	10,0
80	3"	120	240	190	4x18	150	150	16,2
100	4"	133	265	210	4x18	170	225	21,0
125	5"	150	300	240	8x18	200	280	27,0
150	6"	175	350	265	8x18	225	400	37,0

### WORKING CONDITIONS

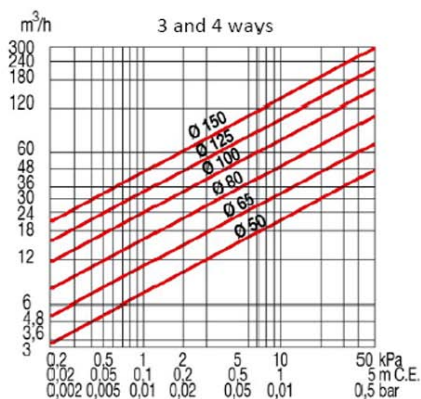
Maximum temperature : 110°C  
Maximum pressure : 6 bar.

### AGREEMENT AND TESTING

Flanged drilled according to standard EN 1092-2 ISO PN10.



Head loss



Mixing characteristics

