

Ref. : X 3100.pas

Rev. : Initial

Date : 23/09/08

Page : 1/1

QUICK DRAINING VALVE "PERFECTION"

X 3100



APPLICATION

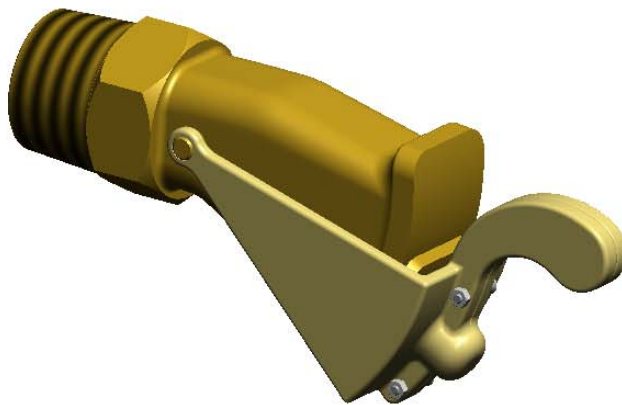
Draining valve for viscous fluids.

GENERAL CHARACTERISTICS

Male threaded end.
Operating by handle.

CONSTRUCTION

3	1	Obturing	Brass
2	1	Handle	Pressed steel
1	1	Body	Bronze for 3/4" - 2 " Cast iron for 2"1/2 - 4"
Pos.	Qty.	Description	Material



DIMENSIONS

DN		A	B	Weight (kg)
mm	inch			
20	3/4"	30	17 0	0,45
40	1"1/2	40	20 0	1,30
50	2"	40	22 0	1,50
65	2"1/2	53	26 0	3,85
80	3"	53	30 0	5,40
100	4"	60	35 0	10,80

WORKING CONDITIONS

Maximum working pressure : 10 bar.
Maximum temperature : +100°C.

AGREEMENT AND TESTING

BSP threaded according to standard ISO 228-1.

