

THREADED BACKFLOW PREVENTER

TECHNICAL PASSPORT

BACKFLOW PREVENTER TYPE CA NON CONTROLABLE REDUCED PRESSURE

X 2102

APPLICATION

Collective or industrial heating, sprinkler networks, watering and irrigation systems, swimming pool installations, air-treatment systems, water treatment using products not authorized for sanitary networks, etc.



Fluids : hot water, drinking water, industrial water.

GENERAL CHARACTERISTICS

Range: from DN15 to DN20.

This controllable reduced pressure zone backflow preventer (BA), certified with the NF Antipollution mark, is designed to protect drinking water networks against the backflow of polluted fluids that do not present permanent microbiological risks to human health, within the limits defined by the Health Authority.

- A controllable reduced pressure zone BA backflow preventer consists of three zones — upstream, intermediate, and downstream — each equipped with a pressure measurement port.
- Two independent non return devices separate the intermediate zone (reduced pressure zone) from each of the other two zones; these devices are normally closed when the system is not pressurized.
- A discharge device (air gap) connected to the intermediate zone, normally open when the system is not pressurized.

STANDARDS

Design	According to ISO 9001 : 2015 et ISO 14001 : 2004
Connection	Threaded female BSP cylindrical ends according to ISO 228-1.
Tests	Pressure tests according to EN 12266-1, DIN 3230, and ISO 5208.

PRODUCT APPROVALS



The photographs and technical art works are not contractual. The specifications of the presented products are open to modifications without previous advice.

Tecofi France

83 rue Marcel Mérieux - 69960 Corbas
Tél. +33 (0)4 72 79 05 79 - Fax. +33 (0)4 78 90 19 19
E-mail : sales@tecofi.fr - www.tecofi.fr

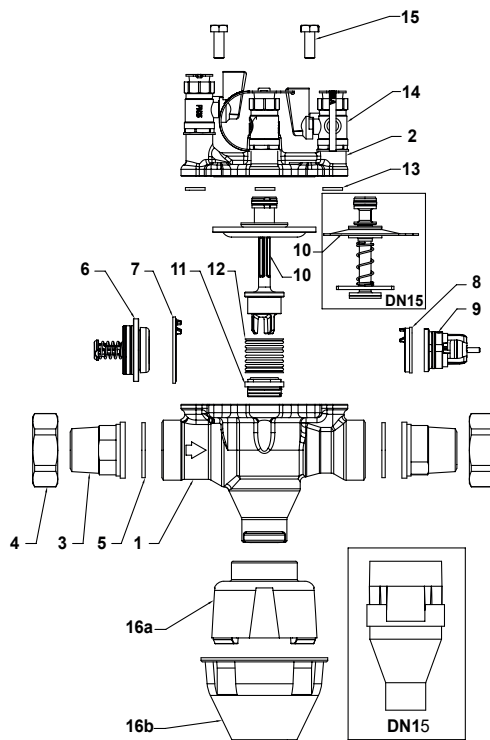


THREADED BACKFLOW PREVENTER

TECHNICAL PASSPORT

X 2102

CONSTRUCTION



Pos.	Description	Material	
		DN15	Others DN
1	Body	Brass	Brass
2	Bonnet	Brass	Brass
3	Socket	Brass	Brass
4	Nuts	Brass	Brass
5	Socket gasket	EPDM	EPDM
6	Upstream check valve	Plastic details : PPO Gaskets : EPDM Spring : Stainless steel	Plastic details : PAA 40% FV Gaskets : EPDM / Silicone Spring : Stainless steel
7	Downstream clips	Stainless steel	PPA 40% FV
8	Upstream clips	Stainless steel	PPA 40% FV / Stainless steel
9	Downstream check valve	Plastic details : PPO/POM Gaskets : NBR / EPDM Spring : Stainless steel	Plastic details : PAA 40% FV Gaskets : EPDM / Silicone Spring : Stainless steel
10	Relief valve	Brass Gaskets : EPDM Spring : Stainless steel	Plastic details : PAA 40% FV Gaskets : EPDM / Silicone
11	Relief valve seat	-	-
12	Relief valve spring	-	-
13	Pressure teste point gasket	-	-
14	Valves	Brass	Brass
15	Screw	Stainless steel	Stainless steel
16a	Funnel	PVC	PVC
16b	Funnel	PVC	PVC

Tecofi France

83 rue Marcel Mérieux - 69960 Corbas
Tél. +33 (0)4 72 79 05 79 - Fax. +33 (0)4 78 90 19 19
E-mail : sales@tecofi.fr - www.tecofi.fr

ISO 9001
ISO 14001
BUREAU VERITAS
Certification



THREADED BACKFLOW PREVENTER

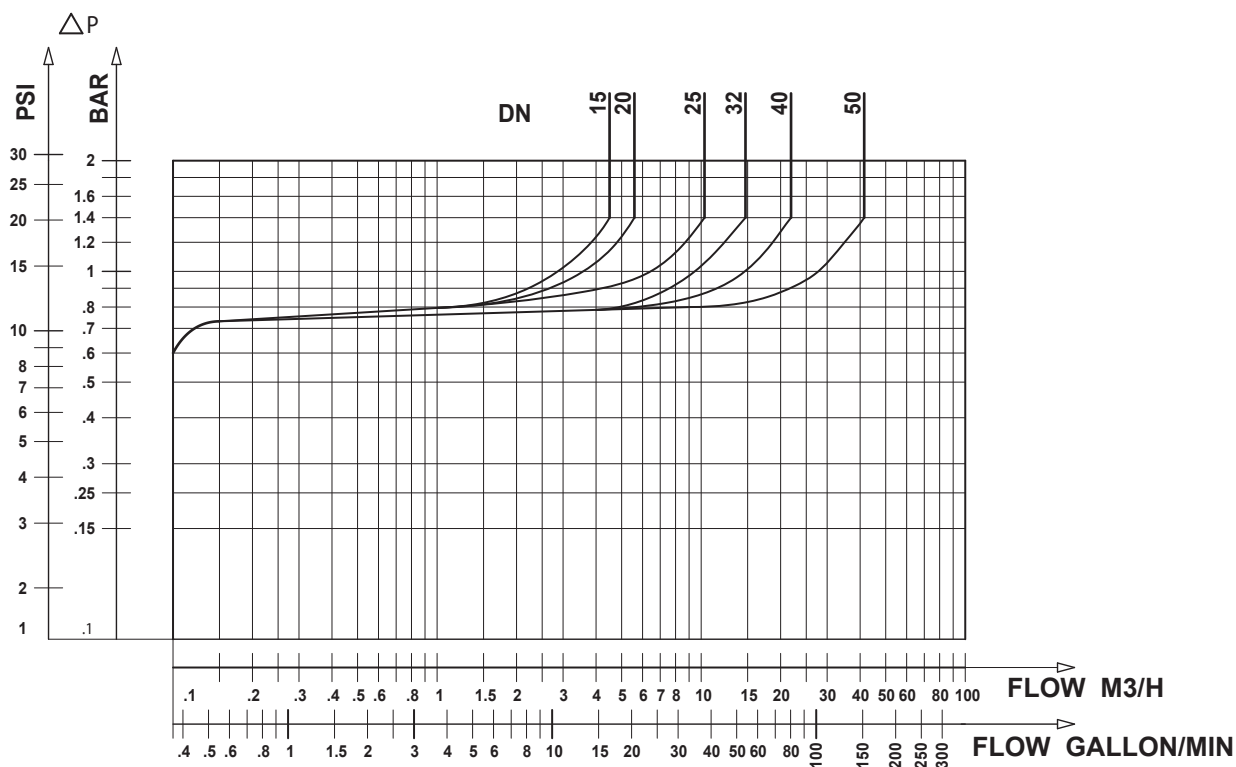
TECHNICAL PASSPORT

X 2102

WORKING CONDITIONS

Maximum working pressure : 10 bar
Maximum working temperature : +5°C / +65°C

HEAD LOSS GRAPH



The photographs and technical art works are not contractual. The specifications of the presented products are open to modifications without previous advice.

Tecofi France

83 rue Marcel Mérieux - 69960 Corbas
Tél. +33 (0)4 72 79 05 79 - Fax. +33 (0)4 78 90 19 19
E-mail : sales@tecofi.fr - www.tecofi.fr

