

THREADED BACKFLOW PREVENTER

TECHNICAL PASSPORT

BACKFLOW PREVENTER TYPE CA NON CONTROLABLE REDUCED PRESSURE

X 2101

APPLICATION

The non controllable reduced pressure zone backflow preventer is used to protect drinking water networks against any type of polluting backflow from other networks..



Fluids : hot water, drinking water, industrial water.

GENERAL CHARACTERISTICS

Range : from DN15 to DN20.

- Compact, non controllable model for boiler with a maximum power of 70 kW.
- Brass body with NDZ female unions (anticorrosion).
- Built-in pre-filter.
- Low pressure drop
- Direction of assembly is indicated by an arrow on the body.
- Membrane, shutter seal and valve seal in EPDM.
- Does not require adjustment and is easy to install
- No periodic maintenance requirement

Operation : The backflow preventer includes two non-return valves which are separated by a chamber communicating with the atmosphere. This, connected to the discharge system, makes it possible to close the upstream and downstream circuits or to conserve the flow according to the pressure difference between the various zones.



ACS

STANDARDS

Design	According to NF EN 14367 (in accordance with NF0454 Technical document n°4)
Connection	Threaded female BSP cylindrical ends according to ISO 228-1.
Tests	Pressure tests according to EN 12266-1, DIN 3230, BS 5154, and ISO 5208.

PRODUCT APPROVALS



Tecofi France

83 rue Marcel Mérieux - 69960 Corbas
Tél. +33 (0)4 72 79 05 79 - Fax. +33 (0)4 78 90 19 19
E-mail : sales@tecofi.fr - www.tecofi.fr

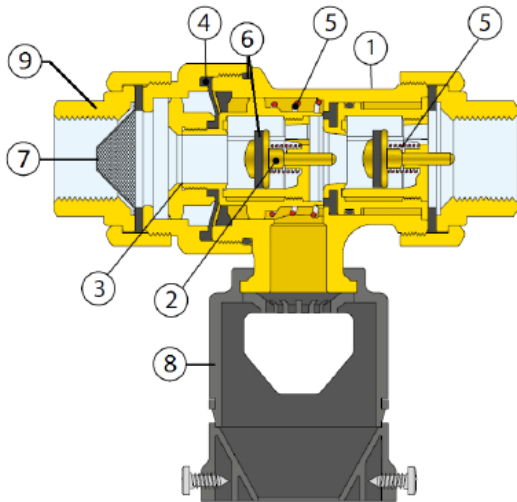


THREADED BACKFLOW PREVENTER

TECHNICAL PASSPORT

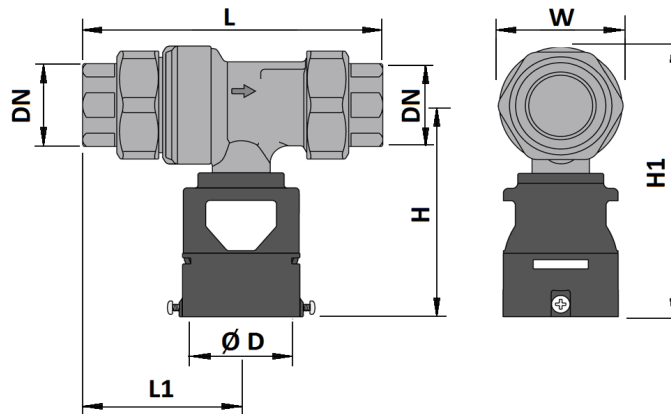
X 2101

CONSTRUCTION



Pos.	Description	Material
1	Body	Brass CW617N-4MS according to EN 12165
2	Check valve	Dezincification-resistant Brass CW724R
3	Check valve seat	Dezincification-resistant Brass CW724R according to EN 12165
4	Diaphragm	EPDM
5	Spring	Stainless steel AISI 302
6	Gasket	EPDM
7	Strainer	Stainless steel AISI 304
8	Evacuation support	Polymer
9	Union fitting	Dezincification-resistant Brass CW724R according to EN 12165

DIMENSIONS



DN		L	L1	H	H1	W	ØD	Kvs (m³/h)	Weight (kg)
mm	inch								
15	1/2"	114.5	60.5	84.4	108	47.8	40	2.2	0.73
20	3/4"	114.5	60.5	83.9	108	47.8	40	2.4	0.73

Tecofi France

83 rue Marcel Mérieux - 69960 Corbas
 Tél. +33 (0)4 72 79 05 79 - Fax. +33 (0)4 78 90 19 19
 E-mail : sales@tecofi.fr - www.tecofi.fr



THREADED BACKFLOW PREVENTER

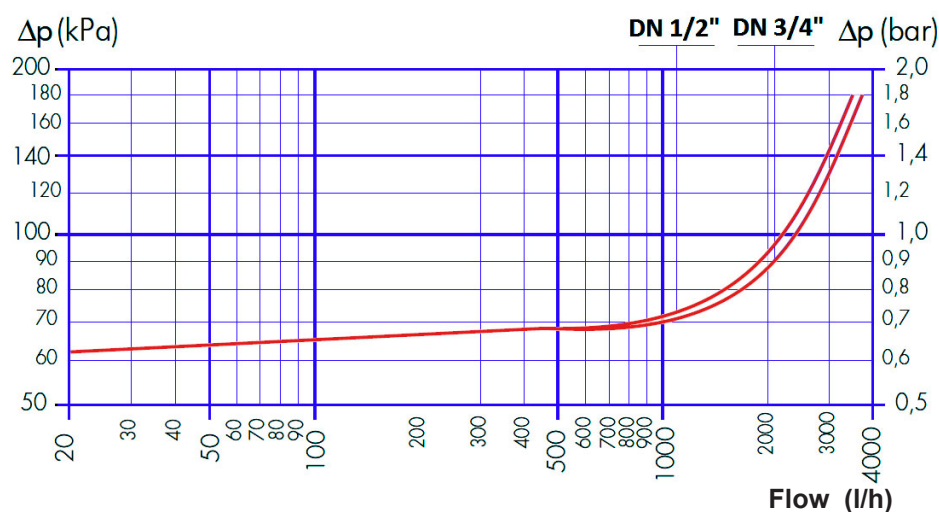
TECHNICAL PASSPORT

X 2101

WORKING CONDITIONS

Maximum working pressure : 10 bar
Maximum working temperature : +5°C / +65°C

HEAD LOSS GRAPH



The photographs and technical art works are not contractual. The specifications of the presented products are open to modifications without previous advice.

Tecofi France

83 rue Marcel Mérieux - 69960 Corbas
Tél. +33 (0)4 72 79 05 79 - Fax. +33 (0)4 78 90 19 19
E-mail : sales@tecofi.fr - www.tecofi.fr

