

Ref. : VPN 3449-EZX4.pas

Rev. : D

Date : 17/09/2015

Page : 1/1

# BUTTERFLY VALVE WITH ELECTRIC ACTUATOR

## VPN 3449-EZX4



### APPLICATION

General use : water, sea water, air, acids etc...  
"Non suitable for steam application"

### CARACTERISTIQUES GENERALES

Design according with BS EN 593.  
Type with lugs, tightness in both ways.  
Sleeve in dovetail shape ensures a perfect assembling (for high vacuum we can stick it).  
High and low semi stem giving a high flow coefficient, machined disc on periphery giving a low and regular torque.  
Unejectable stem, dovetail type sleeve, mounting flange according to ISO 5211.

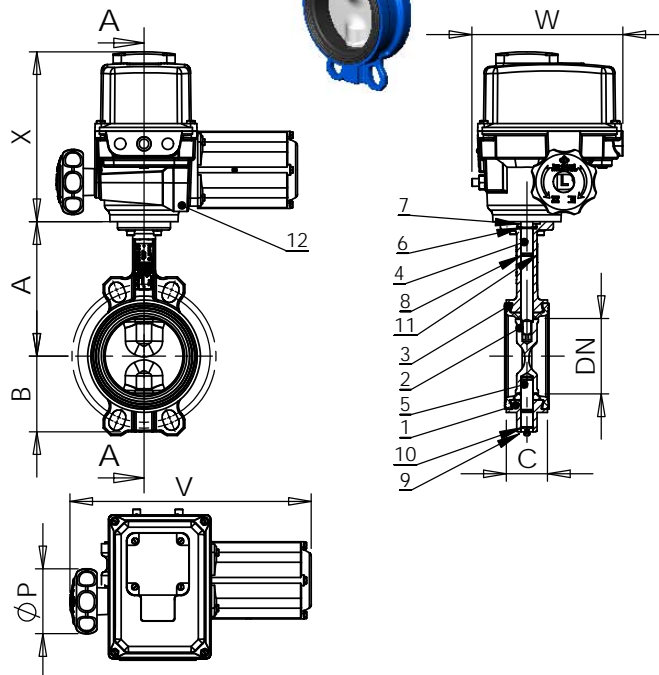
### PRODUCT REFERENCE

	<b>VPN 3449-EZX4</b>	<b>Electric actuator type</b>
	VPN 3449-EZ04	BERNARD 400V 3 PH
	VPN 3449-EZ24	BERNARD 230V 1 PH



### CONSTRUCTION

12	1	Electric actuator	BERNARD	
11	1	Nameplate	Stainless steel 304	
10	2	Circlip	Steel	
9	1	Bottom cover	NBR	
8	2	O ring	EPDM	
7	1	Antidust ring	NBR	
6	1	Anti blowout ring	Stainless steel 420	DIN : 1.4021 ASTM : AISI 420 BS : 420 S 37
5	1	Upper stem	Stainless steel 420	DIN : 1.4021 ASTM : AISI 420 BS : 420 S 37
4	1	Lower stem	Stainless steel 420	DIN : 1.4021 ASTM : AISI 420 BS : 420 S 37
3	1	Sleeve	EPDM CH	In standard
2	1	Disc	GX5CrNiMo19-11-2	DIN: G-X6CrNiMo18 10 ASTM: A 351 Grade CF8M BS: 1504 316 C16
1	1	Body	EN-GJL-250	DIN : GG25 ASTM : A48 class 40B BS : 1452 Grade 250
Pos.	Q-ty	Description	Material	



### DIMENSIONS

DN		A	B	C	Weight (valve + actuator) (kg)	
mm	inch				VPN 3449-EZ04	VPN 3449-EZ24
40**	1 1/2	134,0	58	34,0	8,4	7,4
50	2"	139,7	65	41,8	9,0	8,0
65	2 1/2	152,4	73	45,3	9,4	8,4
80	3"	158,8	85	45,3	10,0	9,0
100	4"	178,0	100	51,5	10,8	9,8
125	5"	190,5	115	54,5	13,0	13,0
150	6"	203,0	120	54,5	13,9	13,9
200	8"	238,0	160	59,6	19,1	19,1
250	10"	268,3	195	68,0	34,0	34,0
300	12"	306,4	230	78,0	48,8	48,8

\*\* Can be installed between DN32 flanges

### WORKING CONDITIONS

Maximum working pressure : 16 bar.  
Maximum working temperature : -15°C / +130°C.  
Peak temperature: -30°C / +150°C

Sleeve types in option	Maximum temperature	Peak temperature
EPDM	+ 4°C / + 110°C	- 20°C / +130°C
White EPDM	+ 4°C / + 110°C	- 20°C / +130°C
CSM (Type Hypalon®)	+ 4°C / +80°C	- 20°C / +110°C
FPM (Type Viton®)	- 10°C / +170°C	- 20°C / +200°C
Silicone	- 20°C / +170°C	- 40°C / +200°C
Nitril (NBR)	- 10°C / +80°C	- 20°C / +90°C

### ACTUATOR DIMENSIONS

DN	Référence produit	Référence moteur	ØP	V	W	X
DN 40-100	VPN 3449-EZ24	EZ4 230V 1PH 50Hz	90	273	200	225
	VPN 3449-EZ04	EZ6 400V 3PH 50Hz	90	319	200	225
DN 125-150	VPN 3449-EZ24	EZ10 230V 1PH 50Hz	90	319	200	225
	VPN 3449-EZ04	EZ10 400V 3PH 50Hz	90	362	200	225
DN 200	VPN 3449-EZ24	EZ15 230V 1PH 50Hz	90	459	313	180
	VPN 3449-EZ04	EZ15 400V 3PH 50Hz	160	528	313	180
DN 250	VPN 3449-EZ24	EZ25 230V 1PH 50Hz	160	528	313	180
	VPN 3449-EZ04	EZ25 400V 3PH 50Hz	250	528	313	180
DN 300	VPN 3449-EZ24	EZ60 230V 1PH 50Hz	250	528	313	180
	VPN 3449-EZ04	EZ60 400V 3PH 50Hz	250	528	313	180

Maximum differential pressure: 16 bar

### STANDARDS

Manufacture according to the requirements of the European directive 2014/68/UE «Equipment under pressure»: modulate H.  
Face to face according to standards NF EN 558-1 serie 20, ISO 5272 série 20, DIN 3202.  
Mounting between flanges PN 10 / PN 16: according to EN 1092-2, BS 450, ANSI B16.1-5.  
Adjustable between flanges ASME B16.5 Class 150 and JIS 10K.  
Pressure test according to standards EN 12266-1, DIN 3230, BS 6755 and ISO 5208 :  
Corps: 24 bar  
Siège: 17.6 bar

**TECOFI France** - 83, Rue Marcel Mérieux 69960 Corbas - France  
Tél. +33 (0)4 72 79 05 79 - Fax +33 (0)4 78 90 19 19 / +33 (0)4 72 79 05 79  
Adresses e-mail: sales@tecofi.fr; tecofi@tecofi.fr / site web: www.tecofi.fr