

Ref. : VPI 4648-UX4 pas

Rev. : A

Date : 15/10/2018

Page : 1/1

# BUTTERFLY VALVE WITH ELECTRIC ACTUATOR

## VPI 4648-UX4



**Tecofi**  
VALVE DESIGNER - FRANCE

### APPLICATION

General use : water, compressed air, acids etc.  
"Non suitable for steam application"

### GENERAL CHARACTERISTICS

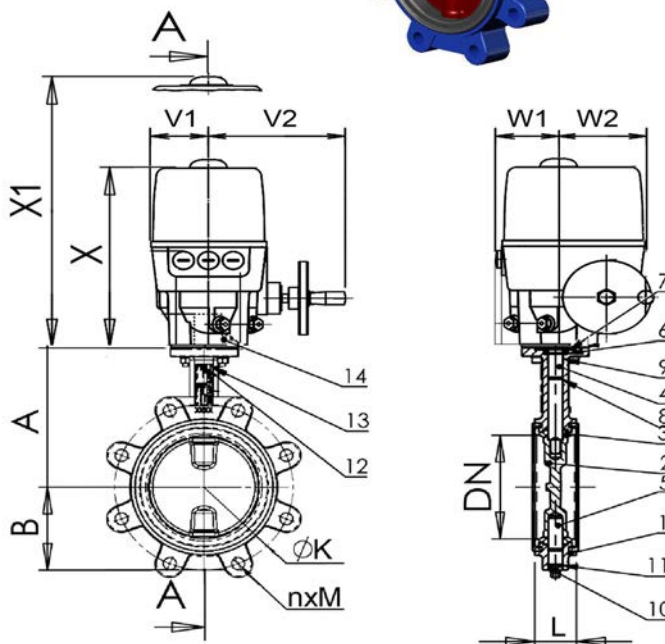
Design according with BS EN 593.  
Tightness in both ways. Lugged type with threaded ears.  
Flexible sleeve adapted to the shape of the body assures low operating torque. High and low semi stem giving a high flow coefficient, machined disc on periphery giving a low and regular torque. Unejectable stem, mounting flange according to ISO 5211.

### CONSTRUCTION

14	1	Electric actuator	
13	1	Rivet	Aluminium
12	1	Nameplate	Stainless steel 304
11	2	Circlips	65Mn
10	1	Bottom cover	Plastic
9	1	Bushing	Stainless steel 201 + F4
8	2	O ring	NBR
7	1	Antidust ring	NBR
6	1	Anti blowout ring	Stainless steel 201
5	1	Lower stem	Stainless steel 420
4	1	Upper stem	Stainless steel 420
3	1	Sleeve	Heat EPDM
2	1	Disc**	Ductile iron EN-GJS-500-7
1	1	Body	Ductile iron EN-GJS-500-7
Pos.	Qty	Description	Material

### PRODUCT REFERENCE

VPI 4648-UX4	ACTUATOR TYPE
VPI 4648-U04	AUMA 400V 3 PH
VPI 4648-U24	AUMA 230V 1 PH



### DIMENSIONS

DN		A	B	L	n-M	ØK	Valve + actuator weight (kg)	
mm	inch						VPI4648-U04	VPI4648-U24
40	1 1/2	135	52	32,5	4-M16	110	5,5	5,5
50	2"	140	60	42,5	4-M16	125	6,1	6,1
65	2 1/2	150	70	45,5	4-M16	145	6,5	6,5
80	3"	156	91,6	45,5	8-M16	160	6,9	6,9
100	4"	169	90	51,5	8-M16	180	11,3	11,3
125	5"	190	105	55,5	8-M16	210	13,2	13,2
150	6"	200	120	55,5	8-M20	240	14,7	14,7
200	8"	224	158	59,5	8-M20	295	27,2	27,2
250	10"	265	197	67,5	12-M20	350	33,5	33,5
300	12"	303	230	77,5	12-M20	400	41,5	41,5

### WORKING CONDITIONS

Maximum working pressure : 16 bar.  
Maximum working temperature : -15°C / +130°C.  
Peak temperature: -30°C / +150°C

Sleeve types in option	Maximum temperature	Peak temperature
EPDM	+4°C / +110°C	-20°C / +130°C
White EPDM	+4°C / +110°C	-20°C / +130°C
CSM (Type Hypalon®)	+4°C / +80°C	-20°C / +110°C
FPM (Type Viton®)**	-10°C / +150°C	-20°C / +150°C
Silicone**	-20°C / +150°C	-40°C / +150°C
Nitrile (NBR)	-10°C / +80°C	-20°C / +90°C

\*\*Maximum value = limit temperature of epoxy coated disc : +150°C.

### ACTUATOR DIMENSIONS

DN	Product reference	Actuator reference		ØP	V1	V2	W1	W2	X	X1
DN40-65	VPI4648-U04	400V 3PH 50Hz	ED25	-	68	98	43	55	190	220
	VPI4648-U24	230V 1PH 50Hz	ED25	-	68	98	43	55	190	220
DN80	VPI4648-U04	400V 3PH 50Hz	ED50	-	68	98	43	55	190	220
	VPI4648-U24	230 V 1PH 50Hz	ED50	-	68	98	43	55	190	220
DN100-125	VPI4648-U04	400V 3PH 50Hz	EQ100	100	64	98	65	155	246	274
	VPI4648-U24	230 V 1PH 50Hz	EQ100	100	64	98	65	155	246	274
DN150	VPI4648-U04	400V 3PH 50Hz	EQ150	100	64	98	65	155	246	274
	VPI4648-U24	230 V 1PH 50Hz	EQ150	100	64	98	65	155	246	274
DN200	VPI4648-U04	400V 3PH 50Hz	EQ300	100	89	98	98	155	246	274
	VPI4648-U24	230 V 1PH 50Hz	EQ300	100	89	98	98	155	246	274
DN250-300	VPI4648-U04	400V 3PH 50Hz	EQ600	100	89	98	98	155	246	274
	VPI4648-U24	230 V 1PH 50Hz	EQ600	100	89	98	98	155	246	274

Maximum differential pressure: 16 bar

### STANDARDS

Manufacture according to the requirements of the European directive 2014/68/UE «Equipment under pressure»: modulate H. Face to face according to standards NF EN 558-1 serie 20, ISO 5752 série 20, DIN 3202.

Mounting with flanges PN10/PN16 from DN40 to DN150 and PN10 from DN200 to DN300: according to EN 1092-2.

Pressure test according to standards EN 12266-1, DIN 3230, BS 6755 and ISO 5208 :

Body: WP x 1.5 bar  
Seat : WP x 1.1 bar

**TECOFI France** - 83, Rue Marcel Mérieux 69960 Corbas - France  
Tél. +33 (0)4 72 79 05 79 - Fax +33 (0)4 78 90 19 19 / +33 (0)4 72 79 05 79  
Adresses e-mail: sales@tecofi.fr; tecofi@tecofi.fr / site web: www.tecofi.fr