

Ref. : VPI 4648-N03.pas

Rev. : Initial

Date : 20/06/2017

Page : 1/1

BUTTERFLY VALVE WITH DOUBLE ACTING PNEUMATIC ACTUATOR

VPI 4648-N03



APPLICATION

General use : water, compressed air, acids, etc.
"Non suitable for steam application"

GENERAL CHARACTERISTICS

Design according with BS EN 593.
Tightness in both ways. Lugged type with threaded ears.
Flexible sleeve adapted to the shape of the body assures low operating torque. High and low semi stem giving a high flow coefficient, machined disc on periphery giving a low and regular torque. Unejectable stem, mounting flange according to ISO 5211.

CONSTRUCTION

15	1	Pneumatic actuator	
14	1	Spacer	Aluminium
13	1	Rivet	Aluminium
12	1	Nameplate	Stainless steel 304
11	2	Circlips	65Mn
10	1	Bottom cover	Plastic
9	1	Bushing	Stainless steel 201 + F4
8	2	O ring	NBR
7	1	Antidust ring	NBR
6	1	Anti blowout ring	Stainless steel 201
5	1	Lower stem	Stainless steel 420
4	1	Upper stem	Stainless steel 420
3	1	Sleeve	EPDM CH
2	1	Disc**	Ductile iron EN-GJS-500-7
1	1	Body	Ductile iron EN-GJS-500-7
Pos.	Qty	Description	Material

DIMENSIONS

DN		A	B	C	ØK	nxM	Actuator reference	V	W	X	Weight (kg)
mm	inch										
40	1 1/2	135	52	33	110	4-M16	TDA052	146	67,5	112	3,5
50	2"	140	60	43	125	4-M16	TDA052	146	67,5	112	4,1
65	2 1/2	150	70	46	145	4-M16	TDA063	169	80,5	128	5,4
80	3"	156	86	46	160	8-M16	TDA063	169	80,5	128	6,5
100	4"	169	90	52	180	8-M16	TDA083	210	97	146	8,7
125	5"	190	105	56	210	8-M16	TDA083	210	97	146	12,2
150	6"	200	120	56	240	8-M20	TDA092	264	103	154	14,8
200	8"	224	158	60	295	8-M20	TDA125	302	135	207	28,4
250	10"	265	197	68	350	12-M20	TDA140	398	142	224	40,2
300	12"	303	230	78	400	12-M20	TDA160	456	161	249	56,4

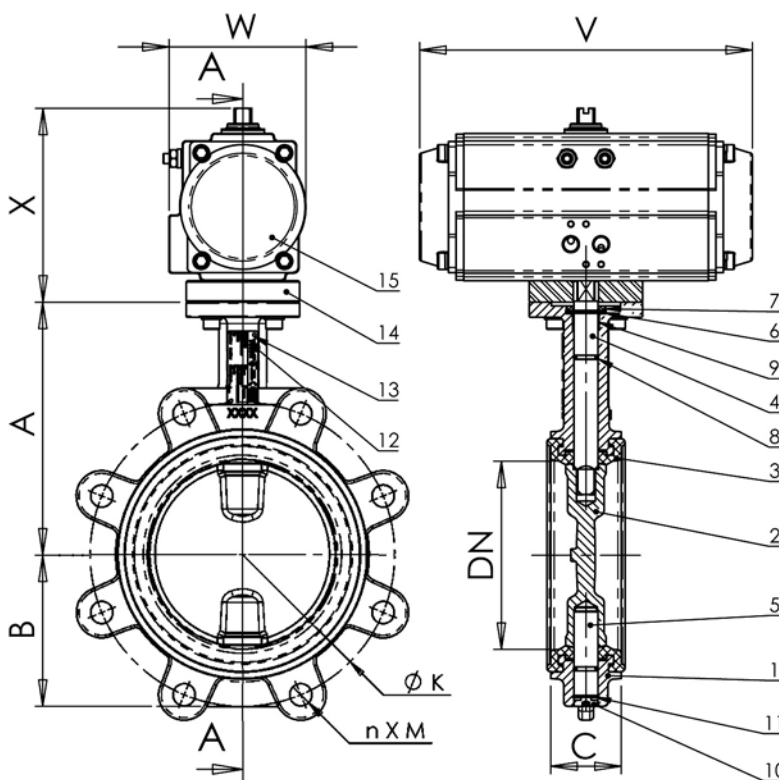
ΔP maxi = 10 bar and air supply pression 6 bar

WORKING CONDITIONS

Maximum working pressure : 16 bar.
Maximum working temperature : -15°C / +130°C.
Peak temperature: -30°C / +150°C

Sleeve types in option	Maximum temperature	Peak temperature
EPDM	+ 4°C / + 110°C	- 20°C / +130°C
White EPDM	+ 4°C / + 110°C	- 20°C / +130°C
CSM (Type Hypalon®)	+ 4°C / +80°C	- 20°C / +110°C
FPM (Type Viton®)**	- 10°C / +150°C	- 20°C / +150°C
Silicone**	- 20°C / +150°C	- 40°C / +150°C
Nitrile (NBR)	- 10°C / +80°C	- 20°C / +90°C

**Maximum value = limit temperature of epoxy coated disc : +150°C.



STANDARD

Manufacture according to the requirements of the European directive 2014/68/EU «Equipment under pressure»: modulate H. Face to face according to standards NF EN 558 serie 20, ISO 5752 série 20, DIN 3202.

Mounting with flanges PN10/16 from DN40 to DN150 and PN10 from DN200 to DN300: according to EN 1092-2.
Pressure test according to standards EN 12266-1, DIN 3230, BS 6755 and ISO 5208 :
Body : WP x 1.5 bar
Seat : WP x 1.1 bar

TECOFI France - 83, Rue Marcel Mérioux 69960 Corbas - France
Tél. +33 (0)4 72 79 05 79 - Fax +33 (0)4 78 90 19 19 / +33 (0)4 72 79 05 79
Adresses e-mail: sales@tecofi.fr; tecofi@tecofi.fr / site web: www.tecofi.fr