

Ref. : VPI 4648-08

Rev. : Initial

Date : 23/05/2017

Page : 1/1

BUTTERFLY VALVE WITH GEAR BOX

VPI 4648-08



APPLICATION

General use : water, compressed air, acids, etc.
"Non suitable for steam application"

GENERAL CHARACTERISTICS

Design according with BS EN 593.
Tightness in both ways. Lug type with threaded ears.
Flexible sleeve adapted to the shape of the body assures low operating torque. High and low semi stem giving a high flow coefficient, machined disc on periphery giving a low and regular torque. Unejectable stem, mounting flange according to ISO 5211.

CONSTRUCTION

14	1	Gear box	
13	1	Rivet	Aluminium
12	1	Nameplate	Stainless steel 304
11	2	Circlips	65Mn
10	1	Bottom cover	Plastic
9	1	Bushing	Stainless steel 201 + F4
8	2	O ring	NBR
7	1	Antidust ring	NBR
6	1	Anti blowout ring	Stainless steel 201
5	1	Lower stem	Stainless steel 420
4	1	Upper stem	Stainless steel 420
3	1	Sleeve	Heat EPDM
2	1	Disc **	Ductile iron EN-GJS-500-7
1	1	Body	Ductile iron EN-GJS-500-7
Pos.	Qty	Description	Material

DIMENSIONS

DN		A	B	C	X	ØV	ØK	nxM	L	Weight (kg)
mm	inch									
40	1 1/2	135	52	64	131,5	120	110	4-M16	32,5	4,93
50	2"	140	60	64	131,5	120	125	4-M16	42,5	5,53
65	2 1/2	150	70	64	131,5	120	145	4-M16	45,5	6,1
80	3"	156	91,6	64	131,5	120	160	8-M16	45,5	7,3
100	4"	169	90	64	131,5	120	180	8-M16	51,5	8,4
125	5"	190	105	64	131,5	120	210	8-M16	55,5	11,8
150	6"	200	120	64	131,5	120	240	8-M20	55,5	12,9
200	8"	224	158	64	206	200	295	8-M20	59,5	23,02
250	10"	265	197	64	206	200	350	12-M20	67,5	30,12
300	12"	303	230	64	206	200	400	12-M20	77,5	37,92

WORKING CONDITIONS

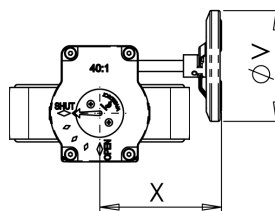
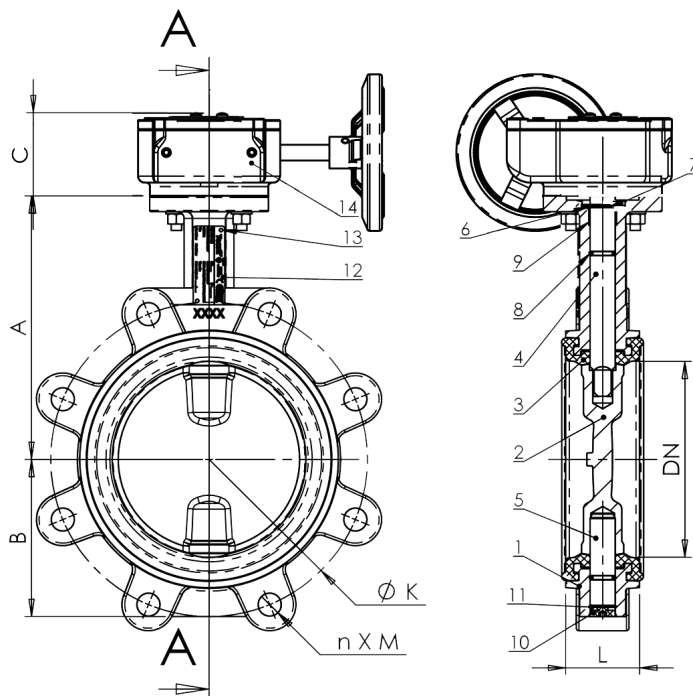
Maximum working pressure : 16 bar.

Maximum working temperature : -15°C / +130°C.

Peak temperature: -30°C / +150°C

Sleeve types in option	Maximum temperature	Peak temperature
EPDM	+ 4°C / + 110°C	- 20°C / +130°C
White EPDM	+ 4°C / + 110°C	- 20°C / +130°C
CSM (Type Hypalon®)	+ 4°C / +80°C	- 20°C / +110°C
FPM (Type Viton®) **	- 10°C / +150°C	- 20°C / +150°C
Silicone **	- 20°C / +150°C	- 40°C / +150°C
Nitril (NBR)	- 10°C / +80°C	- 20°C / +90°C

**Maximum value = limit temperature of epoxy coated disc : +150°C.



STANDARDS

Manufacture according to the requirements of the European directive 2014/68/EU «Equipment under pressure»: modulate H. Face to face according to standards NF EN 558 serie 20, ISO 5752 série 20, DIN 3202. Mounting between flanges PN10/16 from DN40 to DN150 and PN10 from DN200 to DN300 according to EN 1092-2. Pressure test according to standards EN 12266-1, DIN 3230, BS 6755 and ISO 5208 :
Body : WP x 1.5 bar
Seat : WP x 1.1 bar