

Ref. : VPI 4449-UX4 pas

Rev. : A

Date : 15/10/2018

Page : 1/1

# BUTTERFLY VALVE WITH ELECTRIC ACTUATOR

## VPI 4449-UX4



**Tecofi**  
VALVE DESIGNER - FRANCE

### APPLICATION

General use : water, pressurized air, acids, etc.  
"Non suitable for steam application"

### GENERAL CHARACTERISTICS

Design according with BS EN 593.  
Tightness in both ways. Wafer type with smooth ears.  
Flexible sleeve adapted to the shape of the body assures low operating torque. High and low semi stem giving a high flow coefficient, machined disc on periphery giving a low and regular torque. Unejectable stem, mounting flange according to ISO 5211.

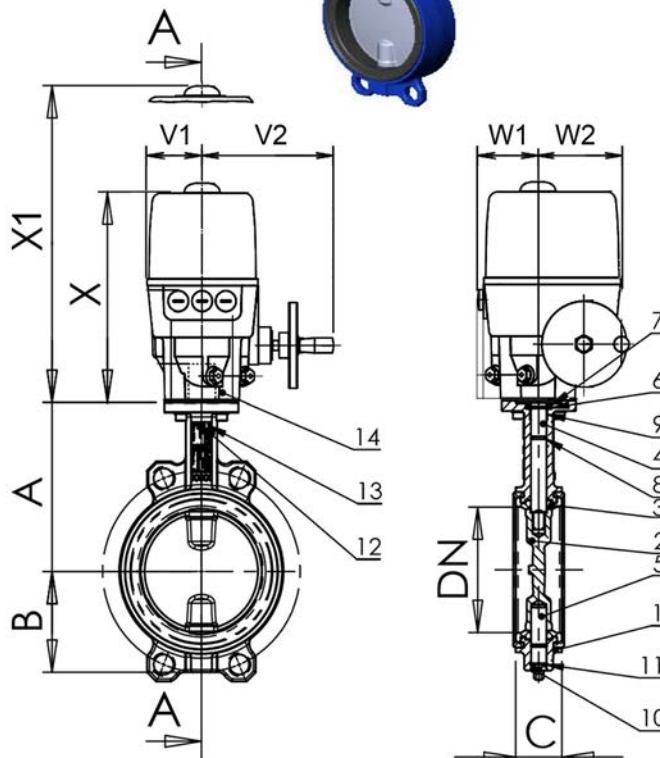
### PRODUCT REFERENCE

| VPI 4449-UX4 | ACTUATOR TYPE  |
|--------------|----------------|
| VPI 4449-U04 | AUMA 400V 3 PH |
| VPI 4449-U24 | AUMA 230V 1 PH |



### CONSTRUCTION

|      |     |                   |                           |
|------|-----|-------------------|---------------------------|
| 14   | 1   | Electric actuator |                           |
| 13   | 1   | Rivet             | Aluminium                 |
| 12   | 1   | Nameplate         | Stainless steel 304       |
| 11   | 2   | Circlips          | 65Mn                      |
| 10   | 1   | Bottom cover      | Plastic                   |
| 9    | 1   | Bushing           | Stainless steel 201 + F4  |
| 8    | 2   | O ring            | NBR                       |
| 7    | 1   | Antidust ring     | NBR                       |
| 6    | 1   | Anti blowout ring | Stainless steel 201       |
| 5    | 1   | Lower stem        | Stainless steel 420       |
| 4    | 1   | Upper stem        | Stainless steel 420       |
| 3    | 1   | Sleeve            | EPDM CH                   |
| 2    | 1   | Disc              | Stainless steel CF8M      |
| 1    | 1   | Body              | Ductile iron EN-GJS-500-7 |
| Pos. | Qty | Description       | Material                  |



### DIMENSIONS

| DN  | mm    | inch | A    | B    | C     | Valve + actuator weight (kg) |              |
|-----|-------|------|------|------|-------|------------------------------|--------------|
|     |       |      |      |      |       | VPI 4449-U04                 | VPI 4449-U24 |
| 40  | 1 1/2 | 135  | 52   | 32,5 | 5,50  | 5,50                         |              |
| 50  | 2"    | 140  | 60   | 42,5 | 6,10  | 6,10                         |              |
| 65  | 2 1/2 | 150  | 70   | 45,5 | 6,50  | 6,50                         |              |
| 80  | 3"    | 156  | 91,6 | 45,5 | 6,90  | 6,90                         |              |
| 100 | 4"    | 169  | 90   | 51,5 | 11,30 | 11,30                        |              |
| 125 | 5"    | 190  | 105  | 55,5 | 13,20 | 13,20                        |              |
| 150 | 6"    | 200  | 120  | 55,5 | 14,70 | 14,70                        |              |
| 200 | 8"    | 224  | 158  | 59,5 | 27,20 | 27,20                        |              |
| 250 | 10"   | 265  | 197  | 67,5 | 33,50 | 33,50                        |              |
| 300 | 12"   | 303  | 230  | 77,5 | 41,50 | 41,50                        |              |

### ACTUATOR DIMENSIONS

| DN        | Product reference | Actuator reference | ØP    | V1  | V2 | W1 | W2 | X   | X1  |     |
|-----------|-------------------|--------------------|-------|-----|----|----|----|-----|-----|-----|
| DN40-65   | VPI4449-U04       | 400V 3PH 50Hz      | ED25  | -   | 68 | 98 | 43 | 55  | 190 | 220 |
|           | VPI4449-U24       | 230V 1PH 50Hz      | ED25  | -   | 68 | 98 | 43 | 55  | 190 | 220 |
| DN80      | VPI4449-U04       | 400V 3PH 50Hz      | ED50  | -   | 68 | 98 | 43 | 55  | 190 | 220 |
|           | VPI4449-U24       | 230 V 1PH 50Hz     | ED50  | -   | 68 | 98 | 43 | 55  | 190 | 220 |
| DN100-125 | VPI4449-U04       | 400V 3PH 50Hz      | EQ100 | 100 | 64 | 98 | 65 | 155 | 246 | 274 |
|           | VPI4449-U24       | 230 V 1PH 50Hz     | EQ100 | 100 | 64 | 98 | 65 | 155 | 246 | 274 |
| DN150     | VPI4449-U04       | 400V 3PH 50Hz      | EQ150 | 100 | 64 | 98 | 65 | 155 | 246 | 274 |
|           | VPI4449-U24       | 230 V 1PH 50Hz     | EQ150 | 100 | 64 | 98 | 65 | 155 | 246 | 274 |
| DN200     | VPI4449-U04       | 400V 3PH 50Hz      | EQ300 | 100 | 89 | 98 | 98 | 155 | 246 | 274 |
|           | VPI4449-U24       | 230 V 1PH 50Hz     | EQ300 | 100 | 89 | 98 | 98 | 155 | 246 | 274 |
| DN250-300 | VPI4449-U04       | 400V 3PH 50Hz      | EQ600 | 100 | 89 | 98 | 98 | 155 | 246 | 274 |
|           | VPI4449-U24       | 230 V 1PH 50Hz     | EQ600 | 100 | 89 | 98 | 98 | 155 | 246 | 274 |

Maximum differential pressure: 16 bar

### WORKING CONDITIONS

Maximum working pressure : 16 bar.  
Maximum working temperature : -15°C / +130°C.  
Peak temperature: -30°C / +150°C

| Tightness in option | Maximum temperature | Peak temperature |
|---------------------|---------------------|------------------|
| EPDM                | +4°C / +110°C       | -20°C / +130°C   |
| White EPDM          | +4°C / +110°C       | -20°C / +130°C   |
| CSM (Type Hypalon®) | +4°C / +80°C        | -20°C / +110°C   |
| FPM (Type Viton®)   | -10°C / +150°C      | -20°C / +150°C   |
| Silicone            | -20°C / +150°C      | -40°C / +150°C   |
| Nitrile (NBR)       | -10°C / +80°C       | -20°C / +90°C    |

### STANDARDS

Manufacture according to the requirements of the European directive 2014/68/UE «Equipment under pressure»: modulate H. Face to face according to standards NF EN 558-1 serie 20, ISO 5752 série 20, DIN 3202.  
Mounting between flanges PN 10 / PN 16: according to EN 1092-2, BS 450, ANSI B16.1-5.  
Adjustable between flanges ASME B16.5 Class 150 and JIS 10K.  
Pressure test according to standards EN 12266-1, DIN 3230, BS 6755 and ISO 5208 :  
Body : 24 bar  
Seat : 17.6 bar

**TECOFI France** - 83, Rue Marcel Mérieux 69960 Corbas - France  
Tél. +33 (0)4 72 79 05 79 - Fax +33 (0)4 78 90 19 19 / +33 (0)4 72 79 05 79  
Adresses e-mail: sales@tecofi.fr; tecofi@tecofi.fr / site web: www.tecofi.fr