

Ref. : VPI 4449-NX4 pas

Rev. : Initial

Date : 13/04/2018

Page : 1/1

# BUTTERFLY VALVE WITH ELECTRIC ACTUATOR

## VPI 4449-NX4



### APPLICATION

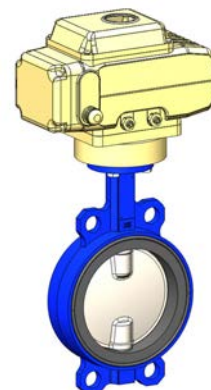
General use : water, pressurized air, acids, etc.  
"Non suitable for steam application"

### GENERAL CHARACTERISTICS

Design according with BS EN 593.  
Tightness in both ways. Wafer type with smooth ears.  
Flexible sleeve adapted to the shape of the body assures low operating torque. High and low semi stem giving a high flow coefficient, machined disc on periphery giving a low and regular torque. Unejectable stem, mounting flange according to ISO 5211.

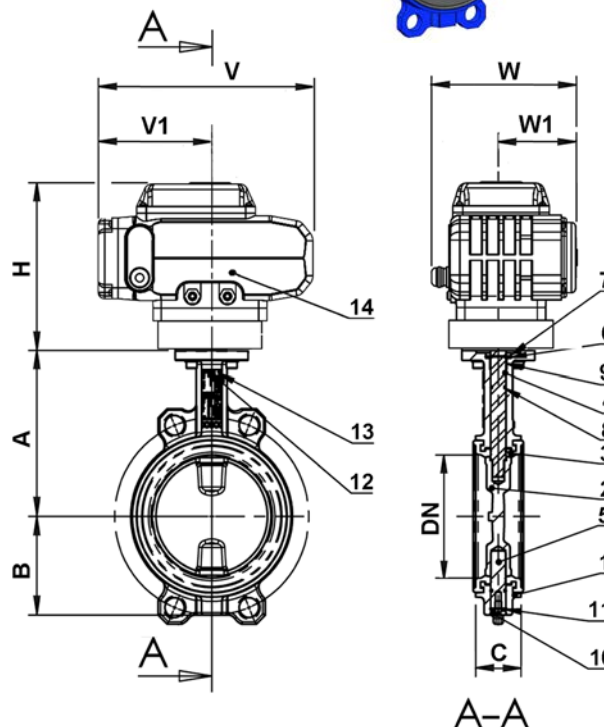
### PRODUCT REFERENCE

VPI 4449-NX4	ACTUATOR TYPE
VPI 4449-N04	400V 3 PH
VPI 4449-N24	230V 1 PH



### CONSTRUCTION

Pos.	Qty	Description	Material
14	1	Electric actuator	
13	1	Rivet	Aluminium
12	1	Nameplate	Stainless steel 304
11	2	Circlips	65Mn
10	1	Bottom cover	Plastic
9	1	Bushing	Stainless steel 201 + F4
8	2	O ring	NBR
7	1	Antidust ring	NBR
6	1	Anti blowout ring	Stainless steel 201
5	1	Lower stem	Stainless steel 420
4	1	Upper stem	Stainless steel 420
3	1	Sleeve	EPDM CH
2	1	Disc	Stainless steel CF8M
1	1	Body	Ductile iron EN-GJS-500-7



### DIMENSIONS

DN	A	B	C	Valve + actuator weight (kg)	
				VPI4449-N04	VPI4449-N24
40*	135	52	32,5	3,70	3,70
50	140	60	42,5	4,30	4,30
65	150	70	45,5	4,70	4,70
80	156	91,6	45,5	5,10	5,10
100	169	90	51,5	7,38	7,38
125	190	105	55,5	9,70	9,70
150	200	120	55,5	14,20	14,20
200	224	158	59,5	20,00	20,00
250	265	197	67,5	26,30	26,30
300	303	230	77,5	34,30	34,30

\*Adaptable entre brides DN32

### WORKING CONDITIONS

Maximum working pressure : 16 bar.  
Maximum working temperature : -15°C / +130°C.  
Peak temperature : -30°C / +150°C

Sleeve types in option	Maximum temperature	Peak temperature
EPDM	+ 4°C / + 110°C	- 20°C / +130°C
White EPDM	+ 4°C / + 110°C	- 20°C / +130°C
CSM (Type Hypalon®)	+ 4°C / +80°C	- 20°C / +110°C
FPM (Type Viton®) **	- 10°C / +150°C	- 20°C / +150°C
Silicone**	- 20°C / +150°C	- 40°C / +150°C
Nitril (NBR)	- 10°C / +80°C	- 20°C / +90°C

### ACTUATOR DIMENSIONS

DN	Product reference	Actuator reference	H	V	V1	W	W1	
DN40-80	VPI4449-N04	TEA05N04	400V 3PH 50Hz	125	160	77	137	74
	VPI4449-N24	TEA05N24	230V 1PH 50Hz	125	160	77	137	74
DN100-125	VPI4449-N04	TEA10N04	400V 3PH 50Hz	160	208	110	145	74
	VPI4449-N24	TEA10N24	230V 1PH 50Hz	160	208	110	145	74
DN150	VPI4449-N04	TEA20N04	400V 3PH 50Hz	196	258	137	170	75
	VPI4449-N24	TEA20N24	230V 1PH 50Hz	196	258	137	170	75
DN200	VPI4449-N04	TEA40N04	400V 3PH 50Hz	196	258	137	170	75
	VPI4449-N24	TEA40N24	230V 1PH 50Hz	196	258	137	170	75
DN250-300	VPI4449-N04	TEA60N04	400V 3PH 50Hz	196	258	137	170	75
	VPI4449-N24	TEA60N24	230V 1PH 50Hz	196	258	137	170	75

Maximum differential pressure : 16 bar

### STANDARDS

Manufacture according to the requirements of the European directive 2014/68/EU «Equipment under pressure»: modulate H. Face to face according to standards NF EN 558 serie 20, ISO 5752 série 20, DIN 3202.

Mounting between flanges PN 10 / PN 16: according to EN 1092-2, BS 450, ANSI B16.1-5.

Adjustable between flanges ASME B16.5 Class 150 and JIS 10K.  
Pressure test according to standards EN 12266-1, DIN 3230, BS 6755 and ISO 5208 :

Body: 24 bar  
Seat: 17.6 bar

**TECOFI France** - 83, Rue Marcel Mérieux 69960 Corbas - France  
Tél. +33 (0)4 72 79 05 79 - Fax +33 (0)4 78 90 19 19 / +33 (0)4 72 79 05 79  
Adresses e-mail: sales@tecofi.fr; tecofi@tecofi.fr / site web: www.tecofi.fr