

Ref. : VPI 4449 pas

Rev. : Initial

Date : 22/09/2016

Page : 1/1

BUTTERFLY VALVE WITH DOUBLE ACTING PNEUMATIC ACTUATOR

VPI 4449-N03



APPLICATION

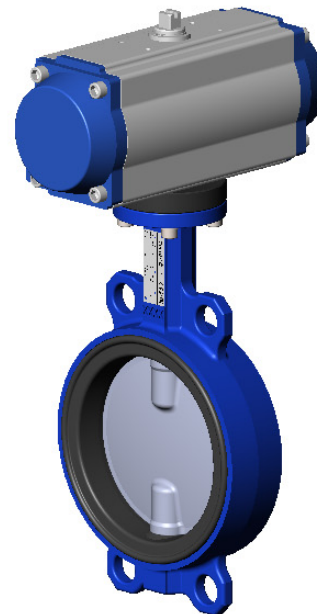
General use : water, sea water, pressurized air, acids, etc.
"Non suitable for steam application"

GENERAL CHARACTERISTICS

Design according with BS EN 593.
Tightness in both ways. Wafer type with smooth ears.
Flexible sleeve adapted to the shape of the body assures low operating torque. High and low semi stem giving a high flow coefficient, machined disc on periphery giving a low and regular torque. Unejectable stem, mounting flange according to ISO 5211.

CONSTRUCTION

15	1	DA pneumatic actuator	
14	1	Spacer	Aluminium
13	1	Rivet	Aluminium
12	1	Nameplate	Stainless steel 304
11	2	Circlips	65Mn
10	1	Bottom cover	Plastic
9	1	Bushing	Stainless steel 201 + F4
8	2	O ring	NBR
7	1	Antidust ring	NBR
6	1	Anti blowout ring	Stainless steel 201
5	1	Lower stem	Stainless steel 420
4	1	Upper stem	Stainless steel 420
3	1	Sleeve	EPDM CH
2	1	Disc	Stainless steel CF8M
1	1	Body	Ductile iron EN-GJS-500-7
Pos.	Qty	Description	Material



DIMENSIONS

DN		A	B	C	Actuator reference	V	W	X	Weight (kg)
mm	inch								
40	1 1/2	135	52	32,5	TDA052	146	67,5	112	3,1
50	2"	140	60	42,5	TDA052	146	67,5	112	3,7
65	2 1/2	150	70	45,5	TDA063	169	80,5	128	4,7
80	3"	156	91,6	45,5	TDA063	169	80,5	128	5,1
100	4"	169	90	51,5	TDA083	210	97	146	7,1
125	5"	190	105	55,5	TDA083	210	97	146	9,1
150	6"	200	120	55,5	TDA092	264	103	154	12
200	8"	224	158	59,5	TDA125	302	134,5	207	21,8
250	10"	265	197	67,5	TDA140	398	142	224	32,4
300	12"	303	230	77,5	TDA160	456	161	249	47,3

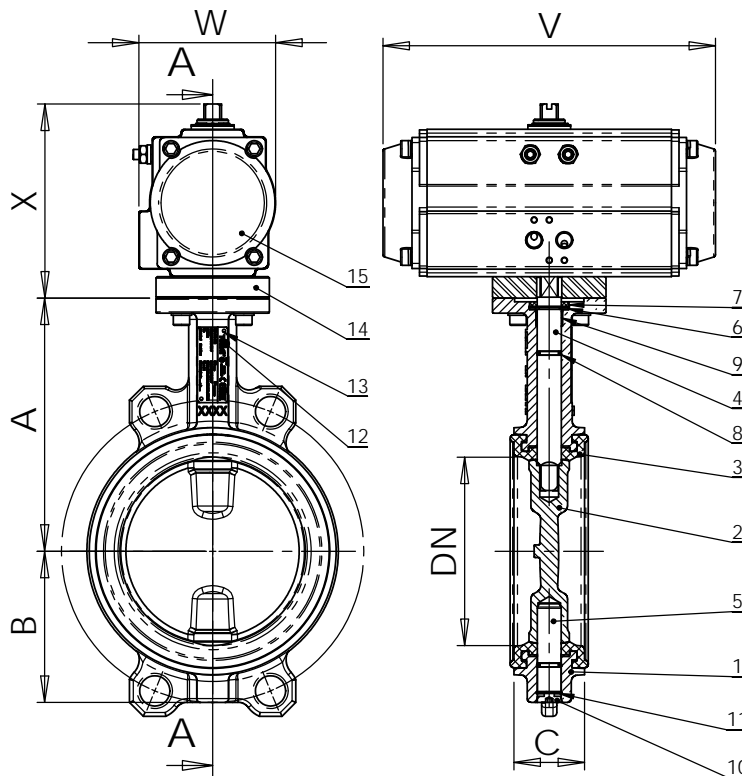
ΔP maxi = 16 bar and air supply pression 6 bar

* Can be installed between DN32 flanges

WORKING CONDITIONS

Maximum working pressure : 16 bar.
Maximum working temperature : -15°C / +130°C.
Peak temperature: -30°C / +150°C

Sleeve types in option	Maximum temperature	Peak temperature
EPDM	+ 4°C / + 110°C	-20°C / +130°C
White EPDM	+ 4°C / + 110°C	-20°C / +130°C
CSM (Type Hypalon®)	+ 4°C / +80°C	-20°C / +110°C
FPM (Type Viton®)	- 10°C / +170°C	-20°C / +200°C
Silicone	-20°C / +170°C	-40°C / +200°C
Nitril (NBR)	- 10°C / +80°C	-20°C / +90°C



STANDARDS

Manufacture according to the requirements of the European directive 2014/68/EU «Equipment under pressure»: modulate H. Face to face according to standards NF EN 558 serie 20, ISO 5752 série 20, DIN 3202.

Mounting between flanges PN 10 / PN 16: according to EN 1092-2, BS 450, ANSI B16.1-5.

Adjustable between flanges ASME B16.5 Class 150 and JIS 10K. Pressure test according to standards EN 12266-1, DIN 3230, BS 6755 and ISO 5208 :

Body: 24 bar
Seat: 17.6 bar

TECOFI France - 83, Rue Marcel Mérieux 69960 Corbas - France
Tél. +33 (0)4 72 79 05 79 - Fax +33 (0)4 78 90 19 19 / +33 (0)4 72 79 05 79
Adresses e-mail: sales@tecofi.fr; tecofi@tecofi.fr / site web: www.tecofi.fr