

Ref. : VPI 4448-UX4 pas

Rev. : A

Date : 09/10/2018

Page : 1/1

# BUTTERFLY VALVE WITH ELECTRIC ACTUATOR

## VPI 4448-UX4



### APPLICATION

General use : water, pressurized air, acids, etc.  
"Non suitable for steam application"

### GENERAL CHARACTERISTICS

Design according with BS EN 593.  
Tightness in both ways. Wafer type with smooth ears.  
Flexible sleeve adapted to the shape of the body assures low operating torque. High and low semi stem giving a high flow coefficient, machined disc on periphery giving a low and regular torque. Unejectable stem, mounting flange according to ISO 5211.

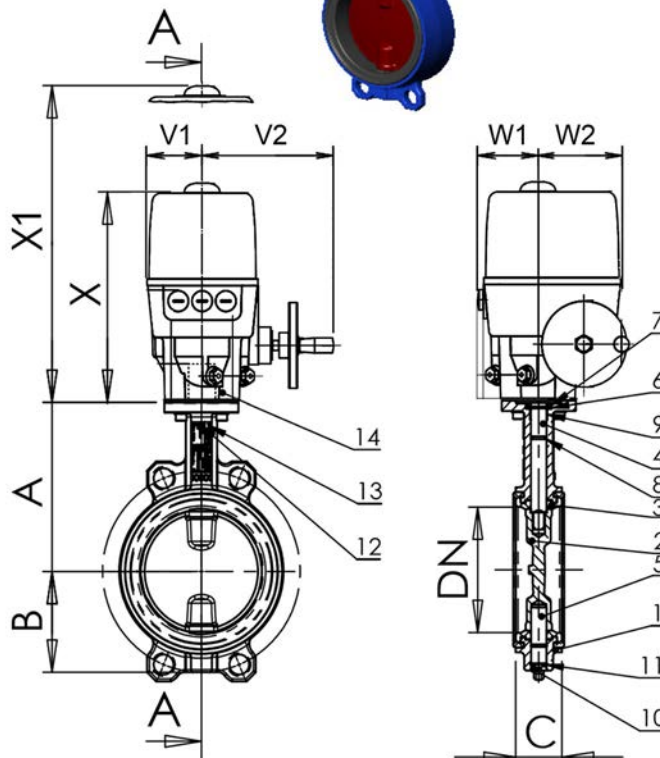
### PRODUCT REFERENCE

VPI 4448-UX4	ACTUATOR TYPE
VPI 4448-U04	AUMA 400V 3 PH
VPI 4448-U24	AUMA 230V 1 PH



### CONSTRUCTION

14	1	Electric actuator	
13	1	Rivet	Aluminium
12	1	Nameplate	Stainless steel 304
11	2	Circlips	65Mn
10	1	Bottom cover	Plastic
9	1	Bushing	Stainless steel 201 + F4
8	2	O ring	NBR
7	1	Antidust ring	NBR
6	1	Anti blowout ring	Stainless steel 201
5	1	Lower stem	Stainless steel 420
4	1	Upper stem	Stainless steel 420
3	1	Sleeve	EPDM CH
2	1	Disc	Ductile iron EN-GJS-500-7
1	1	Body	Ductile iron EN-GJS-500-7
<b>Pos.</b>	<b>Qty</b>	<b>Description</b>	<b>Material</b>



### DIMENSIONS

DN	A	B	C	Valve + actuator weight (kg)	
				VPI 4448-U04	VPI 4448-U24
40	135	52	32,5	5,50	5,50
50	140	60	42,5	6,10	6,10
65	150	70	45,5	6,50	6,50
80	156	91,6	45,5	6,90	6,90
100	169	90	51,5	11,30	11,30
125	190	105	55,5	13,20	13,20
150	200	120	55,5	14,70	14,70
200	224	158	59,5	27,20	27,20
250	265	197	67,5	33,50	33,50
300	303	230	77,5	41,50	41,50

### ACTUATOR DIMENSIONS

DN	Product reference	Actuator reference	ØP	V1	V2	W1	W2	X	X1	
DN40-65	VPI4448-U04	400V 3PH 50Hz	ED25	-	68	98	43	55	190	220
	VPI4448-U24	230V 1PH 50Hz	ED25	-	68	98	43	55	190	220
DN80	VPI4448-U04	400V 3PH 50Hz	ED50	-	68	98	43	55	190	220
	VPI4448-U24	230 V 1PH 50Hz	ED50	-	68	98	43	55	190	220
DN100-125	VPI4448-U04	400V 3PH 50Hz	EQ100	100	64	98	65	155	246	274
	VPI4448-U24	230 V 1PH 50Hz	EQ100	100	64	98	65	155	246	274
DN150	VPI4448-U04	400V 3PH 50Hz	EQ150	100	64	98	65	155	246	274
	VPI4448-U24	230 V 1PH 50Hz	EQ150	100	64	98	65	155	246	274
DN200	VPI4448-U04	400V 3PH 50Hz	EQ300	100	89	98	98	155	246	274
	VPI4448-U24	230 V 1PH 50Hz	EQ300	100	89	98	98	155	246	274
DN250-300	VPI4448-U04	400V 3PH 50Hz	EQ600	100	89	98	98	155	246	274
	VPI4448-U24	230 V 1PH 50Hz	EQ600	100	89	98	98	155	246	274

Maximum differential pressure: 16 bar

### WORKING CONDITIONS

Maximum working pressure : 16 bar.  
Maximum working temperature : -15°C / +130°C.  
Peak temperature: -30°C / +150°C

Tightness in option	Maximum temperature	Peak temperature
EPDM	+4°C / +110°C	-20°C / +130°C
White EPDM	+4°C / +110°C	-20°C / +130°C
CSM (Type Hypalon®)	+4°C / +80°C	-20°C / +110°C
FPM (Type Viton®)**	-10°C / +150°C	-20°C / +150°C
Silicone**	-20°C / +150°C	-40°C / +150°C
Nitrile (NBR)	-10°C / +80°C	-20°C / +90°C

\*\* Maximum value = limit temperature of epoxy coated disc : +150°C.

### STANDARDS

Manufacture according to the requirements of the European directive 2014/68/UE «Equipment under pressure»: modulate H. Face to face according to standards NF EN 558-1 serie 20, ISO 5752 série 20, DIN 3202.  
Mounting between flanges PN 10 / PN 16: according to EN 1092-2, BS 450, ANSI B16.1-5.  
Adjustable between flanges ASME B16.5 Class 150 and JIS 10K.  
Pressure test according to standards EN 12266-1, DIN 3230, BS 6755 and ISO 5208 :  
Body : 24 bar  
Seat : 17.6 bar

**TECOFI France** - 83, Rue Marcel Mérieux 69960 Corbas - France  
Tél. +33 (0)4 72 79 05 79 - Fax +33 (0)4 78 90 19 19 / +33 (0)4 72 79 05 79  
Adresses e-mail: sales@tecofi.fr; tecofi@tecofi.fr / site web: www.tecofi.fr