

Ref. : VPI 4448-N07.pas

Rev. : Initial

Date : 21/09/2016

Page : 1/1

BUTTERFLY VALVE WITH SINGLE ACTING PNEUMATIC ACTUATOR

VPI 4448-N07



APPLICATION

General use : water, pressurized air, acids, etc.
"Non suitable for steam application"

GENERAL CHARACTERISTICS

Design according with BS EN 593.
Tightness in both ways. Wafer type with smooth ears.
Flexible sleeve adapted to the shape of the body assures low operating torque. High and low semi stem giving a high flow coefficient, machined disc on periphery giving a low and regular torque. Unejectable stem, mounting flange according to ISO 5211.

CONSTRUCTION

| | | | |
|------|-----|-------------------------|---------------------------|
| 15 | 1 | Pneumatic actuator SE | |
| 14 | 1 | Spacer :DN40-125; DN200 | Aluminium |
| | | Yoke : DN150; DN250-300 | Stainless steel 304 |
| 13 | 1 | Rivet | Aluminium |
| 12 | 1 | Nameplate | Stainless steel 304 |
| 11 | 2 | Circlips | 65Mn |
| 10 | 1 | Bottom cover | Plastic |
| 9 | 1 | Bushing | Stainless steel 201 + F4 |
| 8 | 2 | O ring | NBR |
| 7 | 1 | Antidust ring | NBR |
| 6 | 1 | Anti blowout ring | Stainless steel 201 |
| 5 | 1 | Lower stem | Stainless steel 420 |
| 4 | 1 | Upper stem | Stainless steel 420 |
| 3 | 1 | Sleeve | EPDM CH |
| 2 | 1 | Disc | Ductile iron EN-GJS-500-7 |
| 1 | 1 | Body | Ductile iron EN-GJS-500-7 |
| Pos. | Qty | Description | Material |

DIMENSIONS

| DN | | A | B | L | Actuator reference | V | W | X | Weight (kg) |
|------|-------|-----|------|------|--------------------|-----|-------|-----|-------------|
| mm | inch | | | | | | | | |
| 40 * | 1 1/2 | 135 | 52 | 32,5 | TSR063 | 169 | 80,5 | 128 | 3,8 |
| 50 | 2" | 140 | 60 | 42,5 | TSR063 | 169 | 80,5 | 128 | 4,4 |
| 65 | 2 1/2 | 150 | 70 | 45,5 | TSR083 | 210 | 97 | 149 | 6,3 |
| 80 | 3" | 156 | 91,6 | 45,5 | TSR092 | 264 | 103 | 157 | 8,3 |
| 100 | 4" | 169 | 90 | 51,5 | TSR105 | 272 | 116 | 170 | 10,8 |
| 125 | 5" | 190 | 105 | 55,5 | TSR125 | 302 | 134,5 | 202 | 16,1 |
| 150 | 6" | 200 | 120 | 55,5 | TSR140 | 398 | 142 | 282 | 25 |
| 200 | 8" | 224 | 158 | 59,5 | TSR160 | 456 | 161 | 249 | 37 |
| 250 | 10" | 265 | 197 | 67,5 | TSR190 | 534 | 189 | 330 | 57,4 |
| 300 | 12" | 303 | 230 | 77,5 | TSR210 | 536 | 210 | 355 | 85 |

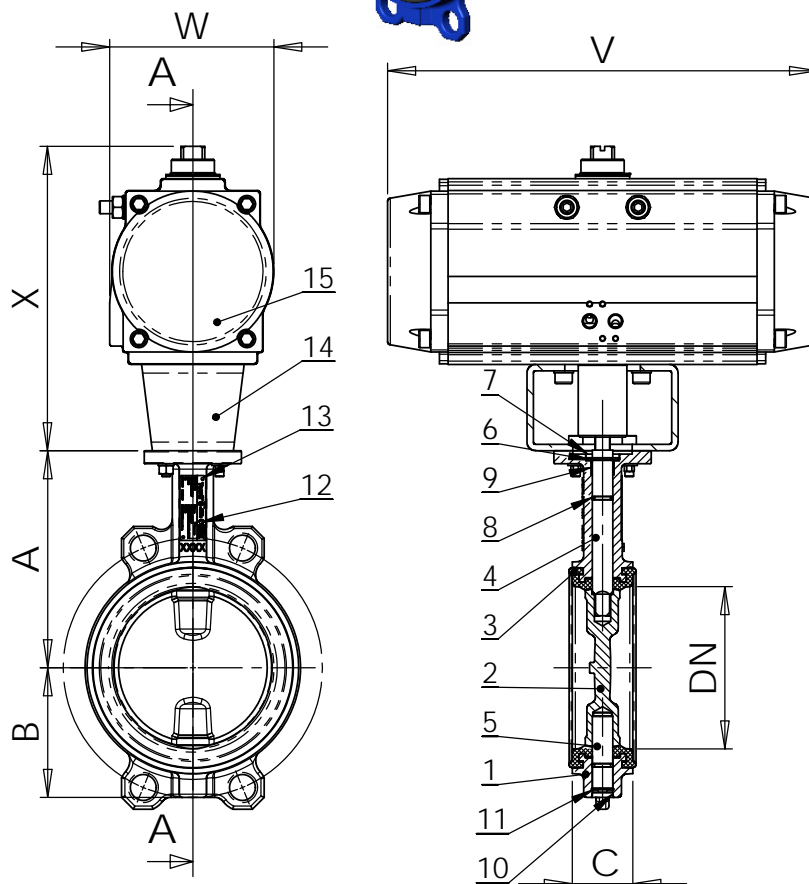
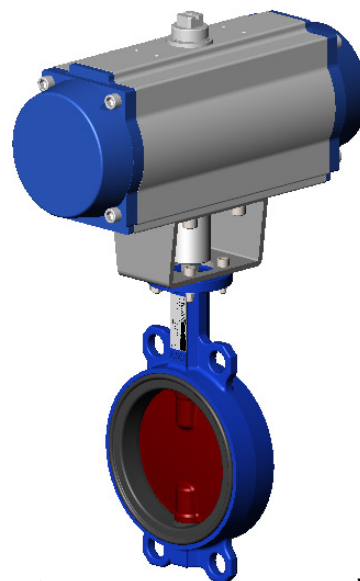
ΔP maxi = 16 bar and air supply pression 6 bar
* Can be installed between DN32 flanges

WORKING CONDITIONS

Maximum working pressure : 16 bar.
Maximum working temperature : -15°C / +130°C.
Peak temperature: -30°C / +150°C

| Sleeve types in option | Maximum temperature | Peak temperature |
|------------------------|---------------------|------------------|
| EPDM | + 4°C / + 110°C | - 20°C / +130°C |
| White EPDM | + 4°C / + 110°C | - 20°C / +130°C |
| CSM (Type Hypalon®) | + 4°C / +80°C | - 20°C / +110°C |
| FPM (Type Viton®) ** | - 10°C / +150°C | - 20°C / +150°C |
| Silicone ** | - 20°C / +150°C | - 40°C / +150°C |
| Nitrile (NBR) | - 10°C / +80°C | - 20°C / +90°C |

**Maximum value = limit temperature of epoxy coated disc - 150°C



STANDARD

Manufacture according to the requirements of the European directive 2014/68/EU «Equipment under pressure»: modulate H. Face to face according to standards NF EN 558 serie 20, ISO 5752 série 20, DIN 3202.

Mounting between flanges PN 10 / PN 16: according to EN 1092-2, BS 450, ANSI B16.1-5.

Adjustable between flanges ASME B16.5 Class 150 and JIS 10K. Pressure test according to standards EN 12266-1, DIN 3230, BS 6755 and ISO 5208 :

Body: 24 bar
Seat: 17.6 bar

TECOFI France - 83, Rue Marcel Mérioux 69960 Corbas - France
Tél. +33 (0)4 72 79 05 79 - Fax +33 (0)4 78 90 19 19 / +33 (0)4 72 79 05 79
Adresses e-mail: sales@tecofi.fr; tecofi@tecofi.fr / site web: www.tecofi.fr