

Ref. : VPI 4448-BX4 pas

Rev. : C

Date : 21/09/2016

Page : 1/1

# BUTTERFLY VALVE WITH ELECTRIC ACTUATOR

## VPI 4448-BX4



### APPLICATION

General use : water, pressurized air, acids, etc.  
"Non suitable for steam application"

### PRODUCT REFERENCE

VPI 4448-BX4	ACTUATOR TYPE
VPI 4448-B04	BERNARD 400V 3 PH
VPI 4448-B24	BERNARD 230V 1 PH

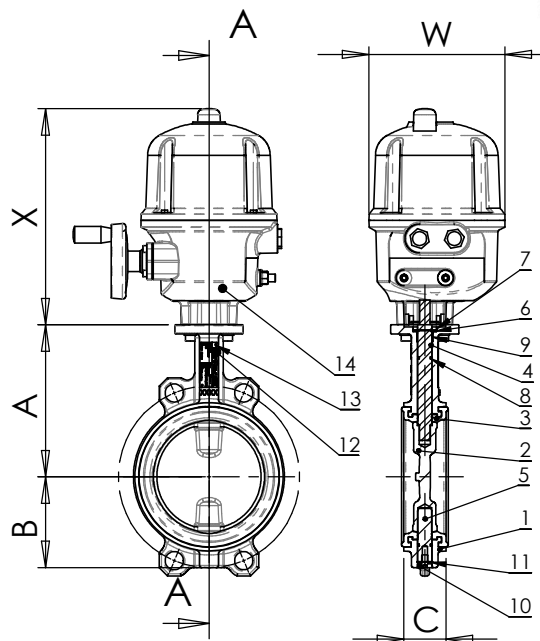
### GENERAL CHARACTERISTICS

Design according with BS EN 593.  
Tightness in both ways. Wafer type with smooth ears.  
Flexible sleeve adapted to the shape of the body assures low operating torque. High and low semi stem giving a high flow coefficient, machined disc on periphery giving a low and regular torque. Unejectable stem, mounting flange according to ISO 5211.



### CONSTRUCTION

14	1	Electric actuator	
13	1	Rivet	Aluminium
12	1	Nameplate	Stainless steel 304
11	2	Circlips	65Mn
10	1	Bottom cover	Plastic
9	1	Bushing	Stainless steel 201 + F4
8	2	O ring	NBR
7	1	Antidust ring	NBR
6	1	Anti blowout ring	Stainless steel 201
5	1	Lower stem	Stainless steel 420
4	1	Upper stem	Stainless steel 420
3	1	Sleeve	EPDM CH
2	1	Disc	Ductile iron EN-GJS-500-7
1	1	Body	Ductile iron EN-GJS-500-7
Pos.	Qty	Description	Material



### DIMENSIONS

DN		A	B	C	Valve + actuator weight (kg)
mm	inch				VPI4448-BX4
40*	1 1/2	135	52	32,5	11,50
50	2"	140	60	42,5	12,10
65	2 1/2	150	70	45,5	12,50
80	3"	156	91,6	45,5	12,90
100	4"	169	90	51,5	13,80
125	5"	190	105	55,5	15,70
150	6"	200	120	55,5	17,20
200	8"	224	158	59,5	27,20
250	10"	265	197	67,5	33,50
300	12"	303	230	77,5	36,50

\*Can be installed between DN32 flanges

### ACTUATOR DIMENSIONS

DN	DN	Actuator reference	ØP	V	W	X	
DN40-80	VPI4448-B04	AQ5-B04C9TOR16S	400V 3PH 50Hz	100	280	184	286
	VPI4448-B24	AQ5-B24C9TOR16S	230V 1PH 50Hz	100	280	184	286
DN100-125	VPI4448-B04	AQ10-B04C11TOR25S	400V 3PH 50Hz	100	280	184	286
	VPI4448-B24	AQ10-B24C11TOR25S	230V 1PH 50Hz	100	280	184	286
DN150	VPI4448-B04	AQ15-B04C14TOR30S	400V 3PH 50Hz	100	280	184	286
	VPI4448-B24	AQ15-B24C14TOR30S	230V 1PH 50Hz	100	280	184	286
DN200	VPI4448-B04	AQ30-B04C17TOR35S	400V 3PH 50Hz	160	430	224	328
	VPI4448-B24	AQ30-B24C17TOR35S	230V 1PH 50Hz	160	430	224	328
DN250	VPI4448-B04	AQ50-B04C22TOR35S	400V 3PH 50Hz	200	430	224	328
	VPI4448-B24	AQ50-B24C22TOR35S	230V 1PH 50Hz	200	430	224	328
DN300	VPI4448-B04	SQ60-B04C22TOR60S	400V 3PH 50Hz	250	528	313	180
	VPI4448-B24	SQ60-B24C22TOR60S	230V 1PH 50Hz	250	528	313	180

Maximum differential pressure: 16bar

### WORKING CONDITIONS

Maximum working pressure : 16 bar  
10 bar for silicon and FPM  
Maximum working temperature : -15°C / +130°C.  
Peak temperature : -30°C / +150°C

Sleeve types in option	Maximum temperature	Peak temperature
EPDM	+4°C / +110°C	-20°C / +130°C
White EPDM	+4°C / +110°C	-20°C / +130°C
CSM (Type Hypalon®)	+4°C / +80°C	-20°C / +110°C
FPM (Type Viton®)**	-10°C / +150°C	-20°C / +150°C
Silicone**	-20°C / +150°C	-40°C / +150°C
Nitril (NBR)	-10°C / +80°C	-20°C / +90°C

\*\* Maximum value = limit temperature of epoxy coated disc : +150°C.

### STANDARDS

Manufacture according to the requirements of the European directive 2014/68/EU «Equipment under pressure»: modulate H. Face to face according to standards NF EN 558 serie 20, ISO 5752 série 20, DIN 3202.

Mounting between flanges PN 10 / PN 16: according to EN 1092-2, BS 450, ANSI B16.1-5.

Adjustable between flanges ASME B16.5 Class 150 and JIS 10K.

Pressure test according to standards EN 12266-1, DIN 3230, BS 6755 and ISO 5208 :

Body: 24 bar  
Seat: 17.6 bar

TECOFI France - 83, Rue Marcel Mérieux 69960 Corbas - France  
Tél. +33 (0)4 72 79 05 79 - Fax +33 (0)4 78 90 19 19 / +33 (0)4 72 79 05 79  
Adresses e-mail: sales@tecofi.fr; tecofi@tecofi.fr / site web: www.tecofi.fr