

Ref. : VPI 4448 -08 pas

Rev. : C

Date : 22/05/2019

Page : 1/1

BUTTERFLY VALVE WITH GEARBOX

VPI 4448-08



APPLICATION

General use : water, pressurized air, acids, etc.
 "Non suitable for steam application"

GENERAL CHARACTERISTICS

Design according with BS EN 593.
 Tightness in both ways. Wafer type with smooth ears.
 Flexible sleeve adapted to the shape of the body assures low operating torque. High and low semi stem giving a high flow coefficient, machined disc on periphery giving a low and regular torque. Unejectable stem, mounting flange according to ISO 5211.

CONSTRUCTION

16	4	Gearbox	
15	2	Washer	Stainless steel 304
14	1	Screw	Stainless steel 304
13	1	Rivet	Aluminium
12	1	Nameplate	Stainless steel 304
11	2	Circlips	65Mn
10	1	Bottom cover	Plastic
9	1	Bushing	Stainless steel 201 + F4
8	2	O ring	NBR
7	1	Antidust ring	NBR
6	1	Anti blowout ring	Stainless steel 201
5	1	Lower stem	Stainless steel 420
4	1	Upper stem	Stainless steel 420
3	1	Sleeve	EPDM CH
2	1	Disc	Ductile iron GGG50
1	1	Body	Ductile iron GGG50
Pos.	Qty	Description	Material

DIMENSIONS

DN		A	B	C	G	ØE	X	V	Weight (kg)
mm	inch								
40*	1 1/2	135	52	32,5	64	75	154	148	4,8
50	2"	140	60	42,5	64	84,5	154	148	5,4
65	2 1/2	150	70	45,5	64	104,5	154	148	5,8
80	3"	156	91,6	45,5	64	123,5	154	148	6,2
100	4"	169	90	51,5	64	139,5	154	148	7,1
125	5"	190	105	55,5	64	169,5	154	148	9
150	6"	200	120	55,5	64	196	154	148	10,4
200	8"	224	158	59,5	64	247	260	290	22
250	10"	265	197	67,5	64	304	260	290	28
300	12"	303	230	77,5	64	358	260	290	36,3

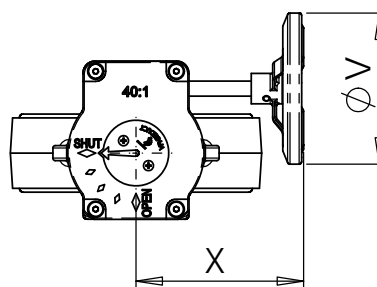
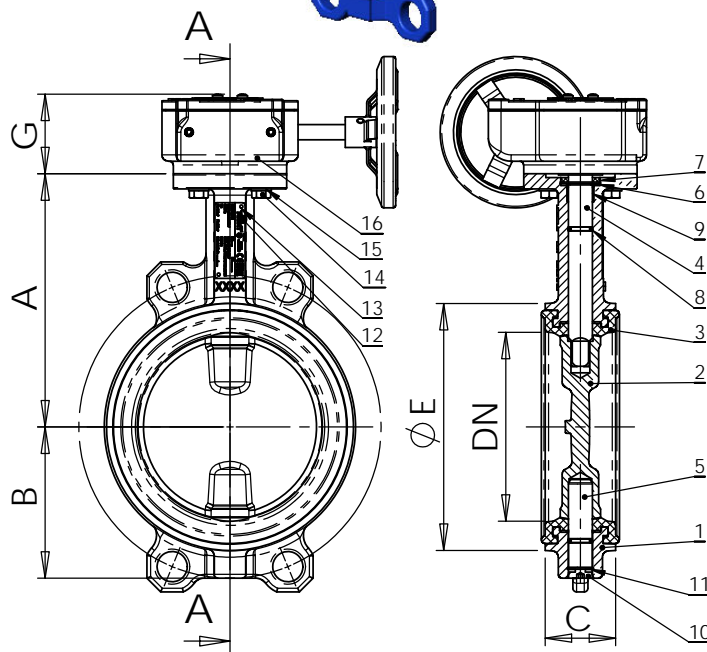
*Can be installed between DN32 flanges

WORKING CONDITIONS

Maximum working pressure : 16 bar.
 Maximum working temperature : -15°C / +130°C.
 Peak temperature: -30°C / +150°C

Sleeve types in option	Maximum temperature	Peak temperature
EPDM	+4°C / +110°C	-20°C / +130°C
White EPDM	+4°C / +110°C	-20°C / +130°C
CSM (Type Hypalon®)	+4°C / +80°C	-20°C / +110°C
FPM (Type Viton®)**	-10°C / +150°C	-20°C / +150°C
Silicone**	-20°C / +150°C	-40°C / +150°C
Nitril (NBR)	-10°C / +80°C	-20°C / +90°C

**Maximum value = limit temperature of epoxy coated disc : +150°C.



STANDARDS

Manufacture according to the requirements of the European directive 2014/68/UE «Equipment under pressure»: modulate H. Face to face according to standards NF EN 558-1 serie 20, ISO 5752 série 20, DIN 3202.

Mounting between flanges PN 10 / PN 16: according to EN 1092-2, BS 450, ANSI B16.1-5.

Adjustable between flanges ASME B16.5 Class 150 and JIS 10K. Pressure test according to standards EN 12266-1, DIN 3230, BS 6755 and ISO 5208 :

Body: 24 bar
 Seat: 17.6 bar

TECOFI France - 83, Rue Marcel Mérieux 69960 Corbas - France
 Tél. +33 (0)4 72 79 05 79 - Fax +33 (0)4 78 90 19 19 / +33 (0)4 72 79 05 79
 Adresses e-mail: sales@tecofi.fr; tecofi@tecofi.fr / site web: www.tecofi.fr