

Ref. : VPE 4649 pas

Rev. : Initial

Date : 24/11/2017

Page : 1/1

# BUTTERFLY VALVE WITH HANDLE

## VPE 4649-02



### APPLICATION

General use : water, air, acids, etc.  
"Non suitable for steam application"

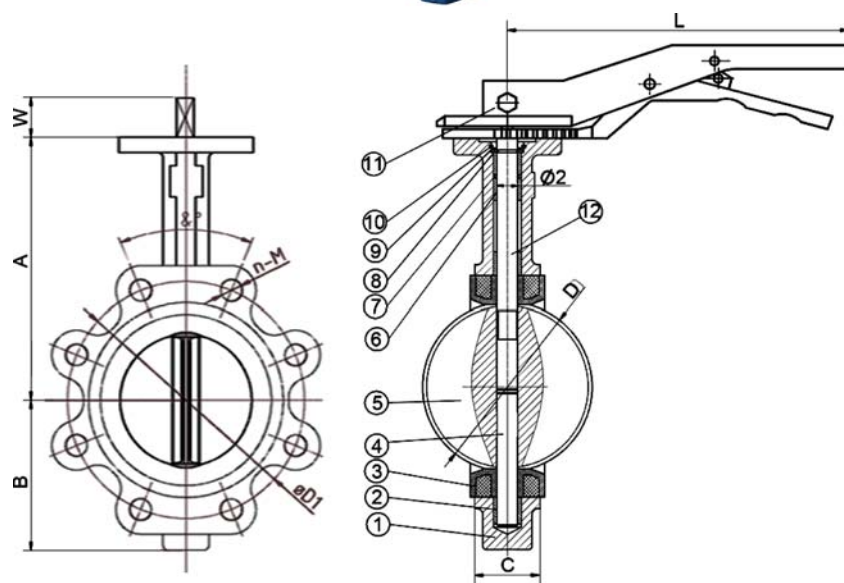
### GENERAL CHARACTERISTICS

Design according with EN 593.  
Tightness in both ways. Lugged type with threaded ears.  
Flexible sleeve adapted to the shape of the body assures low operating torque. Stem in two parts (high and low).  
High flow coefficient. Machined disc on periphery giving a low and regular torque. Unejectable stem, mounting flange according to ISO 5211.



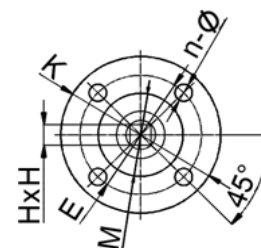
### CONSTRUCTION

|      |      |               |                          |
|------|------|---------------|--------------------------|
| 12   | 1    | Upper shaft   | Stainless steel 410      |
| 11   | 1    | Handle        | Ductile iron             |
| 10   | 1    | Collar        | 65Mn                     |
| 9    | 1    | Gasket        | Stainless steel 201      |
| 8    | 1    | Ring          | Stainless steel 201      |
| 7    | 1    | O ring        | NBR                      |
| 6    | 2    | Upper bushing | Fiber glass + PTFE       |
| 5    | 1    | Disc          | Stainless steel 316      |
| 4    | 1    | Lower shaft   | Stainless steel 410      |
| 3    | 1    | Sleeve        | Heat EPDM                |
| 2    | 1    | Lower bushing | Fiber glass + PTFE       |
| 1    | 1    | Body          | Ductile iron EN-GJS500-7 |
| Pos. | Q-ty | Description   | Material                 |



### DIMENSIONS

| DN  |      | A   | B   | C  | D   | n-M    | &° | Ø2   | ISO 5211 | K   | E   | n-Ø    | M  | HxH   | W  | L   | Weight (kg) |
|-----|------|-----|-----|----|-----|--------|----|------|----------|-----|-----|--------|----|-------|----|-----|-------------|
| mm  | inch |     |     |    |     |        |    |      |          |     |     |        |    |       |    |     |             |
| 200 | 8"   | 235 | 174 | 60 | 295 | 8-M20  | 45 | 22,1 | F10      | 125 | 102 | 4 - 12 | 70 | 17x17 | 45 | 450 | 12,2        |
| 250 | 10"  | 265 | 203 | 68 | 350 | 12-M20 | 30 | 28,5 | F10      | 125 | 102 | 4 - 12 | 70 | 22x22 | 45 | 450 | 18,8        |
| 300 | 12"  | 305 | 242 | 78 | 400 | 12-M20 | 30 | 31,6 | F10      | 125 | 102 | 4 - 12 | 70 | 22x22 | 45 | 450 | 28,7        |



Upper flange ISO 5211

### WORKING CONDITIONS

Maximum working pressure : 16 bar.  
Maximum working temperature : -15°C / +130°C.  
Peak temperature: -30°C / +150°C

### STANDARDS

Manufacture according to the requirements of the European directive 2014/68/UE «Equipment under pressure»: modulate H. Face to face according to standards NF EN 558-1 serie 20, ISO 5752 série 20, DIN 3202.

Mounting with flanges PN 10: according to EN 1092-2.  
Pressure test according to standards EN 12266-1, DIN 3230, BS 6755 and ISO 5208 :  
Corps: 24 bar  
Siège: 17.6 bar