

Ref. : VPE 4648 pas

Rev. : Initial

Date : 24/11/2017

Page : 1/1

BUTTERFLY VALVE WITH HANDLE

VPE 4648-02



Tecofi 
VALVE DESIGNER - FRANCE

APPLICATION

General use : water, air, acids, etc.
"Non suitable for steam application"

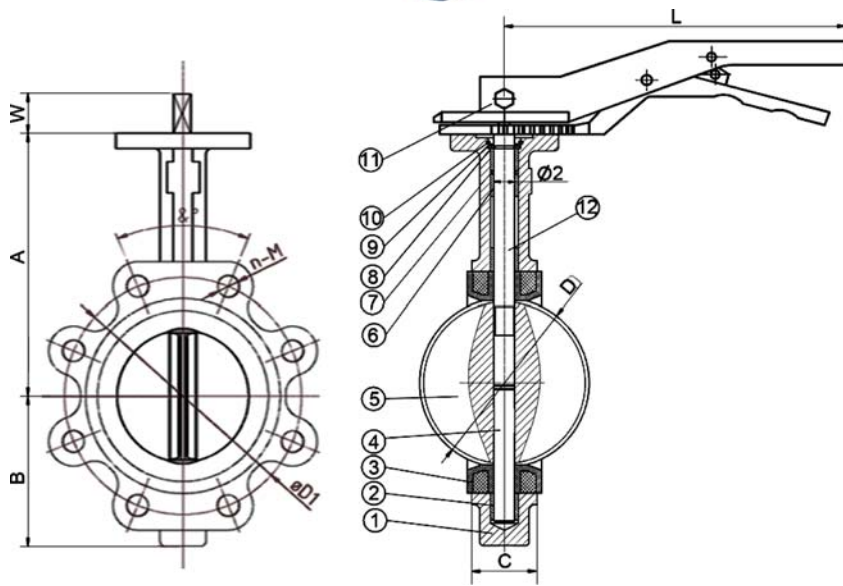
GENERAL CHARACTERISTICS

Design according with EN 593.
Tightness in both ways. Lugged type with threaded ears.
Flexible sleeve adapted to the shape of the body assures low operating torque. Stem in two parts (high and low).
High flow coefficient. Machined disc on periphery giving a low and regular torque. Unejectable stem, mounting flange according to ISO 5211.



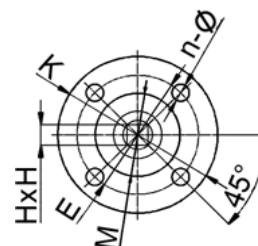
CONSTRUCTION

12	1	Upper shaft	Stainless steel 410
11	1	Handle	Ductile iron
10	1	Collar	65Mn
9	1	Gasket	Stainless steel 201
8	1	Ring	Stainless steel 201
7	1	O ring	NBR
6	2	Upper bushing	Fiber glass + PTFE
5	1	Disc	Ductile iron
4	1	Lower shaft	Stainless steel 410
3	1	Sleeve	Heat EPDM
2	1	Lower bushing	Fiber glass + PTFE
1	1	Body	Ductile iron EN-GJS500-7
Pos.	Q-ty	Description	Material



DIMENSIONS

DN		A	B	C	D	n-M	α°	Ø2	ISO 5211	K	E	n-Ø	M	HxH	W	L	Weight (kg)
mm	inch																
200	8"	235	174	60	295	8-M20	45	22,1	F10	125	102	4 - 12	70	17x17	45	450	12,2
250	10"	265	203	68	350	12-M20	30	28,5	F10	125	102	4 - 12	70	22x22	45	450	18,8
300	12"	305	242	78	400	12-M20	30	31,6	F10	125	102	4 - 12	70	22x22	45	450	28,7



Upper flange ISO 5211

WORKING CONDITIONS

Maximum working pressure : 16 bar.
Maximum working temperature : -15°C / +130°C.
Peak temperature: -30°C / +150°C

STANDARDS

Manufacture according to the requirements of the European directive 2014/68/UE «Equipment under pressure»: modulate H. Face to face according to standards NF EN 558-1 serie 20, ISO 5752 série 20, DIN 3202.

Mounting with flanges PN 10: according to EN 1092-2.
Pressure test according to standards EN 12266-1, DIN 3230, BS 6755 and ISO 5208 :
Corps: 24 bar
Siège: 17.6 bar

The photographs and technical art works are not contractual. The specifications of the presented products are open to modifications without previous advice.