

Ref. : VPE 4548-N03

Rev. : Initial

Date : 08/03/2017

Page : 1/1

DOUBLE FLANGE TYPE BUTTERFLY VALVE TECLARGE FL WITH DOUBLE ACTING PNEUMATIC ACTUATOR

VPE 4548-N03



APPLICATION

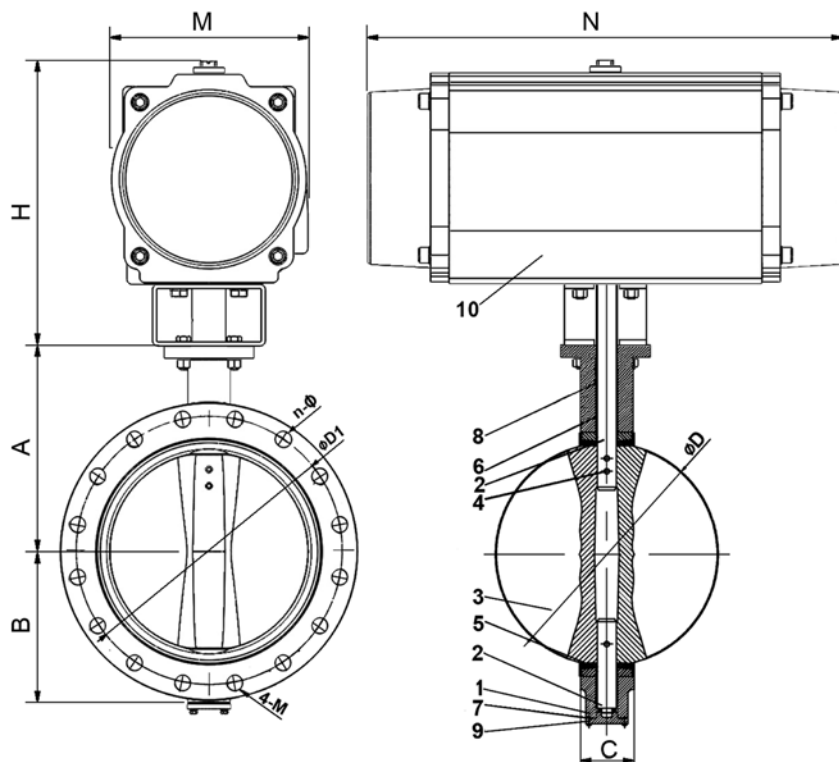
General use : water, sludge, etc.

GENERAL CHARACTERISTICS

Design in accordance with NF EN 593.
Tightness in both ways.
Sleeve internally reinforced in aluminium giving a low torque.
Self lubricant bearing in copper alloy.

CONSTRUCTION

10	1	Pneumatic actuator	
9	1	Cover	Ductile iron
8		Bushing	Copper alloy
7	1	O ring	NBR
6		Bushing	Copper alloy
5	1	Sleeve	Heat EPDM
4		Pin	Stainless steel 410
3	1	Disc	Ductile iron EN-GJS400-15
2		Stem	Stainless steel 410
1	1	Body	Ductile iron EN-GJS400-15
Pos.	Q-ty	Description	Material



WORKING CONDITIONS

Maximum working pressure : 16 bar.
Maximum working temperature : -15 °C / +130 °C.
Peak temperature : -30°C / + 150°C

STANDARDS

Manufacture according to the requirements of the European directive 2014/68/UE
«Equipments under pressure» : modulate H.
Pressure test according to standards EN 12266-1, DIN 3230, BS 5154 and ISO 5208 :
Body : 24 bar.
Seat : 17.6 bar.
Face to face according to standard EN 558-1 serie 20, ISO 5752 serie 20 and DIN 3202.
Flange type ISO PN16 connections according to standard EN 1092-2.

DIMENSIONS

DN	A	B	C	ØD	Output flange		ØD1	n-ø	4-M	Actuator reference	H	M	N	Weight (kg)	
					Valve side	Actuator side									
350	14"	368	275	76,5	333,5	F14	F14	470	16-28	-	TDA190	304	189	534	122
400	16"	398	300	102	389,6	F14	F14	525	16-31	-	TDA210	304	189	534	171
450	18"	428	328	114	440,5	F14	F16	585	20-31	-	TDA240	371	245	612	217
500	20"	485	351	127	491,6	F14	F16	650	20-34	-	TDA270	419	273	718	253
600	24"	568	440	151	592,5	F16	F16	770	20-37	-	TDA350	503	385	845	433
700	28"	628	508	163	695	F25	F16	840	20-37	4-M33	TDA350	503	385	845	599
800	32"	672	530	188	794,7	F25	F16	950	20-41	4-M36	TDA400	562	520	956	788
900	36"	721	630	203	864,7	F25	-	1050	24-41	4-M36	-	-	-	-	-
1000	40"	802	692	216	965	F25	-	1170	24-44	4-M39	-	-	-	-	-
1200	48"	948	844	276	1160,6	F30	-	1390	28-50	4-M45	-	-	-	-	-

TECOFI France - 83, Rue Marcel Mérieux 69960 Corbas - FRANCE
Tél. +33 (0) 4 72 79 05 79 - Fax +33 (0) 4 78 90 19 19 / +33 (0) 4 72 79 05 70
Adresses e-mail : sales@tecofi.fr ; tecofi@tecofi.fr / Site web : www.tecofi.fr