

Ref. : VPE 4548-B04

Rev. : Initial

Date : 08/03/2017

Page : 1/1

# DOUBLE FLANGE TYPE BUTTERFLY VALVE TECLARGE FL WITH ELECTRIC ACTUATOR BERNARD

VPE 4548-B04



## APPLICATION

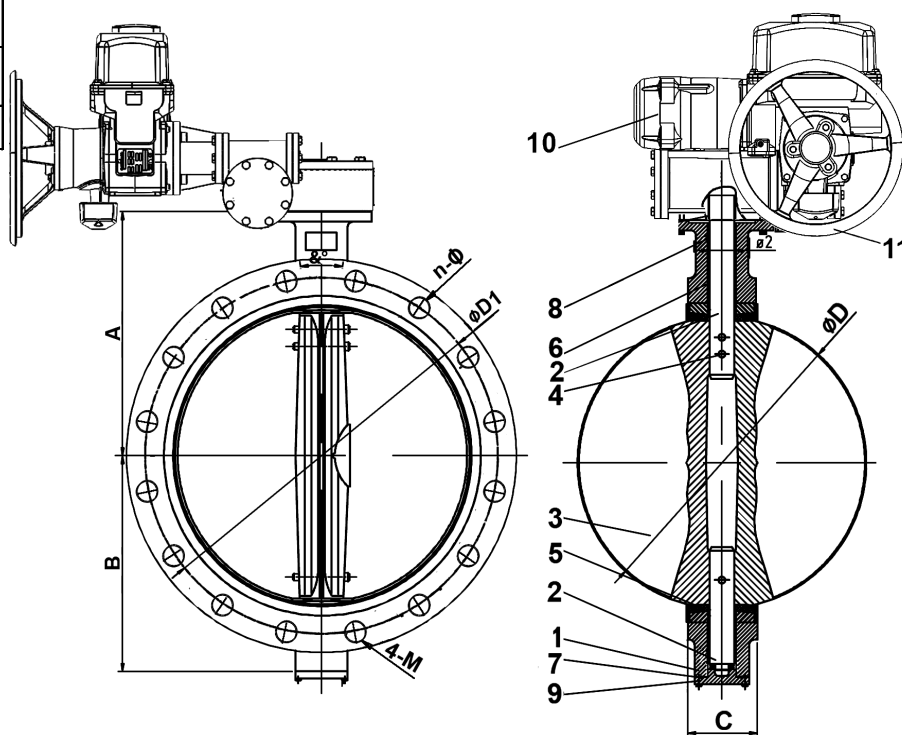
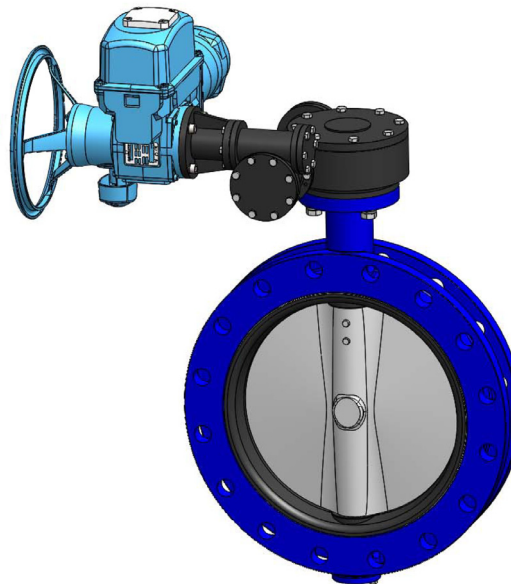
General use : water, sludge, etc.

## GENERAL CHARACTERISTICS

Design in accordance with NF EN 593.  
Tightness in both ways.  
Sleeve internally reinforced in aluminium giving a low torque.  
Self lubricant bearing in copper alloy.

## CONSTRUCTION

11	1	Handwheel	
10	1	Electric actuator	BERNARD
9	1	Cover	Ductile iron
8		Bushing	Copper alloy
7	1	O ring	NBR
6		Bushing	Copper alloy
5	1	Sleeve	Heat EPDM
4		Pin	Stainless steel 410
3	1	Disc	Ductile iron EN-GJS400-15
2		Stem	Stainless steel 410
1	1	Body	Ductile iron EN-GJS400-15
<b>Pos.</b>	<b>Q-ty</b>	<b>Description</b>	<b>Material</b>



## WORKING CONDITIONS

Maximum working pressure : 16 bar.  
Maximum working temperature : -15 °C / +130 °C.  
Peak temperature : -30°C / + 150°C

## STANDARDS

Manufacture according to the requirements of the European directive 2014/68/UE «Equipments under pressure» : modulate H.  
Pressure test according to standards EN 12266-1, DIN 3230, BS 5154 and ISO 5208 :

Body : 24 bar.

Seat : 17.6 bar.

Face to face according to standard EN 558-1 serie 20, ISO 5752 serie 20 and DIN 3202.  
Flange type ISO PN16 connections according to standard EN 1092-2.

## DIMENSIONS

DN	A	B	C	ØD	Output flange		ØD1	n-ø	4-M	ε°	Actuator reference	Weight (kg)
					ISO 5211	ISO 5210						
350 14"	368	275	76,5	333,5	F14	F10	470	16-28	-	22,5	ASM6	108
400 16"	398	300	102	389,6	F14	F10	525	16-31	-	22,5	ASM6	142
450 18"	428	328	114	440,5	F14	F10	585	20-31	-	18	ASM6	168
500 20"	485	351	127	491,6	F14	F10	650	20-34	-	18	ASM6	174
600 24"	568	440	151	592,5	F16	F10	770	20-37	-	18	ASM6	305
700 28"	628	508	163	695	F25	F10	840	20-37	4-M33	15	ASM10	471
800 32"	672	530	188	794,7	F25	F14	950	20-41	4-M36	15	ASM16	589
900 36"	721	630	203	864,7	F25	F14	1050	24-41	4-M36	12,85	ASM16	789
1000 40"	802	692	216	965	F25	F14	1170	24-44	4-M39	12,85	ASM16	1014
1200 48"	948	844	276	1160,6	F30	F14	1390	28-50	4-M45	11,25	ST30	1430

TECOFI France - 83, Rue Marcel Mérieux 69960 Corbas - FRANCE  
Tél. +33 (0) 4 72 79 05 79 - Fax +33 (0) 4 78 90 19 19 / +33 (0) 4 72 79 05 70  
Adresses e-mail : sales@tecofi.fr ; tecofi@tecofi.fr / Site web : www.tecofi.fr