

Ref. : VPE 4509-08.pas

Rev. : Initial

Date : 24/06/2016

Page : 1/1

DOUBLE FLANGE TYPE BUTTERFLY VALVE TECLARGE FL WITH GEAR BOX

VPE 4509-08



APPLICATION

General use : water, sludge, etc.

GENERAL CHARACTERISTICS

Design in accordance with NF EN 593.
Tightness in both ways.
Sleeve internally reinforced in aluminium giving a low torque.
Self lubricant bearing in copper alloy.

CONSTRUCTION

| | | | |
|-------------|-------------|--------------------|---------------------------|
| 11 | 1 | Handwheel | Ductile iron |
| 10 | 1 | Gear box | Ductile iron |
| 9 | 1 | Cover | Ductile iron |
| 8 | | Bushing | Copper alloy |
| 7 | 1 | O ring | NBR |
| 6 | | Bushing | Copper alloy |
| 5 | 1 | Sleeve | Heat EPDM |
| 4 | | Pin | Stainless steel 410 |
| 3 | 1 | Disc | Stainless steel CF8M |
| 2 | | Stem | Stainless steel 410 |
| 1 | 1 | Body | Ductile iron EN-GJS400-15 |
| Pos. | Q-ty | Description | Material |



WORKING CONDITIONS

Maximum working pressure : 10 bar.
Maximum working temperature : -15 °C / +130 °C.
Peak temperature : -30°C / + 150°C

STANDARDS

Manufacture according to the requirements of the European directive 2014/68/UE «Equipments under pressure» : modulate H.
Pressure test according to standards EN 12266-1, DIN 3230, BS 5154 and ISO 5208 :

Body : 15 bar.

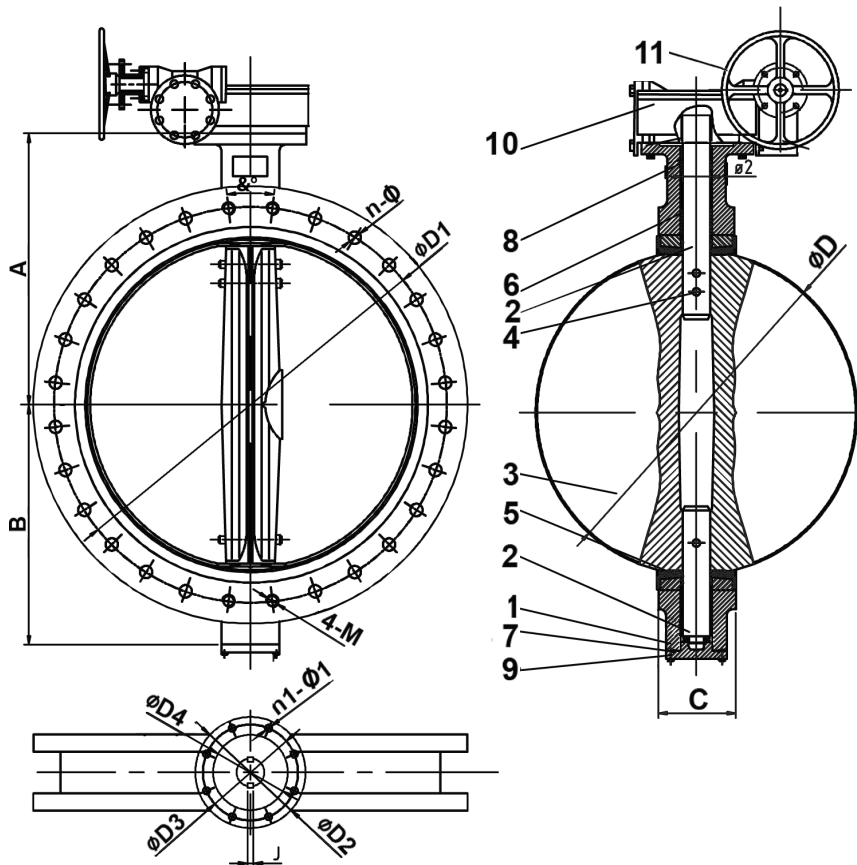
Seat : 11 bar.

Face to face according to standard EN 558-1 serie 20, ISO 5752 serie 20 and DIN 3202.

Flange type ISO PN10 connections according to standard EN 1092-2.

DIMENSIONS

| DN | | A | B | C | ØD | Ø2 | ISO | ØD2 | ØD3 | ØD4 | n1-Ø1 | ØD1 | n-Ø | 4-M | g° | J | Weight (kg) |
|------|------|-----|-----|------|--------|------|-----|-----|-----|-----|-------|------|-------|-------|-------|----|-------------|
| mm | inch | | | | | | | | | | | | | | | | |
| 350 | 14" | 368 | 275 | 76,5 | 333,5 | 31,6 | F14 | 175 | 140 | 100 | 4-18 | 460 | 16-23 | - | 22,5 | 8 | 90 |
| 400 | 16" | 398 | 300 | 102 | 389,6 | 37,9 | F14 | 175 | 140 | 100 | 4-18 | 515 | 16-28 | - | 22,5 | 10 | 124 |
| 450 | 18" | 428 | 328 | 114 | 440,5 | 37,9 | F14 | 175 | 140 | 100 | 4-18 | 565 | 20-28 | - | 18 | 10 | 150 |
| 500 | 20" | 485 | 351 | 127 | 491,6 | 45,7 | F14 | 175 | 140 | 100 | 4-18 | 620 | 20-28 | - | 18 | 14 | 156 |
| 600 | 24" | 568 | 440 | 151 | 592,5 | 50,6 | F16 | 210 | 165 | 130 | 4-22 | 725 | 20-31 | - | 18 | 16 | 287 |
| 700 | 28" | 628 | 508 | 163 | 695 | 63,4 | F25 | 300 | 254 | 200 | 8-18 | 840 | 20-31 | 4-M27 | 15 | 18 | 453 |
| 800 | 32" | 672 | 530 | 188 | 794,7 | 63,4 | F25 | 300 | 254 | 200 | 8-18 | 950 | 20-34 | 4-M30 | 15 | 18 | 567 |
| 900 | 36" | 721 | 630 | 203 | 864,7 | 75 | F25 | 300 | 254 | 200 | 8-18 | 1050 | 24-34 | 4-M30 | 12,85 | 20 | 767 |
| 1000 | 40" | 802 | 692 | 216 | 965 | 85 | F25 | 300 | 254 | 200 | 8-18 | 1160 | 24-37 | 4-M33 | 12,85 | 22 | 992 |
| 1200 | 48" | 948 | 844 | 276 | 1160,6 | 105 | F30 | 350 | 298 | 230 | 8-22 | 1380 | 28-41 | 4-M36 | 11,25 | 28 | 1376 |



TECOFI France - 83, Rue Marcel Mérieux 69960 Corbas - FRANCE
Tél. +33 (0) 4 72 79 05 79 - Fax +33 (0) 4 78 90 19 19 / +33 (0) 4 72 79 05 70
Adresses e-mail : sales@tecofi.fr ; tecofi@tecofi.fr / Site web : www.tecofi.fr