

Ref. : VPE 4449-N07

Rev. : Initial

Date : 01/03/2017

Page : 1/1

# WAFER TYPE BUTTERFLY VALVE TECLARGE WITH SINGLE ACTING PNEUMATIC ACTUATOR

**VPE 4449-N07**



## APPLICATION

General use : water, sludge, etc.

## GENERAL CHARACTERISTICS

Design in accordance with NF EN 593.

Tightness in both ways.

Sleeve internally reinforced in aluminium giving a low torque.

Two kinds of construction:

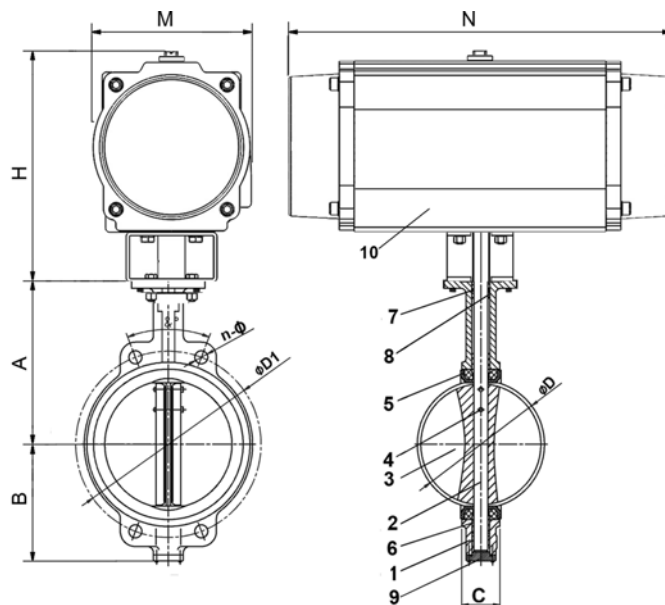
- wafer type with smooth ears from DN350 to DN500;
- with middle flange having smooth holes DN600.

Self lubricant bearing in copper alloy.



## CONSTRUCTION

10	1	Pneumatic actuator	
9	1	Cover	Ductile iron
8		Bushing	Copper alloy
7	1	O ring	NBR
6		Bushing	Copper alloy
5	1	Sleeve	Heat EPDM
4		Pin	Stainless steel 410
3	1	Disc	Stainless steel CF8M
2		Stem	Stainless steel 410
1	1	Body	Ductile iron EN-GJS400-15
<b>Pos.</b>	<b>Q-ty</b>	<b>Description</b>	<b>Material</b>



**DN350 - DN500**

## DIMENSIONS

DN	A	B	C	ØD	ISO	ØD1	n-φ	φ°	Actuator reference	H	M	N	Weight (kg)	
mm	inch													
350	14"	368	267	76,5	333,5	F14	470	16-28	22,5	TSR270	364	245	612	187,62
400	16"	400	309	102	389,6	F14	525	16-31	22,5	TSR350	406	273	718	286,8
450	18"	422	340	114	440,5	F14	585	20-31	18	TSR400	425	335	784	402,15
500	20"	442	365	127	491,6	F14	650	20-34	18	TSR400	491	385	845	409,5
600	24"	562	459	151	592,5	F16	770	20-37	18	-	-	-	-	-

## WORKING CONDITIONS

Maximum working pressure : 16 bar.

Maximum working temperature : -15 °C / +130 °C.

Peak temperature : -30°C / + 150°C

## STANDARDS

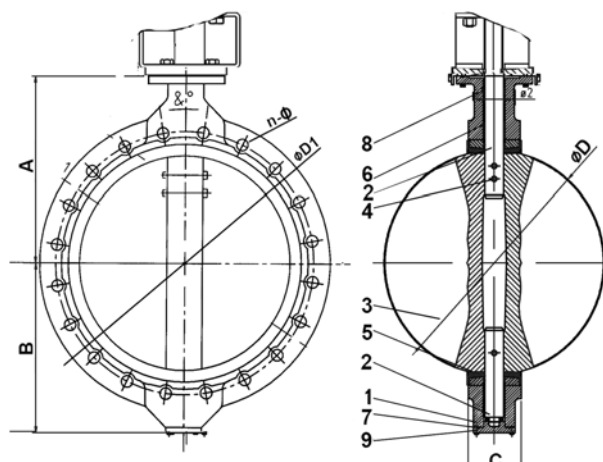
Manufacture according to the requirements of the European directive 2014/68/UE «Equipments under pressure» : modulate H.  
Pressure test according to standards EN 12266-1, DIN 3230, BS 5154 and ISO 5208 :

Body : 24 bar.

Seat : 17.6 bar.

Face to face according to standard EN 558-1 serie 20, ISO 5752 serie 20 and DIN 3202.

Wafer type ISO PN16 connections according to standard EN 1092-2.



**DN600**

**TECOFI France** - 83, Rue Marcel Mérieux 69960 Corbas - FRANCE  
Tél. +33 (0) 4 72 79 05 79 - Fax +33 (0) 4 78 90 19 19 / +33 (0) 4 72 79 05 70  
Adresses e-mail : sales@tecofi.fr ; tecofi@tecofi.fr / Site web : www.tecofi.fr