

Ref. : VPE 4449-B04

Rev. : Initial

Date : 01/03/2017

Page : 1/1

WAFER TYPE BUTTERFLY VALVE TECLARGE WITH ELECTRIC ACTUATOR BERNARD

VPE 4449-B04



APPLICATION

General use : water, sludge, etc.

GENERAL CHARACTERISTICS

Design in accordance with NF EN 593.

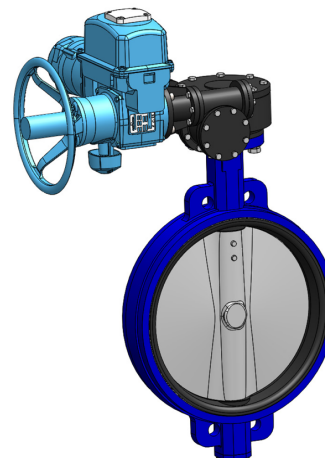
Tightness in both ways.

Sleeve internally reinforced in aluminium giving a low torque.

Two kinds of construction:

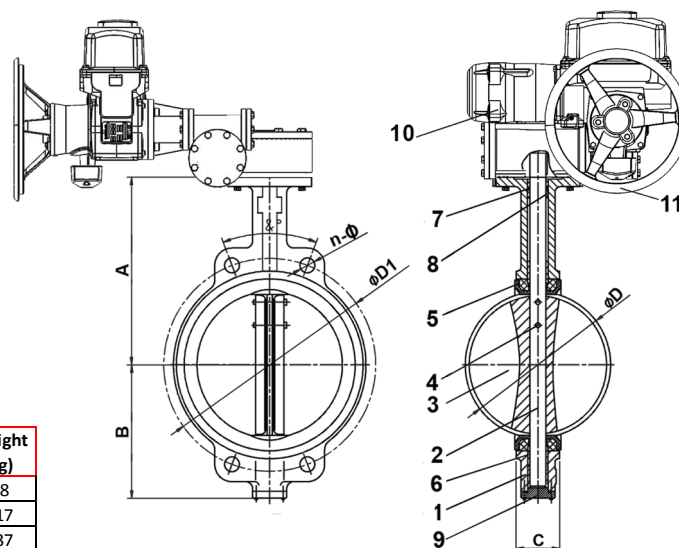
- wafer type with smooth ears from DN350 to DN500;
- with middle flange having smooth holes from DN600 to DN1200.

Self lubricant bearing in copper alloy.



CONSTRUCTION

11	1	Handwheel	
10	1	Electric actuator	BERNARD
9	1	Cover	Ductile iron
8		Bushing	Copper alloy
7	1	O ring	NBR
6		Bushing	Copper alloy
5	1	Sleeve	Heat EPDM
4		Pin	Stainless steel 410
3	1	Disc	Stainless steel CF8M
2		Stem	Stainless steel 410
1	1	Body	Ductile iron EN-GJS400-15
Pos.	Q-ty	Description	Material



DIMENSIONS

DN mm	inch	A	B	C	ØD	Output flange		ØD1	n-Ø	4-M	&°	Actuator reference	Weight (kg)
						ISO 5211	ISO 5210						
350	14"	368	267	76,5	333,5	F14	F10	470	16-28	-	22,5	ASM6	88
400	16"	400	309	102	389,6	F14	F10	525	16-31	-	22,5	ASM6	117
450	18"	422	340	114	440,5	F14	F10	585	20-31	-	18	ASM6	137
500	20"	442	365	127	491,6	F14	F10	650	20-34	-	18	ASM6	144
600	24"	562	459	151	592,5	F16	F10	725	20-31	-	18	ASM6	263
700	28"	624	520	163	695	F25	F10	840	20-37	4-M33	15	ASM10	401
800	32"	672	591	188	794,7	F25	F10	950	20-41	4-M36	15	ASM16	510
900	36"	720	656	203	864,7	F25	F10	1050	24-41	4-M36	12,85	ASM16	673
1000	40"	800	722	216	965	F25	F14	1170	24-44	4-M39	12,85	ASM16	862
1200	48"	941	864	276	1160,6	F30	F14	1390	28-50	4-M45	11,25	ST30	1283

DN350 - DN500

WORKING CONDITIONS

Maximum working pressure : 16 bar.

Maximum working temperature : -15 °C / +130 °C.

Peak temperature : -30°C / + 150°C

STANDARDS

Manufacture according to the requirements of the European directive 2014/68/UE «Equipments under pressure» : modulate H. Pressure test according to standards EN 12266-1, DIN 3230, BS 5154 and ISO 5208 :

Body : 24 bar.

Seat : 17.6 bar.

Face to face according to standard EN 558-1 serie 20, ISO 5752 serie 20 and DIN 3202.

Wafer type ISO PN16 connections according to standard EN 1092-2.

