

Ref. : VPE 4448-N07

Rev. : Initial

Date : 01/03/2017

Page : 1/1

WAFER TYPE BUTTERFLY VALVE TECLARGE WITH SINGLE ACTING PNEUMATIC ACTUATOR

VPE 4448-N07



APPLICATION

General use : water, sludge, etc.

GENERAL CHARACTERISTICS

Design in accordance with NF EN 593.

Tightness in both ways.

Sleeve internally reinforced in aluminium giving a low torque.

Two kinds of construction:

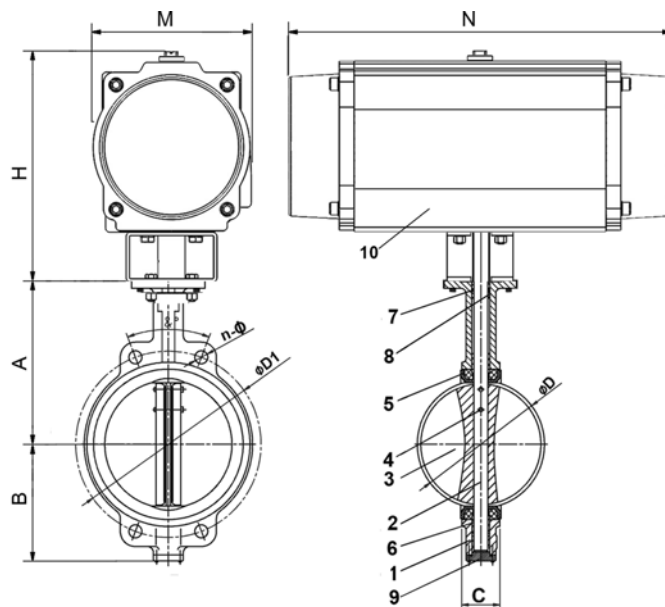
- wafer type with smooth ears from DN350 to DN500;
- with middle flange having smooth holes DN600.

Self lubricant bearing in copper alloy.



CONSTRUCTION

10	1	Pneumatic actuator	
9	1	Cover	Ductile iron
8		Bushing	Copper alloy
7	1	O ring	NBR
6		Bushing	Copper alloy
5	1	Sleeve	Heat EPDM
4		Pin	Stainless steel 410
3	1	Disc	Ductile iron EN-GJS400-15
2		Stem	Stainless steel 410
1	1	Body	Ductile iron EN-GJS400-15
Pos.	Q-ty	Description	Material



DN350 - DN500

DIMENSIONS

DN	A	B	C	ØD	ISO	ØD1	n-φ	g°	Actuator reference	H	M	N	Weight (kg)	
mm	inch													
350	14"	368	267	76,5	333,5	F14	470	16-28	22,5	TSR270	364	245	612	187,62
400	16"	400	309	102	389,6	F14	525	16-31	22,5	TSR350	406	273	718	286,8
450	18"	422	340	114	440,5	F14	585	20-31	18	TSR400	425	335	784	402,15
500	20"	442	365	127	491,6	F14	650	20-34	18	TSR400	491	385	845	409,5
600	24"	562	459	151	592,5	F16	725	20-31	18	-	-	-	-	

WORKING CONDITIONS

Maximum working pressure : 16 bar.

Maximum working temperature : -15 °C / +130 °C.

Peak temperature : -30°C / + 150°C

STANDARDS

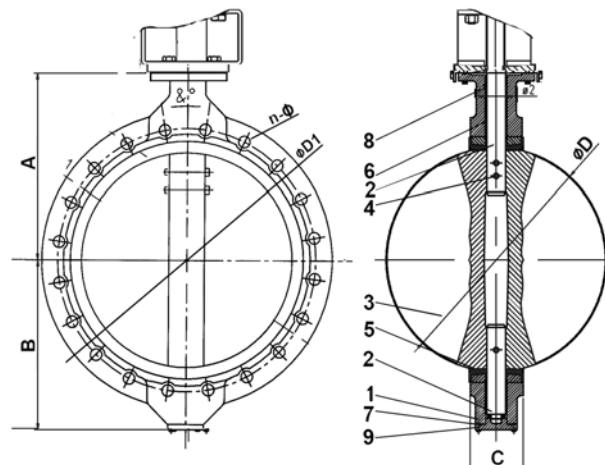
Manufacture according to the requirements of the European directive 2014/68/UE «Equipments under pressure» : modulate H.
Pressure test according to standards EN 12266-1, DIN 3230, BS 5154 and ISO 5208 :

Body : 24 bar.

Seat : 17.6 bar.

Face to face according to standard EN 558-1 serie 20, ISO 5752 serie 20 and DIN 3202.

Wafer type ISO PN16 connections according to standard EN 1092-2.



DN600