

Ref. : VPE 4448-08.pas

Rev. : C

Date : 19/08/2019

Page : 1/1

WAFER TYPE BUTTERFLY VALVE TECLARGE WITH GEAR BOX

VPE 4448-08



APPLICATION

General use : water, sludge, etc.

GENERAL CHARACTERISTICS

Design in accordance with NF EN 593.

Tightness in both ways.

Sleeve internally reinforced in aluminium giving a low torque.

Two kinds of construction:

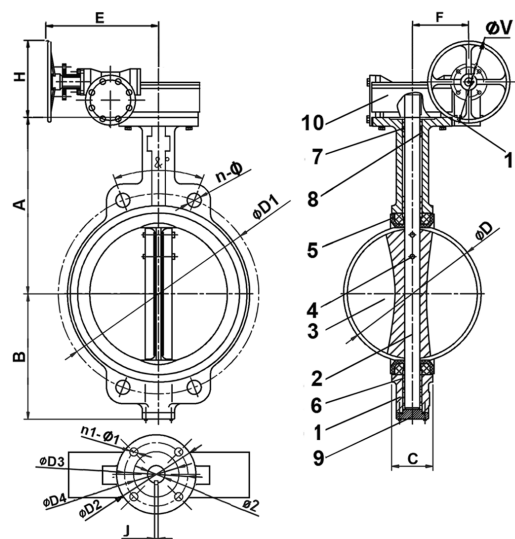
- wafer type with smooth ears from DN350 to DN500;
- with middle flange having smooth holes from DN600 to DN1200.

Self lubricant bearing in copper alloy.



CONSTRUCTION

11	1	Handwheel	Ductile iron
10	1	Gear box	Ductile iron
9	1	Cover	Ductile iron
8		Bushing	Copper alloy
7	1	O ring	NBR
6		Bushing	Copper alloy
5	1	Sleeve	Heat EPDM
4		Pin	Stainless steel 410
3	1	Disc	Ductile iron EN-GJS400-15
2		Stem	Stainless steel 410
1	1	Body	Ductile iron EN-GJS400-15
Pos.	Q-ty	Description	Material



DIMENSIONS

DN		A	B	C	ØD	Ø2	ISO	ØD2	ØD3	ØD4	n1-ø1	ØD1	n-ø	4-M	&°	J	E	F	H	øV	Weight (kg)
mm	inch																				
350	14"	368	267	76,5	333,5	31,6	F14	175	140	100	4-18	470	16-28	-	22,5	8	344	170	268	300	68
400	16"	400	309	102	389,6	37,9	F14	175	140	100	4-18	525	16-31	-	22,5	10	344	170	368	300	89
450	18"	422	340	114	440,5	37,9	F14	175	140	100	4-18	585	20-31	-	18	10	344	170	268	300	104
500	20"	442	365	127	491,6	45,7	F14	175	140	100	4-18	650	20-34	-	18	14	344	170	268	300	126
600	24"	562	459	151	592,5	50,6	F16	210	165	130	4-22	770	20-37	-	18	16	380	250	278	300	222
700	28"	624	520	163	695	63,3	F25	300	254	200	8-18	840	20-37	4-M33	15	18	430	300	358	450	336
800	32"	672	591	188	794,7	63,3	F25	300	254	200	8-18	950	20-41	4-M36	15	18	430	300	358	450	431
900	36"	720	656	203	864,7	75	F25	300	254	200	8-18	1050	24-41	4-M36	12,85	20	547	320	363	450	548
1000	40"	800	722	216	965	85	F25	300	254	200	8-18	1170	24-44	4-M39	12,85	22	547	320	388	450	798
1200	48"	941	864	276	1160,6	105	F30	350	298	230	8-22	1390	28-50	4-M45	11,25	28	684	320	403	450	1180

DN350 - DN500

WORKING CONDITIONS

Maximum working pressure : 16 bar.

Maximum working temperature : -15 °C / +130 °C.

Peak temperature : -30°C / + 150°C

STANDARDS

Manufacture according to the requirements of the European directive 2014/68/UE «Equipments under pressure» : modulate H. Pressure test according to standards EN 12266-1, DIN 3230, BS 5154 and ISO 5208 :

Body : 24 bar.

Seat : 17.6 bar.

Face to face according to standard EN 558-1 serie 20, ISO 5752 serie 20 and DIN 3202.

Wafer type ISO PN16 connections according to standard EN 1092-2.

