

Ref. : VPE 4448-02.pas

# BUTTERFLY VALVE WITH HANDLE

Rev. : A

Date : 16/03/2020

Page : 1/1

## VPE 4448-02



### APPLICATION

General use : water, air, acids, etc.  
"Non suitable for steam application"

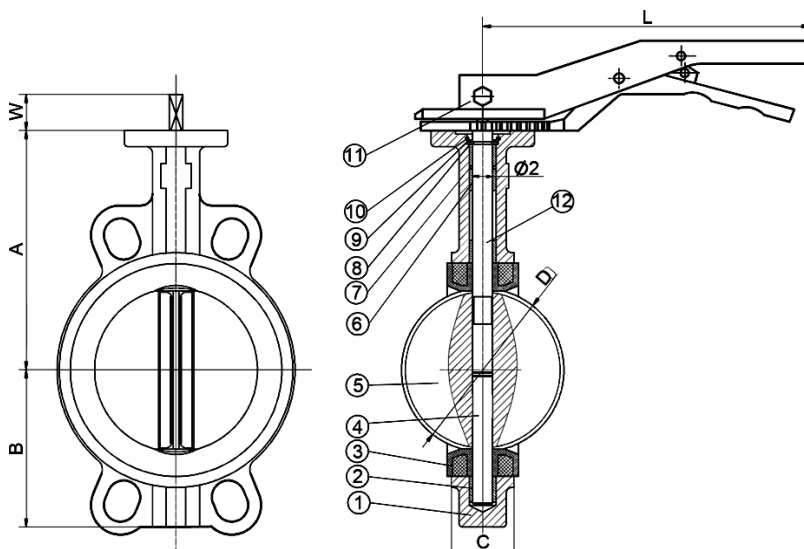
### GENERAL CHARACTERISTICS

Design according with EN 593.  
Tightness in both ways. Wafer type with smooth ears.  
Flexible sleeve adapted to the shape of the body assures low operating torque. Monobloc stem.  
High flow coefficient. Machined disc on periphery giving a low and regular torque. Unejectable stem, mounting flange according to ISO 5211.



### CONSTRUCTION

12	1	Upper shaft	Stainless steel 410
11	1	Handle	Ductile iron
10	1	Collar	65Mn
9	1	Gasket	Stainless steel 201
8	2	Ring	Stainless steel 201
7	1	O ring	NBR
6	2	Upper bushing	Fiber glass + PTFE
5	1	Disc	Ductile iron
4	1	Lower shaft	Stainless steel 410
3	1	Sleeve	Heat EPDM
2	1	Lower bushing	Fiber glass + PTFE
1	1	Body	Ductile iron EN-GJS-400-15
Pos.	Q-ty	Description	Material



### DIMENSIONS

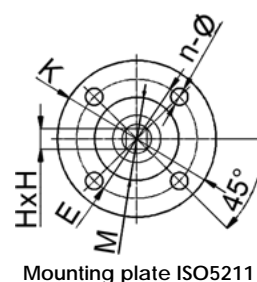
DN		A	B	C	D	Ø2	ISO 5211	K	E	n-Ø	M	HxH	W	L	Weight (kg)
mm	inch														
200	8"	235	174	60	202,5	22,1	F10	125	102	4-12	70	17x17	45	450	15,3
250	10"	265	203	68	250,5	28,5	F10	125	102	4-12	70	22x22	45	450	22,1
300	12"	305	242	78	301,6	31,6	F10	125	102	4-12	70	22x22	45	450	32,7

### WORKING CONDITIONS

Maximum working pressure : 16 bar.  
Maximum working temperature : -15°C / +130°C.  
Peak temperature: -30°C / +150°C

### STANDARDS

Manufacture according to the requirements of the European directive 2014/68/UE «Equipment under pressure»: modulate H. Face to face according to standards NF EN 558-1 serie 20, ISO 5752 série 20, DIN 3202.  
Mounting between flanges PN 10 / PN 16: according to EN 1092-2, BS 450, ANSI B16.1-5.  
Adjustable between flanges ASME B16.5 Class 150 and JIS 10K; GOST PN10/16.  
Pressure test according to standards EN 12266-1, DIN 3230, BS 6755 and ISO 5208 :  
Corps: 24 bar  
Siège: 17.6 bar



Mounting plate ISO5211