

Ref. : VPE 4409-N07

Rev. : Initial

Date : 01/03/2017

Page : 1/1

WAFER TYPE BUTTERFLY VALVE TECLARGE WITH SINGLE ACTING PNEUMATIC ACTUATOR

VPE 4409-N07



APPLICATION

General use : water, sludge, etc.

GENERAL CHARACTERISTICS

Design in accordance with NF EN 593.
Tightness in both ways.
Sleeve internally reinforced in aluminium giving a low torque.
Body construction wafer with smooth ears.
Self lubricant bearing in copper alloy.

CONSTRUCTION

10	1	Pneumatic actuator	
9	1	Cover	Ductile iron
8		Bushing	Copper alloy
7	1	O ring	NBR
6		Bushing	Copper alloy
5	1	Sleeve	Heat EPDM
4		Pin	Stainless steel 410
3	1	Disc	Stainless steel CF8M
2		Stem	Stainless steel 410
1	1	Body	Ductile iron EN-GJS400-15
Pos.	Q-ty	Description	Material

DIMENSIONS

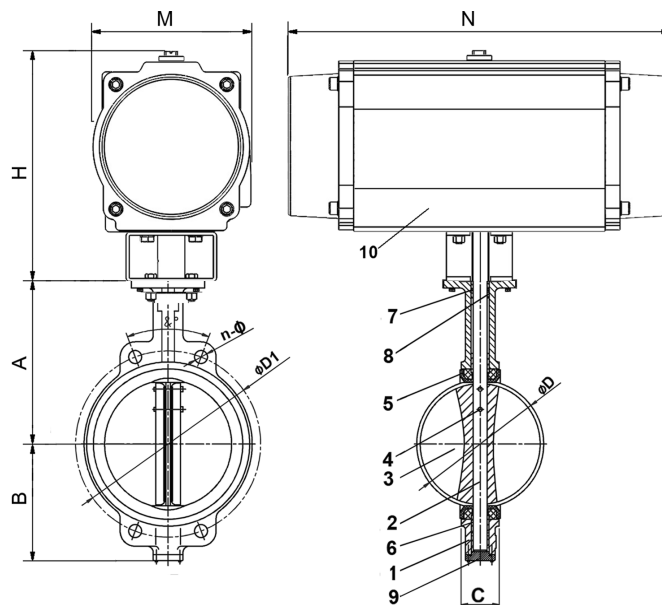
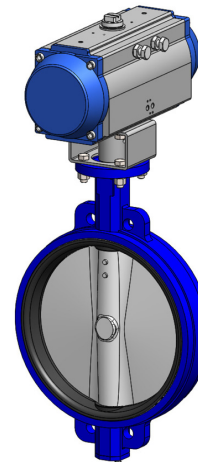
DN		A	B	C	ØD	ISO	ØD1	n-Ø	ε°	Actuator reference	H	M	N	Weight (kg)
mm	inch													
350	14"	368	267	76,5	333,5	F14	460	16-23	22,5	TSR240	364	245	612	149,82
400	16"	400	309	102	389,6	F14	515	16-28	22,5	TSR270	406	273	718	216,7
450	18"	422	340	114	440,5	F14	565	20-28	18	TSR300	425	335	784	254,25
500	20"	442	365	127	491,6	F14	620	20-28	18	TSR350	491	385	845	314,1
600	24"	562	459	151	592,5	F16	725	20-31	18	TSR400	557	520	956	509,25

WORKING CONDITIONS

Maximum working pressure : 10 bar.
Maximum working temperature : -15 °C / +130 °C.
Peak temperature : -30°C / + 150°C

STANDARDS

Manufacture according to the requirements of the European directive 2014/68/UE «Equipments under pressure» : modulate H.
Pressure test according to standards EN 12266-1, DIN 3230, BS 5154 and ISO 5208 :
Body : 15 bar.
Seat : 11 bar.
Face to face according to standard EN 558-1 serie 20, ISO 5752 serie 20 and DIN 3202.
Wafer type ISO PN10 connections according to standard EN 1092-2.



The photographs and technical art works are not contractual. The specifications of the presented products are open to modifications without previous advice.