

Ref. : VPE 4409-N03

Rev. : Initial

Date : 01/03/2017

Page : 1/1

WAFER TYPE BUTTERFLY VALVE TECLARGE WITH DOUBLE ACTING PNEUMATIC ACTUATOR

VPE 4409-N03



APPLICATION

General use : water, sludge, etc.

GENERAL CHARACTERISTICS

Design in accordance with NF EN 593.

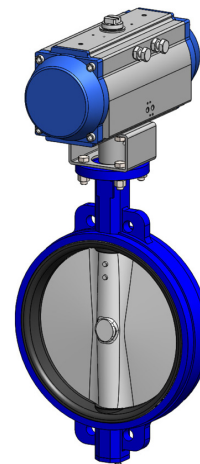
Tightness in both ways.

Sleeve internally reinforced in aluminium giving a low torque.

Two kinds of construction:

- wafer type with smooth ears from DN350 to DN600;
- with middle flange having smooth holes from DN700 to DN1200.

Self lubricant bearing in copper alloy.



CONSTRUCTION

10	1	Pneumatic actuator	
9	1	Cover	Ductile iron
8		Bushing	Copper alloy
7	1	O ring	NBR
6		Bushing	Copper alloy
5	1	Sleeve	Heat EPDM
4		Pin	Stainless steel 410
3	1	Disc	Stainless steel CF8M
2		Stem	Stainless steel 410
1	1	Body	Ductile iron EN-GJS400-15
Pos.	Q-ty	Description	Material

DIMENSIONS

DN	A	B	C	ØD	ISO	ØD1	n-Ø	4-M	&°	Actuator reference	H	M	N	Weight (kg)
mm	inch													
350	14"	368	267	76,5	F14	460	16-23	-	22,5	TDA160	269	161	456	90
400	16"	400	309	102	F14	515	16-28	-	22,5	TDA190	304	189	534	130
450	18"	422	340	114	F14	565	20-28	-	18	TDA210	332	210	536	165
500	20"	442	365	127	F14	620	20-28	-	18	TDA240	371	245	612	193
600	24"	562	459	151	F16	725	20-31	-	18	TDA270	419	273	718	323
700	28"	624	520	163	F25	840	20-31	4-M27	15	TDA300	447	335	784	491
800	32"	672	591	188	F25	950	20-34	4-M30	15	TDA350	503	385	845	635
900	36"	720	656	203	F25	1050	24-34	4-M30	12,85	TDA400	562	520	956	872
1000	40"	800	722	216	F25	1160	24-37	4-M33	12,85	-	-	-	-	-
1200	48"	941	864	276	F30	1380	28-41	4-M36	11,25	-	-	-	-	-

WORKING CONDITIONS

Maximum working pressure : 10 bar.

Maximum working temperature : -15 °C / +130 °C.

Peak temperature : -30 °C / + 150 °C

STANDARDS

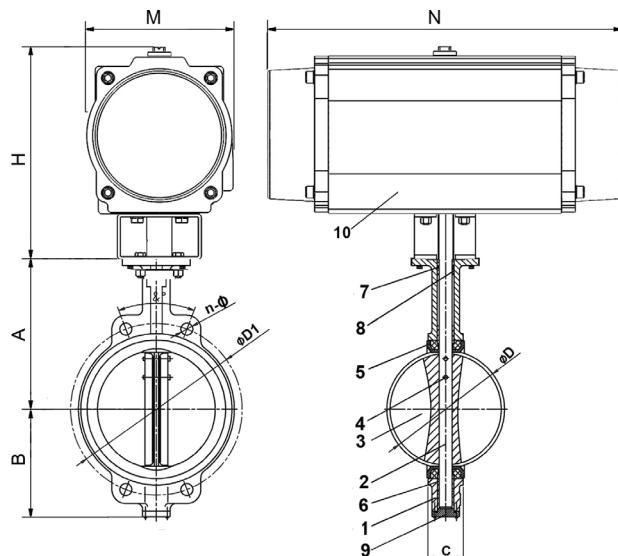
Manufacture according to the requirements of the European directive 2014/68/UE «Equipments under pressure» : modulate H. Pressure test according to standards EN 12266-1, DIN 3230, BS 5154 and ISO 5208 :

Body : 15 bar.

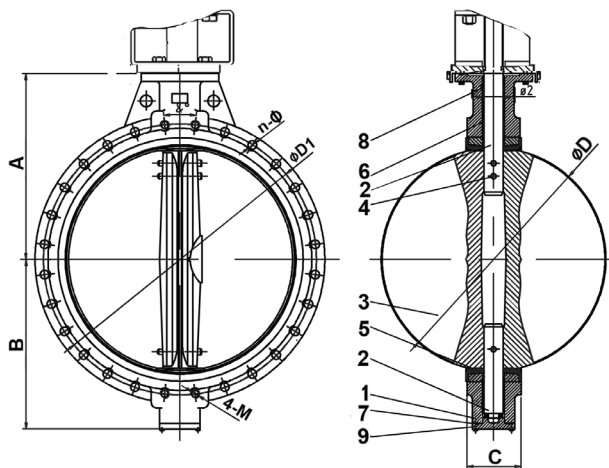
Seat : 11 bar.

Face to face according to standard EN 558-1 serie 20, ISO 5752 serie 20 and DIN 3202.

Wafer type ISO PN10 connections according to standard EN 1092-2.



DN350 - DN600



DN700 - DN1200