

Ref. : VPE 4409-08.pas

Rev. : C

Date : 19/08/2019

Page : 1/1

# WAFER TYPE BUTTERFLY VALVE TECLARGE WITH GEAR BOX

## VPE 4409-08



### APPLICATION

General use : water, sludge, etc.

### GENERAL CHARACTERISTICS

Design in accordance with NF EN 593.  
 Tightness in both ways.  
 Sleeve internally reinforced in aluminium giving a low torque.  
 Two kinds of construction:  
 - wafer type with smooth ears from DN350 to DN600;  
 - with middle flange having smooth holes from DN700 to DN1200.  
 Self lubricant bearing in copper alloy.



### CONSTRUCTION

11	1	Handwheel	Ductile iron
10	1	Gear box	Ductile iron
9	1	Cover	Ductile iron
8		Bushing	Copper alloy
7	1	O ring	NBR
6		Bushing	Copper alloy
5	1	Sleeve	Heat EPDM
4		Pin	Stainless steel 410
3	1	Disc	Stainless steel CF8M
2		Stem	Stainless steel 410
1	1	Body	Ductile iron EN-GJS400-15
<b>Pos.</b>	<b>Q-ty</b>	<b>Description</b>	<b>Material</b>

### DIMENSIONS

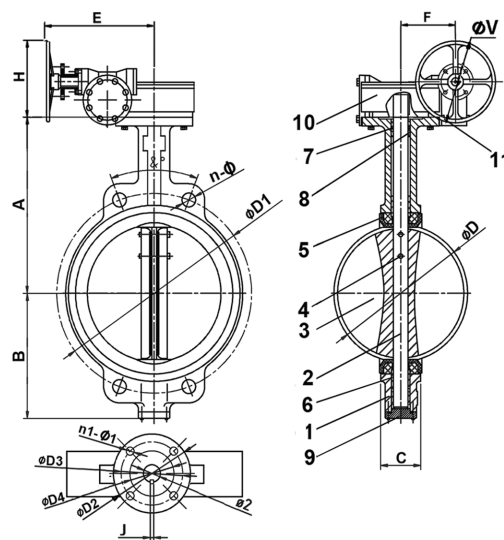
DN	A	B	C	ØD	Ø2	ISO	ØD2	ØD3	ØD4	ØD5	n1-Ø1	ØD1	n-Ø	4-M	&°	J	E	F	H	ØV	Weight (kg)
350 14"	368	267	76,5	333,5	31,6	F14	175	140	100	372	4-18	460	16-23	-	22,5	8	344	170	268	300	69
400 16"	400	309	102	389,6	37,9	F14	175	140	100	436	4-18	515	16-28	-	22,5	10	344	170	368	300	90
450 18"	422	340	114	440,5	37,9	F14	175	140	100	487	4-18	565	20-28	-	18	10	344	170	268	300	107
500 20"	442	365	127	491,6	45,7	F14	175	140	100	532	4-18	620	20-28	-	18	14	344	170	268	300	144
600 24"	562	459	151	592,5	50,6	F16	210	165	130	651	4-22	725	20-31	-	18	16	380	250	278	300	238
700 28"	624	520	163	695	63,3	F25	300	254	200	741	8-18	840	20-31	4-M27	15	18	430	300	358	450	352
800 32"	672	591	188	794,7	63,3	F25	300	254	200	847	8-18	950	20-34	4-M30	15	18	430	300	358	450	445
900 36"	720	656	203	864,7	75	F25	300	254	200	943	8-18	1050	24-34	4-M30	12,85	20	547	320	363	450	562
1000 40"	800	722	216	965	85	F25	300	254	200	1049	8-18	1160	24-37	4-M33	12,85	22	547	320	388	450	810
1200 48"	941	864	276	1160,6	105	F30	350	298	230	1260	8-22	1380	28-41	4-M36	11,25	28	684	320	403	450	1205

### WORKING CONDITIONS

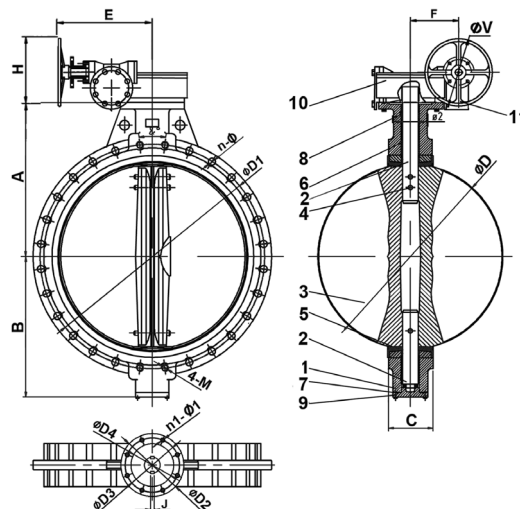
Maximum working pressure : 10 bar.  
 Maximum working temperature : -15 °C / +130 °C.  
 Peak temperature : -30°C / + 150°C

### STANDARDS

Manufacture according to the requirements of the European directive 2014/68/UE «Equipments under pressure» : modulate H.  
 Pressure test according to standards EN 12266-1, DIN 3230, BS 5154 and ISO 5208 :  
 Body : 15 bar.  
 Seat : 11 bar.  
 Face to face according to standard EN 558-1 serie 20, ISO 5752 serie 20 and DIN 3202.  
 Wafer type ISO PN10 connections according to standard EN 1092-2.



DN350 - DN600



DN700 - DN1200