

Ref. : VPE 4408-U04

Rev. : Initial

Date : 24/02/2017

Page : 1/1

# WAFER TYPE BUTTERFLY VALVE TECLARGE WITH ELECTRIC ACTUATOR AUMA

VPE 4408-U04



## APPLICATION

General use : water, sludge, etc.

## GENERAL CHARACTERISTICS

Design in accordance with NF EN 593.

Tightness in both ways.

Sleeve internally reinforced in aluminium giving a low torque.

Two kinds of construction:

- wafer type with smooth ears from DN350 to DN600;
  - with middle flange having smooth holes from DN700 to DN1200.
- Self lubricant bearing in copper alloy.

## CONSTRUCTION

11	1	Handwheel	
10	1	Electric actuator	AUMA
9	1	Cover	Ductile iron
8		Bushing	Copper alloy
7	1	O ring	NBR
6		Bushing	Copper alloy
5	1	Sleeve	Heat EPDM
4		Pin	Stainless steel 410
3	1	Disc	Ductile iron EN-GJS400-15
2		Stem	Stainless steel 410
1	1	Body	Ductile iron EN-GJS400-15
Pos.	Q-ty	Description	Material

## DIMENSIONS

DN		A	B	C	ØD	Output flange		ØD1	n-Ø	4-M	&°	Actuator reference	Weight (kg)
mm	inch					ISO 5211	ISO 5210						
350	14"	368	267	76,5	333,5	F14	F10	460	16-23	-	22,5	SA07.2	90
400	16"	400	309	102	389,6	F14	F10	515	16-28	-	22,5	SA07.2	119
450	18"	422	340	114	440,5	F14	F10	565	20-28	-	18	SA07.2	139
500	20"	442	365	127	491,6	F14	F10	620	20-28	-	18	SA07.2	146
600	24"	562	459	151	592,5	F16	F10	725	20-31	-	18	SA07.6	247
700	28"	624	520	163	695	F25	F10	840	20-31	4-M27	15	SA07.6	404
800	32"	672	591	188	794,7	F25	F10	950	20-34	4-M30	15	SA10.2	513
900	36"	720	656	203	864,7	F25	F10	1050	24-34	4-M30	12,85	SA10.2	676
1000	40"	800	722	216	965	F25	F14	1160	24-37	4-M33	12,85	SA14.2	888
1200	48"	941	864	276	1160,6	F30	F14	1380	28-41	4-M36	11,25	SA14.2	1277

## WORKING CONDITIONS

Maximum working pressure : 10 bar.

Maximum working temperature : -15 °C / +130 °C.

Peak temperature : -30°C / + 150°C

## STANDARDS

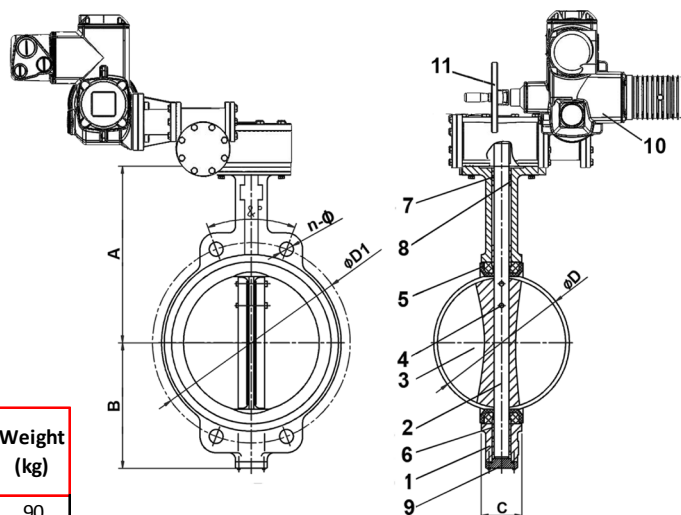
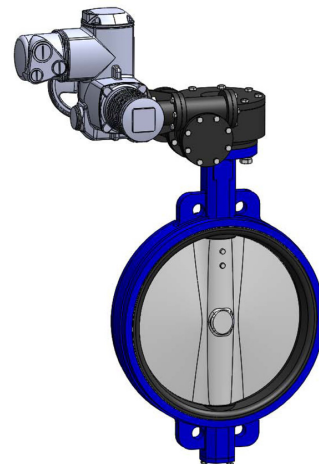
Manufacture according to the requirements of the European directive 2014/68/UE «Equipments under pressure» : modulate H.  
Pressure test according to standards EN 12266-1, DIN 3230, BS 5154 and ISO 5208 :

Body : 15 bar.

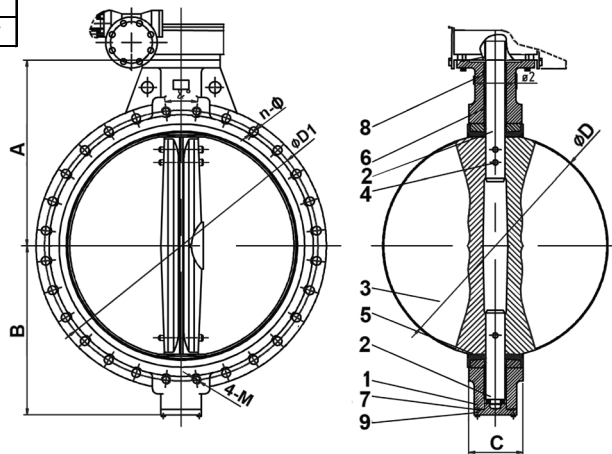
Seat : 11 bar.

Face to face according to standard EN 558-1 serie 20, ISO 5752 serie 20 and DIN 3202.

Wafer type ISO PN10 connections according to standard EN 1092-2.



DN350 - DN600



DN700 - DN1200