

Ref. : VPE 4408-B04

Rev. : Initial

Date : 23/02/2017

Page : 1/1

WAFER TYPE BUTTERFLY VALVE TECLARGE WITH ELECTRIC ACTUATOR BERNARD

VPE 4408-B04

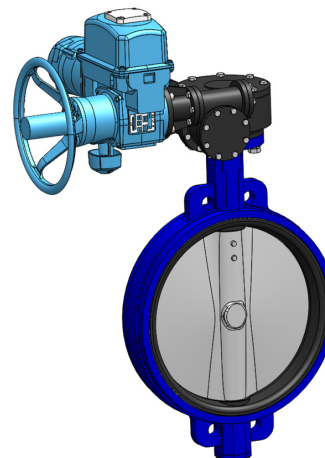


APPLICATION

General use : water, sludge, etc.

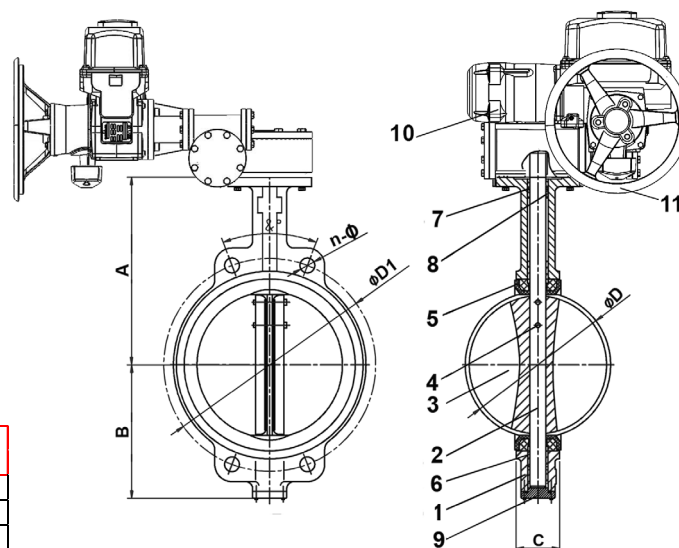
GENERAL CHARACTERISTICS

Design in accordance with NF EN 593.
Tightness in both ways.
Sleeve internally reinforced in aluminium giving a low torque.
Two kinds of construction:
- wafer type with smooth ears from DN350 to DN600;
- with middle flange having smooth holes from DN700 to DN1200.
Self lubricant bearing in copper alloy.



CONSTRUCTION

| | | | |
|-------------|-------------|--------------------|------------------------------|
| 11 | 1 | Handwheel | |
| 10 | 1 | Electric actuator | BERNARD |
| 9 | 1 | Cover | Ductile iron |
| 8 | | Bushing | Copper alloy |
| 7 | 1 | O ring | NBR |
| 6 | | Bushing | Copper alloy |
| 5 | 1 | Sleeve | Heat EPDM |
| 4 | | Pin | Stainless steel 410 |
| 3 | 1 | Disc | Ductile iron EN-GJS400-15 |
| 2 | | Stem | Stainless steel 410 |
| 1 | 1 | Body | Ductile iron EN-GJS400-15 |
| Pos. | Q-ty | Description | Material |



DN350 - DN600

DIMENSIONS

| DN mm | inch | A | B | C | ØD | Output flange | | ØD1 | n-φ | 4-M | ε° | Actuator reference | Weight (kg) |
|----------|------|-----|-----|------|--------|---------------|----------|------|-------|-------|-------|-----------------------|----------------|
| | | | | | | ISO 5211 | ISO 5210 | | | | | | |
| 350 | 14" | 368 | 267 | 76,5 | 333,5 | F14 | F10 | 460 | 16-23 | - | 22,5 | ASM6 | 88 |
| 400 | 16" | 400 | 309 | 102 | 389,6 | F14 | F10 | 515 | 16-28 | - | 22,5 | ASM6 | 117 |
| 450 | 18" | 422 | 340 | 114 | 440,5 | F14 | F10 | 565 | 20-28 | - | 18 | ASM6 | 137 |
| 500 | 20" | 442 | 365 | 127 | 491,6 | F14 | F10 | 620 | 20-28 | - | 18 | ASM6 | 144 |
| 600 | 24" | 562 | 459 | 151 | 592,5 | F16 | F10 | 725 | 20-31 | - | 18 | ASM6 | 244 |
| 700 | 28" | 624 | 520 | 163 | 695 | F25 | F10 | 840 | 20-31 | 4-M27 | 15 | ASM6 | 401 |
| 800 | 32" | 672 | 591 | 188 | 794,7 | F25 | F10 | 950 | 20-34 | 4-M30 | 15 | ASM10 | 506 |
| 900 | 36" | 720 | 656 | 203 | 864,7 | F25 | F10 | 1050 | 24-34 | 4-M30 | 12,85 | ASM10 | 669 |
| 1000 | 40" | 800 | 722 | 216 | 965 | F25 | F14 | 1160 | 24-37 | 4-M33 | 12,85 | ASM16 | 862 |
| 1200 | 48" | 941 | 864 | 276 | 1160,6 | F30 | F14 | 1380 | 28-41 | 4-M36 | 11,25 | ASM16 | 1251 |

WORKING CONDITIONS

Maximum working pressure : 10 bar.
Maximum working temperature : -15 °C / +130 °C.
Peak temperature : -30°C / + 150°C

STANDARDS

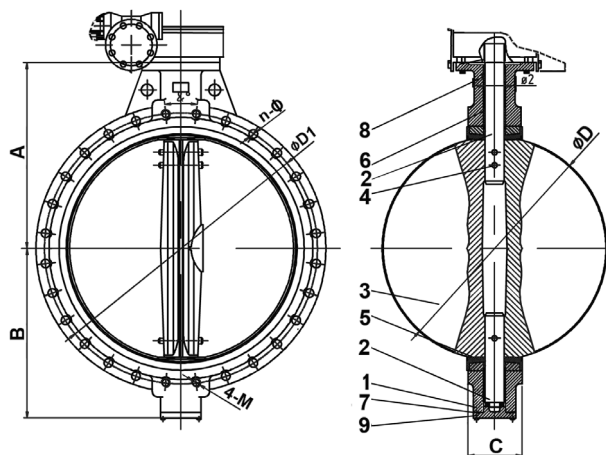
Manufacture according to the requirements of the European directive 2014/68/UE «Equipments under pressure» : modulate H.
Pressure test according to standards EN 12266-1, DIN 3230, BS 5154 and ISO 5208 :

Body : 15 bar.

Seat : 11 bar.

Face to face according to standard EN 558-1 serie 20, ISO 5752 serie 20 and DIN 3202.

Wafer type ISO PN10 connections according to standard EN 1092-2.



DN700 - DN1200