

Ref. : VP 6447-02.pas

Rev. : Initial

Date : 19/09/2013

Page : 1/1

ROBINET A PAPILLON HAUTE PERFORMANCE TYPE TECSUP

VP 6447-02



APPLICATION

General use: High temperature smokes, powders.

CARACTERISTIQUES GENERALES

Du DN 40 au DN 200.

Long neck for isolation

ISO 5211 mounting pad, wafer type.

Crossing stem.

No tightness , loss factor : 2% of Kvs

Stainless steel disc up to DN100 included.

Ductile iron disc rilsan coated +/- 300 µ.

9 positions lever, with locking device.

CONSTRUCTION

6	1	Handle	Aluminium
5	1	Plate	Stainless steel ASTM A351 CF8M
4	1	Pin	Stainless steel 316
3	1	Stem	Stainless steel 316
2	1	Disc	Stainless steel ASTM A351 CF8M
1	1	Body	Stainless steel ASTM A351 CF8M
Pos.	Q-ty	Description	Material

DIMENSIONS

DN		A	B	ØDe	E	ØF	ØG	ØP	ØT	Weight (kg)
mm	inch									
40	1 1/2	206	140	82	33	10.5	110	88	18	3.1
50	2"	228	162	102	43	10.5	125	88	18	4.27
65	2 1/2	243	185	119	46	14.5	145	88	18	5.27
80	3"	266	207	135	46	16.5	160	88	18	5.78
100	4"	294	229	155	52	16.5	180	88	18	7.4
125	5"	324	256	185	56	18.5	210	105	18	10.15
150	6"	349	281	208	56	18.5	240	105	23	11.74
200	8"	438	354	270	60	22.5	295	105	23	19.6

WORKING CONDITIONS

Maximum working temperature : -30°C / 350°C

Maximum working pressure: 16 bar

STANDARDS

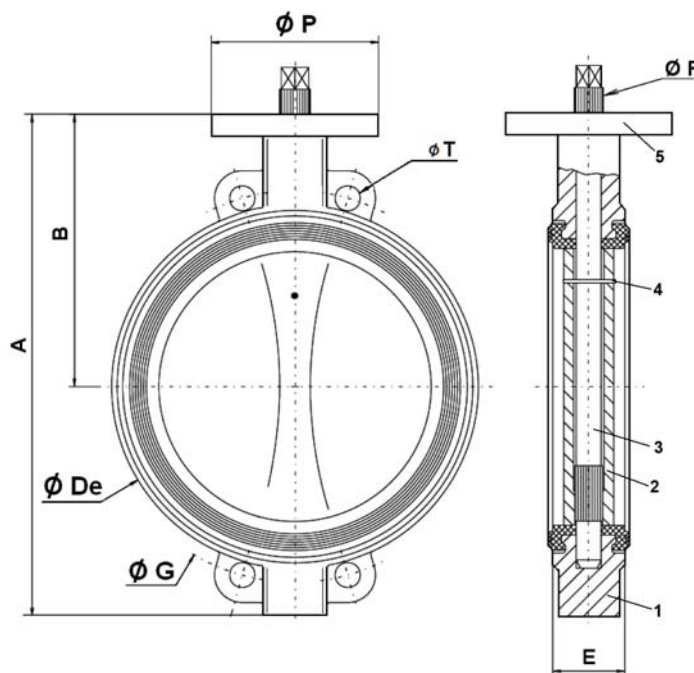
Fabrication according to ISO 9001:2008

face to face according to ISO 5752 short serie 20, EN 558 serie 20

(NF 29305), BS 5155 Wafer short/medium, DIN 3202 part 3, serie K1.

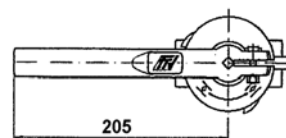
Tests according to ISO 5208.

Connection between flanges ISO PN10/PN16 according to EN 1092-1 and ISO PN20/ANSI150.



Handle types

DN 40 - 100



DN 125 - 200

