

Ref. : VP 6441-02.pas

Rev. : A

Date : 17/06/09

Page : 1/1

CLASS 150 HIGH PERFORMANCE BUTTERFLY VALVES TECSUP TYPE VP 6441-02



Tecofi'Φ

VALVE DESIGNER - FRANCE

APPLICATION

General use : Liquids, steam, gases, fluids in thermal power plants, petrochemical industries...

GENERAL CHARACTERISTICS

From DN 50 to DN 150.
Wafer.
Bi-directional sealing.
Eccentric shaft.
Lever.

CONSTRUCTION

6	1	Handle	Steel	
5	1	Seat retainer	Stainless steel CF8M	
4	1	Seat	PTFE / Stainless steel	
3	1	Stem	Stainless steel 17-4PH	
2	1	Disc	Stainless steel 316	DIN: GX5CrNiMo 19-11-2 ASTM: Grade A351 CF8M BS: 316 C16
1	1	Body	Stainless steel 316	DIN: GX5CrNiMo 19-11-2 ASTM: Grade A351 CF8M BS: 316 C16
Pos.	Qty.	Description	Material	

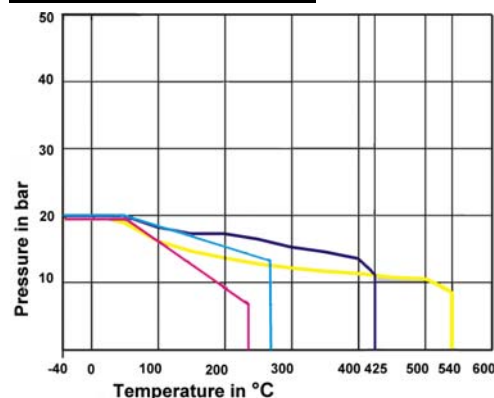


DIMENSIONS

DN		A	B	C	Ø D	d	E	F	Weight (kg)
mm	inch								
50	2"	43	145	105	60	47.5	30	300	4,5
65	2 1/2"	46	155	115	73	58	30	300	6,5
80	3"	48	165	125	89	70	30	300	7,5
100	4"	54	185	135	114	87	30	300	9,5
125	5"	57	200	155	142	117	30	300	13
150	6"	57	215	175	168	141	30	300	15

Internal diameter of pipe should be at least 3 mm more than 'd'.

WORKING CONDITIONS



Class 150

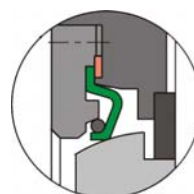
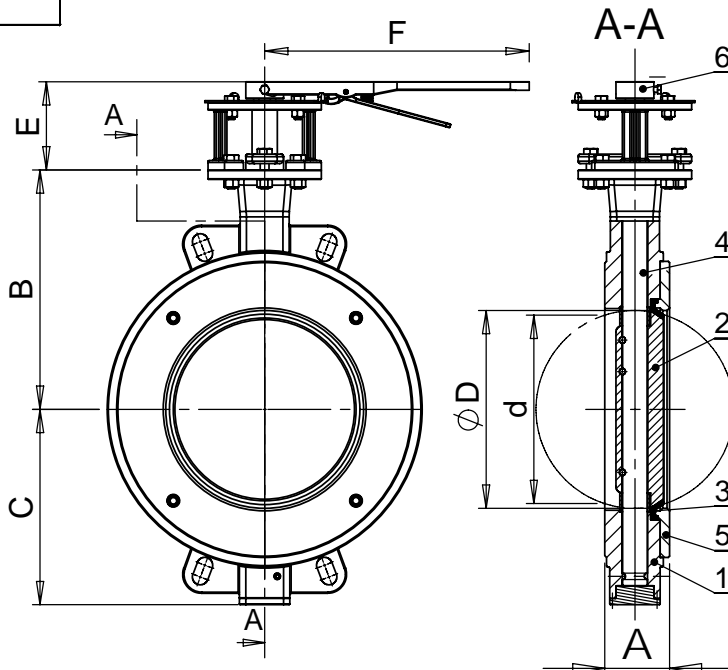
- WCB (metal seat)
- CF8 & CF8M (metal seat)
- PTFE
- CFT / GFT (RPTFE)

Test procedures are established according to standards API 598 and FCI 70-2 rate IV.

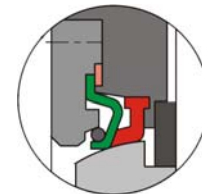
Body : 30 bar.
Seat : 22 bar.
Metal seat : 4 bar.

STANDARDS

Design according to standard API 609.
Face to face according to standard API 609.
Between flanges ends according to standard ASME B 16.5 Class 150.



Metal / metal tightness



PTFE tightness

TECOFI France - 83, Rue Marcel Mérieux 69960 Corbas - FRANCE
Tél. +33 (0) 4 72 79 05 79 - Fax +33 (0) 4 78 90 19 19 / +33 (0) 4 72 79 05 70
Adresses e-mail : sales@tecofi.fr ; tecofi@tecofi.fr / Site web : www.tecofi.fr