

# BUTTERFLY VALVE TECFLON WITH HANDLE

## TECHNICAL PASSPORT

### BUTTERFLY VALVE TECFLON- DUCTILE IRON BODY WITH HANDLE - LUGGED TYPE

VP4649RA-02PTFE

#### APPLICATION

TECFLON butterfly valves are intended for ON/OFF or control use in fluid transfer circuits.

- **Area of use:** ingeneering, chemical and petrochemical industry, sewage treatment plants.

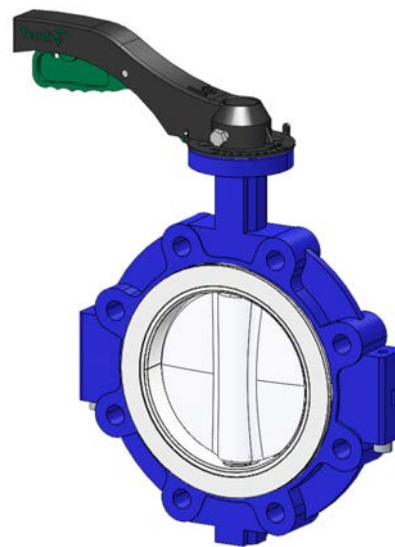


- **Fluids:** waste water, liquid waste, corrosive products, hydrocarbons, etc.  
«Not suitable for steam application»

#### GENERAL CHARACTERISTICS

**Range:** from DN40 to DN100.

- Type with threaded ears
- Sealing in both directions of circulation of the piping.
- Stainless steel disc.
- PTFE sleeve with viton backup pad.
- Extended neck compatible with pipe lapping
- Reduced maneuvering torque.
- Reduced head losses.
- Notched sector providing 10 positions of adjustment of the handle.
- ISO 5211 mounting plate.



#### STANDARDS

<b>Design</b>	Manufacture according to the requirements of the European directive 2014/68/UE «Equipment under pressure»: modulate H.
<b>Face to face</b>	Face to face dimension according to EN558-1.
<b>Connection</b>	Mounting with flanges ISO PN10/16 according to EN1092-2.
<b>Tests</b>	Pressure test according to standards EN12266-1, DIN 3230 and ISO 5208: -Body: 24 bar -Seat: 17.6 bar

#### PRODUCT APPROVALS



#### Tecofi France

83 rue Marcel Mérieux - 69960 Corbas  
Tél. +33 (0)4 72 79 05 79 - Fax. +33 (0)4 78 90 19 19  
E-mail : sales@tecofi.fr - [www.tecofi.fr](http://www.tecofi.fr)

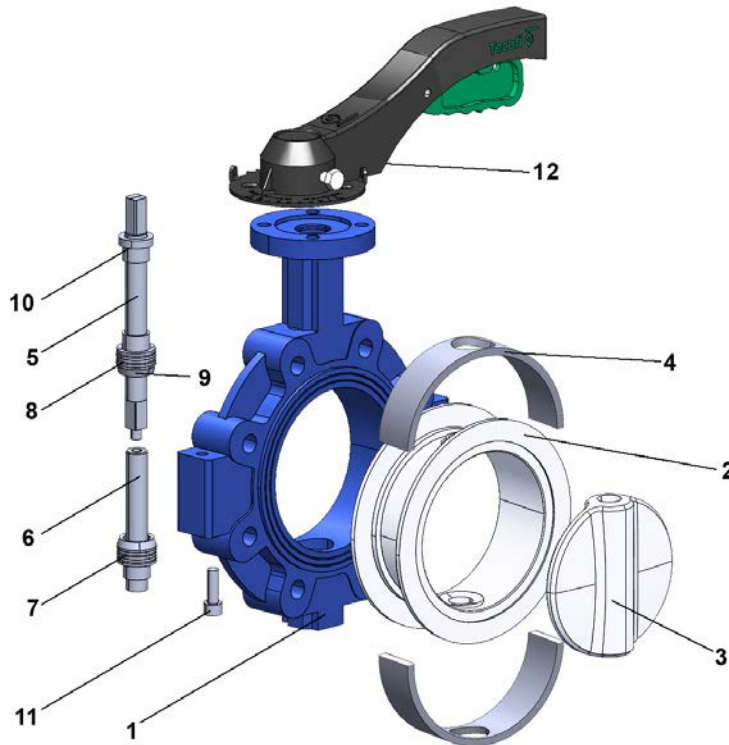


# BUTTERFLY VALVE TECFLON WITH HANDLE

TECHNICAL PASSPORT

VP4649RA-02PTFE

## CONSTRUCTION



Oven backed epoxy coated body RAL 5015 thickness 250μ

Pos.	Description	Material	Equivalences		
			DIN	ASTM	BS
1	Body	Ductile iron EN-GJS-500-7	GGG50	A536 65-70-50-05	1563 EN-JS1050
2	Sleeve	PTFE + FPM (Viton®)			
3	Disc	Stainless steel CF8M + PTFE			
4	Seat energizer	Viton			
5	Up shaft	Stainless steel 410			
6	Down shaft	Stainless steel 410			
7	Bushing	PTFE			
8	Bushing	PTFE			
9	Support	Stainless steel			
10	Bushing	PTFE			
11	Screw	Stainless steel			
12	Handle	Ductile iron			

The photographs and technical art works are not contractual. The specifications of the presented products are open to modifications without previous advice.

**Tecofi France**

83 rue Marcel Mérieux - 69960 Corbas  
Tél. +33 (0)4 72 79 05 79 - Fax. +33 (0)4 78 90 19 19  
E-mail : sales@tecofi.fr - [www.tecofi.fr](http://www.tecofi.fr)

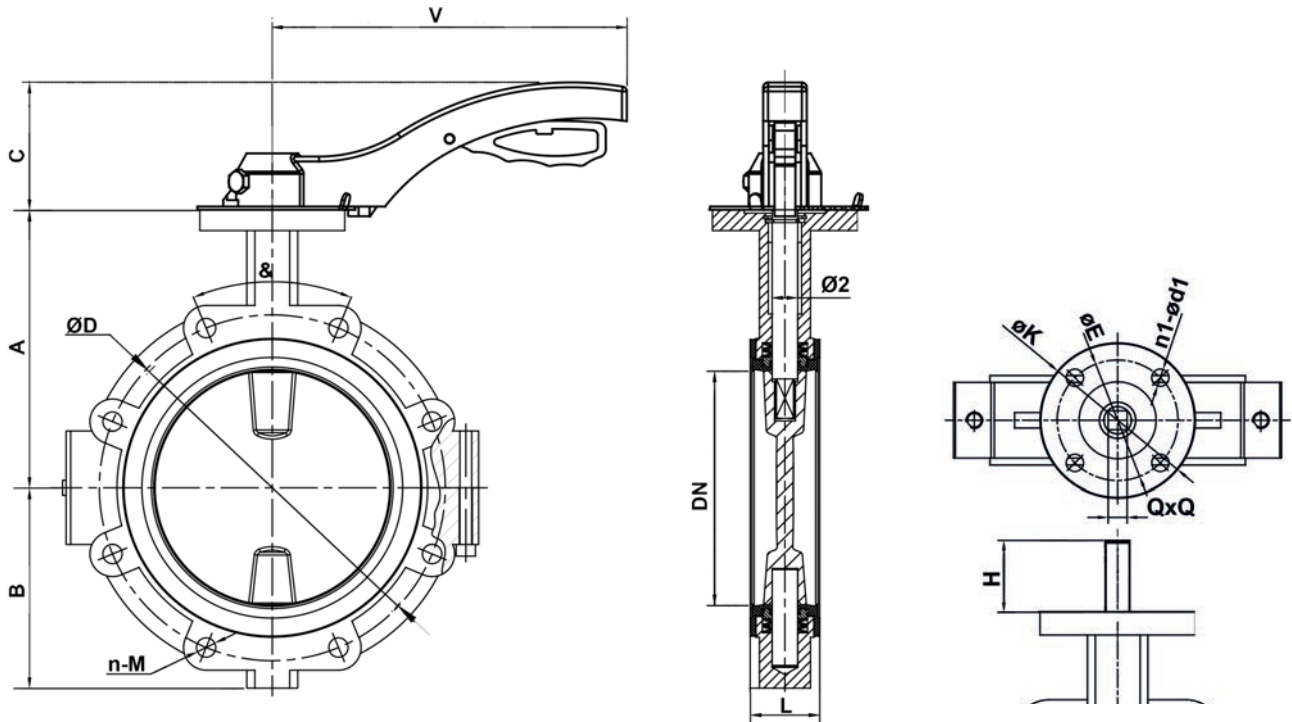


## BUTTERFLY VALVE TECFLON WITH HANDLE

TECHNICAL PASSPORT

VP4649RA-02PTFE

### DIMENSIONS



DN		A	B	C	Ø2	V	E	L	H	ISO plate				ØD	n-M	D	Q	Torque* Nm	Weight (kg)
mm	inch									ISO	ØK	ØE	n1-Ød1						
40	1 1/2"	135	70	32	12.6	170	96	43	14	F05	65	50	4-Ø7	110	4-M16	110	9	14	4.1
50	2"	140	75	32	12.6	170	132	43	14	F05	65	50	4-Ø7	125	4-M16	125	9	15	4.28
65	2 1/2"	150	82	32	12.6	170	146	46	14	F05	65	50	4-Ø7	145	4-M16	145	9	24	5.08
80	3"	160	90	32	12.6	170	164	46	14	F05	65	50	4-Ø7	160	8-M16	160	9	36	6.24
100	4"	178	118	32	15.77	215	196	52	14	F07	90	70	4-10	180	8-M16	180	11	60	8.46

\* Value without safety factor, obtained under 16 bar of differential pressure

**Tecofi France**

83 rue Marcel Mérieux - 69960 Corbas  
 Tél. +33 (0)4 72 79 05 79 - Fax. +33 (0)4 78 90 19 19  
 E-mail : sales@tecofi.fr - [www.tecofi.fr](http://www.tecofi.fr)



# BUTTERFLY VALVE TECFLON WITH HANDLE

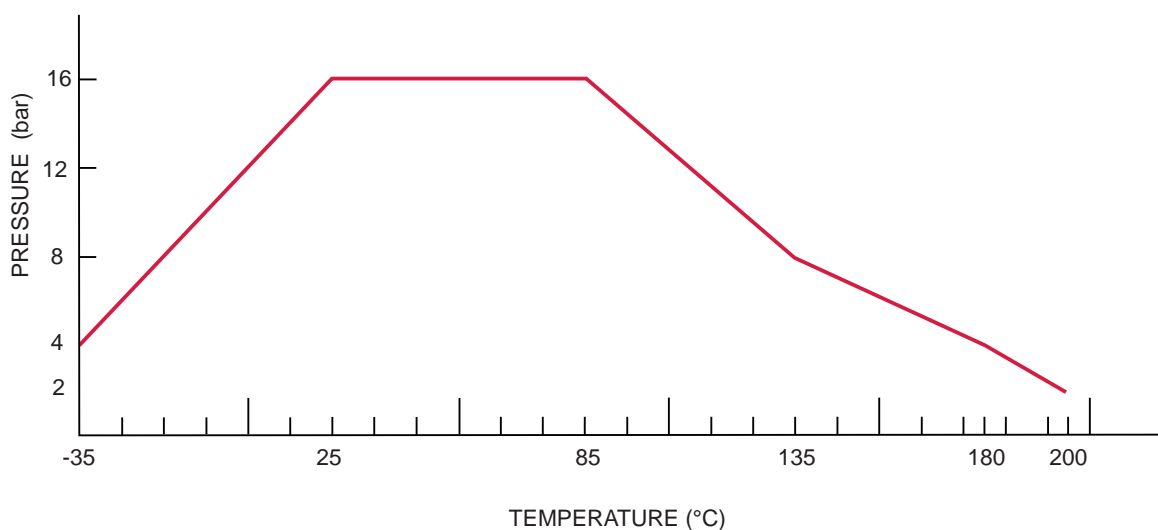
## TECHNICAL PASSPORT

**VP4649RA-02PTFE**

### WORKING CONDITIONS

Maximum working pressure : 16 bar  
Maximum working temperature : -20°C / +190°C

PTFE : PRESSURE TEMPERATURE GRAPHS



### Flow factor - Kv (m<sup>3</sup>/h)

DN		Opening angle								
mm	inch	10°	20°	30°	40°	50°	60°	70°	80°	90°
40	1"1/2	0,03	3	5	10	20	28	40	52	59
50	2"	0,07	3	9	17	33	47	66	91	99
65	2"1/2	0,15	6	15	27	47	72	105	149	161
80	3"	0,2	9	16	28	52	85	134	202	222
100	4"	0,4	12	27	57	102	169	266	400	440

### Tecofi France

83 rue Marcel Mérieux - 69960 Corbas  
Tél. +33 (0)4 72 79 05 79 - Fax. +33 (0)4 78 90 19 19  
E-mail : sales@tecofi.fr - [www.tecofi.fr](http://www.tecofi.fr)

