

BUTTERFLY VALVE TECFLON WITH HANDLE

TECHNICAL PASSPORT

BUTTERFLY VALVE TECFLON- DUCTILE IRON BODY WITH HANDLE

VP4649R-02PTFE

APPLICATION

TECFLON butterfly valves are intended for ON/OFF or control use in fluid transfer circuits.

- **Area of use:** ingeneering, chemical and petrochemical industry, sewage treatment plants.



- **Fluids:** waste water, liquid waste, corrosive products, hydrocarbons, etc.
«Not suitable for steam application»



GENERAL CHARACTERISTICS

Range: from DN40 to DN100.

- Type with threaded ears
- Sealing in both directions of circulation of the piping.
- Stainless steel disc.
- PTFE sleeve with viton backup pad.
- Extended neck compatible with pipe lapping
- Reduced maneuvering torque.
- Reduced head losses.
- Notched sector providing 10 positions of adjustment of the handle.
- ISO 5211 mounting plate.

STANDARDS

Design	Manufacture according to the requirements of the European directive 2014/68/UE «Equipment under pressure»: modulate H.
Face to face	Face to face dimension as per API 609 & ISO 5752 series 20.
Connection	Mounting with flanges ISO PN16 according to EN1092-2.
Tests	Pressure test according to standards EN12266-1, DIN 3230 and ISO 5208: -Body: 24 bar -Seat: 17.6 bar

PRODUCT APPROVALS



Tecofi France

83 rue Marcel Mérieux - 69960 Corbas
Tél. +33 (0)4 72 79 05 79 - Fax. +33 (0)4 78 90 19 19
E-mail : sales@tecofi.fr - www.tecofi.fr

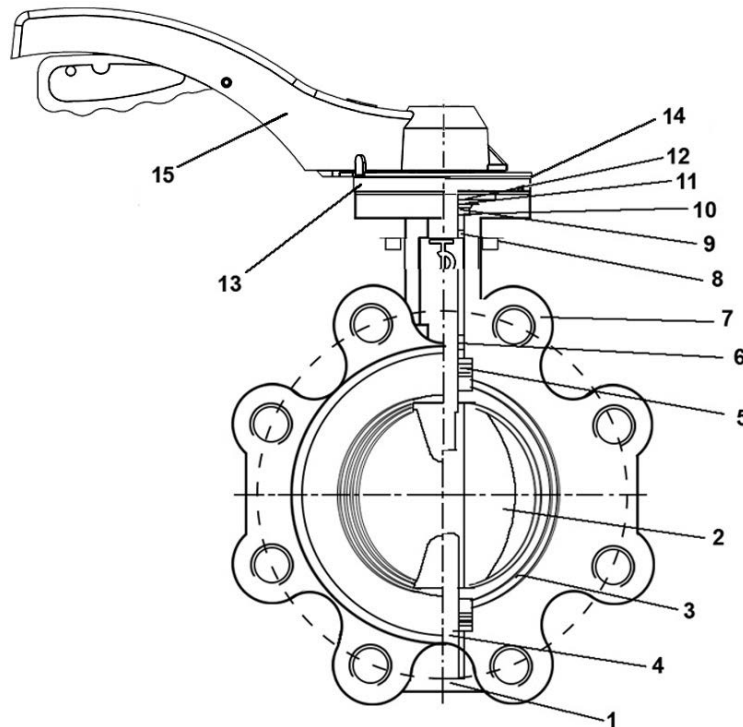


BUTTERFLY VALVE TECFLON WITH HANDLE

TECHNICAL PASSPORT

VP4649R-02PTFE

CONSTRUCTION



Oven backed epoxy coated body RAL 5019 thickness 250µ

Pos.	Description	Material	Equivalences		
			DIN	ASTM	BS
1	Body	Ductile iron EN-GJS-500-7	GGG50	A536 65-70-50-05	1563 EN-JS1050
2	Disc	Stainless steel CF8M + PTFE			
3	Sleeve	PTFE + FPM (Viton®)			
4	Stem	Stainless steel 316			
5	Joint	FRP (Fiber reinforced plastic)			
6	Bushing	FRP (Fiber reinforced plastic)			
7	Body	Ductile iron EN-GJS-500-7	GGG50	A536 65-70-50-05	1563 EN-JS1050
8	Bushing	FRP (Fiber reinforced plastic)			
9	Ring	Steel			
10	Stem circlip	Steel			
11	Ring	Steel			
12	Circlip	Steel			
13	Spacer	Plastic			
14	Notched sector	Steel			
15	Handle	Ductile iron			

Tecofi France

83 rue Marcel Mériex - 69960 Corbas
Tél. +33 (0)4 72 79 05 79 - Fax. +33 (0)4 78 90 19 19
E-mail : sales@tecofi.fr - www.tecofi.fr

ISO 9001
ISO 14001
BUREAU VERITAS
Certification



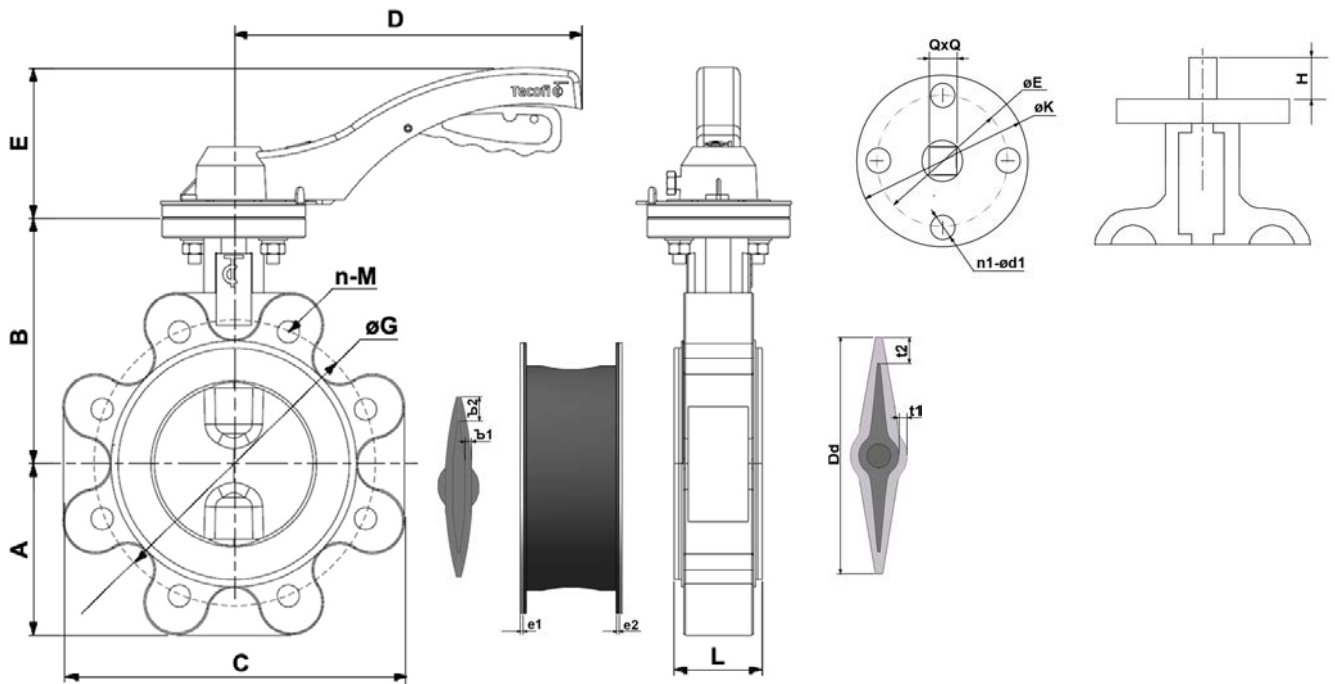
Page 2/3

BUTTERFLY VALVE TECFLON WITH HANDLE

TECHNICAL PASSPORT

VP4649R-02PTFE

DIMENSIONS



DN		A	B	C	L	H	Upper plate				øG	n-M	D	Q	Dd	t1	t2	PTFE thickness e1	Viton thickness e2	Maximum possible vacuum (kPa)	KVs (m³/h)	Torque Nm	Weight (kg)
mm	inch						ISO	K	E	n1-ød1													
40	1 1/2	62	130	143	47	32	F05	65	87	4-Ø7	110	4-M16	170	9	-	4±0.3	7±0.3	2	2	50	-	25	3.47
50	2"	62	136	153	47	32	F05	65	87	4-Ø7	125	4-M16	170	9	51.9	4±0.3	7±0.3	2	2	50	111.2	25	3.47
65	2 1/2	72	138	155	50	32	F05	65	87	4-Ø7	145	4-M16	170	9	66.4	4.5±0.3	8±0.3	2	2	50	179.6	30	4.1
80	3"	78	140	180	50	32	F05	65	87	4-Ø7	160	8-M16	170	9	77.9	5±0.3	8.5±0.3	2	2	50	256.5	45	4.55
100	4"	105	158	198	55.5	32	F07	90	103	4-Ø10	180	8-M16	215	11	102.9	5.5±0.5	13±0.5	2.3	2.2	50	513	65	6.8

WORKING CONDITIONS

Maximum working pressure : 16 bar
 Maximum working temperature : -20°C / +190°C

Tecofi France

83 rue Marcel Mérieux - 69960 Corbas
 Tél. +33 (0)4 72 79 05 79 - Fax. +33 (0)4 78 90 19 19
 E-mail : sales@tecofi.fr - www.tecofi.fr

