

Ref. : VP 4649-08PTF

Rev. : A

Date : 16/12/2014

Page : 1/1

PTFE LUG TYPE BUTTERFLY VALVE

VP 4649-08PTF



Tecofi
VALVE DESIGNER - FRANCE

APPLICATION

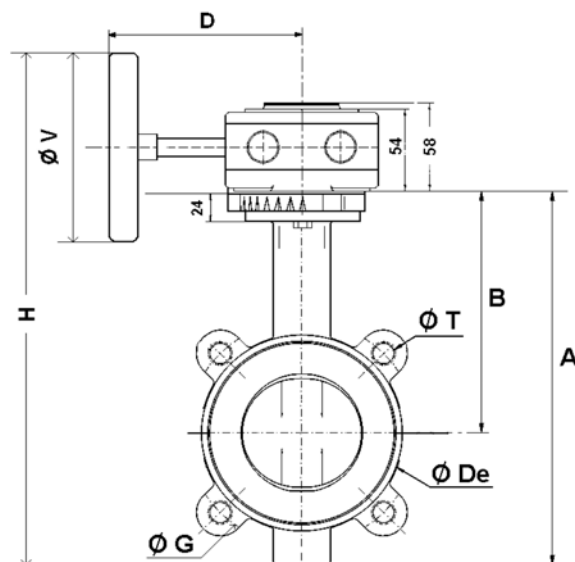
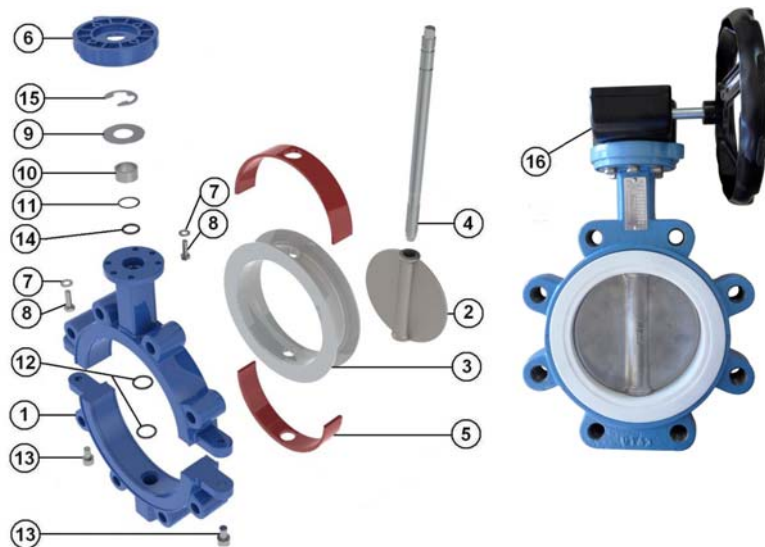
General use : for corrosive fluids (acids ...)

GENERAL CHARACTERISTICS

From DN40 to DN300.
Long neck for isolation.
ISO 5211 mounting pad, lug type.
2 parts body, full crossing stem.
PTFE sealing ring 3 mm thickness with silicone elastic gasket 6 mm thickness.
Stainless steel PTFE lined disc.
Rilsan coated body color RAL 5024 , 250-300 microns thickness.
Operating by gear box.

CONSTRUCTION

16	Gear box	
15	Circlips	Stainless steel 316
14	O ring	FKM
13	Screw	A4
12	O ring	FKM
11	O ring	FKM
10	Socket	Stainless steel 316
9	Ring	Stainless steel 316
8	Plate screw	A4
7	Washer	A4
6	Plate	Aluminium
5	Insert	Silicone
4	Stem (DN40-200)	Stainless steel 316
	Stem (DN250-300)	Stainless steel 17 4-PH (630)
3	Sleeve	PTFE
2	Disc	Stainless steel ASTM A351 CF8M
1	Body	Ductile iron EN-GJS-500-7
Pos.	Description	Material



DIMENSIONS

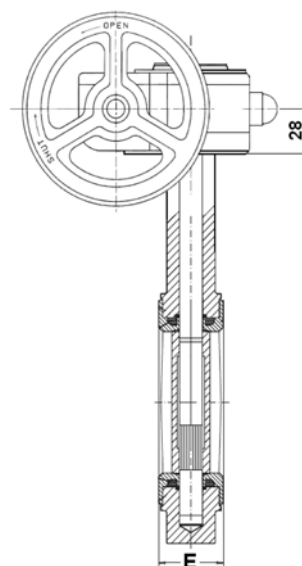
DN	A		B		ØDe	D	E	H	ØG	ØT	ØV	Weight (kg)
	mm	inch	mm	inch								
40	1"1/2	205	140	82	120	33	304	110	16	140	4.35	
50	2"	226	156	103	120	43	326	125	16	140	5.35	
65	2"1/2	242	161	116	120	46	341	145	16	140	6.35	
80	3"	257	167	134	120	47	364	160	16	140	7.85	
100	4"	288	184	153	120	52	392	180	16	140	9.35	
125	5"	325	207	185	136	56	452	210	16	200	12.75	
150	6"	346	215	208	136	56	477	240	20	200	14.75	
200	8"	437	257	270	136	60	566	295	20	200	23.75	
250	10"	448	248	320	223	68	634	350	20	300	41.00	
300	12"	514	280	373	223	78	701	400	20	300	62.00	

WORKING CONDITIONS

Maximum working temperature : -25°C / 200°C
Maximum working pressure: 16 bar from DN40 to DN150
10 bar from DN200 to DN300

STANDARDS

Fabrication according to ISO 9001:2008.
Tests according to ISO 5208, A class.
Between flanges according to EN 1092-1 PN16 from DN40 to DN150 and PN10 from DN200 to DN300.
Face to face according to ISO 5752 short series 20, EN 558 series 20 (NF 29305), BS 5155 Wafer short/medium, DIN 3202 part 3, series K1.



TECOFI France - 83, Rue Marcel Mérieux 69960 Corbas - FRANCE
Tél. +33 (0) 4 72 79 05 79 - Fax +33 (0) 4 78 90 19 19 / +33 (0) 4 72 79 05 70
Adresses e-mail : sales@tecofi.fr ; tecofi@tecofi.fr / Site web : www.tecofi.fr