

Ref. : VP 4508-BX4.pas

Rev. : C

Date : 12/02/2010

Page : 1/1

# FLANGED TYPE BUTTERFLY VALVE WITH "BERNARD" ELECTRIC ACTUATOR TECLARGE FL



## PRODUCT REFERENCE

	REFERENCES	Electric actuator type
<input type="checkbox"/>	VP4508-B04	BERNARD 400V 3 PH
<input type="checkbox"/>	VP4508-B14	BERNARD 230V 3 PH
<input type="checkbox"/>	VP4508-B24	BERNARD 230V 1 PH
<input type="checkbox"/>	.....	.....

## APPLICATION

General use : water, sludge, etc.

## GENERAL CHARACTERISTICS

Design in accordance with NF EN 593.  
Tightness in both ways, NF EN 12266-1, ISO 5208, DIN 3230.  
Sleeve internally reinforced in aluminium giving a low torque.  
Crossing stem.  
Self lubricant bearing in copper alloy.  
Supplementary tightness on stem by o'ring.  
Dovetail type sleeve.

## CONSTRUCTION

6	1	Electric actuator		BERNARD
5	1	Bottom cover	EN-GJL-250	DIN: GG25 ASTM: A48 class 40B BS: 1452 Grade 250
4	1	Stem	Stainless steel 410	DIN: 1.4006 ASTM: AISI 410 BS: 410 S 21
3	1	Sleeve	Heat EPDM	
2	1	Disc	EN-GJS-400-15	DIN: GGG 40 ASTM: A536 65-45-12 BS: EN-JS1030
1	1	Body	EN-GJS-400-15	DIN: GGG 40 ASTM: A536 65-45-12 BS: EN-JS1030

## DIMENSIONS

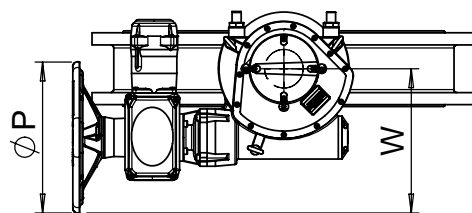
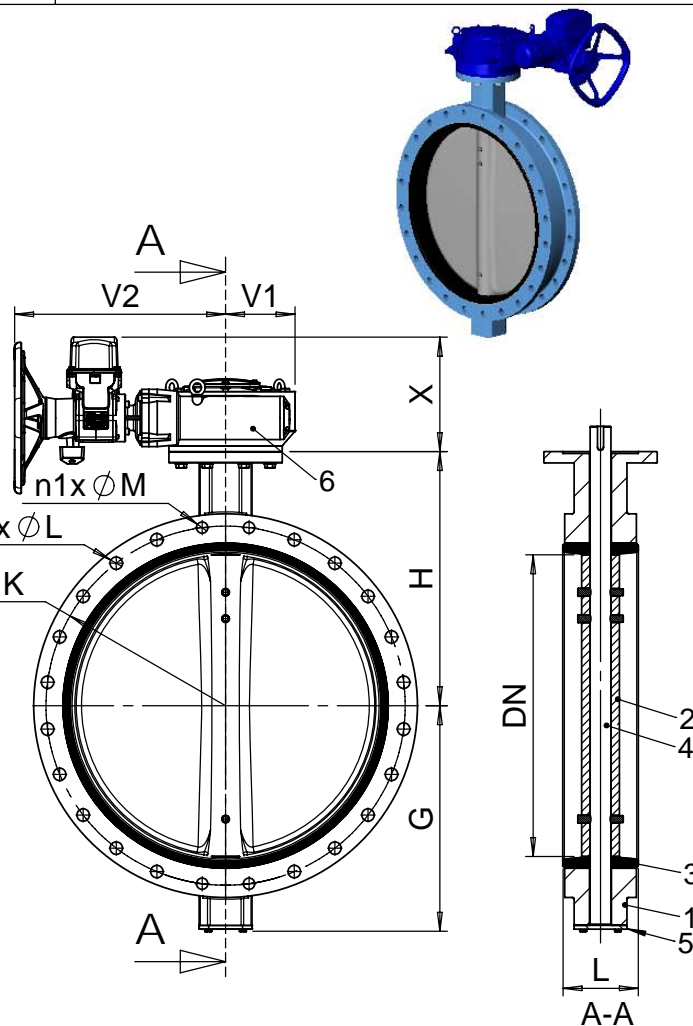
DN	ISO	G	H	L	Ø K	n1 x Ø M	n2 x Ø L	Weight	Weight	Weight	
								(kg)	(kg)	(kg)	
mm	inch							VP4508-B04	VP4508-B14	VP4508-B24	
350	14"	F10	267	368	78 (92)*	460	-	16 x Ø23	91	91	91
400	16"	F14	309	400	102	515	-	16 x Ø27	129	136	136
450	18"	F14	329	422	114	565	-	20 x Ø26	222	222	229
500	20"	F14	361	480	127	620	-	20 x Ø27	237	237	244
600	24"	F16	459	562	154	725	-	20 x Ø30	337	337	344
700	28"	F25	537	624	165	840	4 x M27	20 x Ø30	499	-	-
800	32"	F25	609	672	190	950	4 x M30	20 x Ø33	583	-	-
900	36"	F25	672	720	203	1050	4 x M30	24 x Ø33	979	979	986
1000	40"	F25	732	802	216	1160	4 x M33	24 x Ø36	1024	1024	1031
1200	48"	F30	863	942	254	1380	4 x M36	28 x Ø39	2056	-	-

\* L = 92 on request

DN		Differential pressure : 10 bar						Actuator ref
mm	inch	X	P	V1	V2	W		
350	14"	208	250	340	169	226	AS 80	
400	16"	283	300	114	405	236	AS 100	
450	18"	281	300	188	475	333	AS 200	
500	20"	281	300	188	475	333	AS 200	
600	24"	281	300	148	497	338	AS 400	
700	28"	303	400	184	558	382	AS 600	
800	32"	303	400	184	558	382	AS 600	
900	36"	381	300	184	596	332	AS1000	
1000	40"	381	300	184	596	332	AS1000	
1200	48"	363	300	237	854	265	ASM1+MF40G	

## PRESSURE TEMPERATURE RATING

Maxi working pressure: 10 bar.  
Working temperature: -15°C / +130°C.  
Peak temperature: -30°C / +150°C



## STANDARDS

Manufacture according to the requirements of the European directive 97/23/CE «Equipments under pressure» : category III modulate H.  
Pressure test according to standards EN 12266-1, DIN 3230, BS 5154 and ISO 5208 :  
Body : 15,5 bar.  
Seat : 11 bar.  
Face to face according to standard EN 558-1 serie 20, ISO 5752 serie 20 and DIN 3202.  
Flanged type PN10 according to standard EN 1092-2.

**TECOFI France** - 83, Rue Marcel Mérieux 69960 Corbas - FRANCE  
Tél. +33 (0) 4 72 79 05 79 - Fax +33 (0) 4 78 90 19 19 / +33 (0) 4 72 79 05 70  
Adresses e-mail : sales@tecofi.fr ; tecofi@tecofi.fr / Site web : www.tecofi.fr