

BUTTERFLY VALVE TECFLON WITH GEARBOX

TECHNICAL PASSPORT

BUTTERFLY VALVE TECFLON- DUCTILE IRON BODY WITH GEARBOX - BETWEEN FLANGES PN10/16

VP4449RA-08PTFE

APPLICATION

TECFLON butterfly valves are intended for ON/OFF or control use in fluid transfer circuits.

- **Area of use:** ingeneering, chemical and petrochemical industry, sewage treatment plants.



- **Fluids:** waste water, liquid waste, corrosive products, hydrocarbons, etc.
«Not suitable for steam application»

GENERAL CHARACTERISTICS

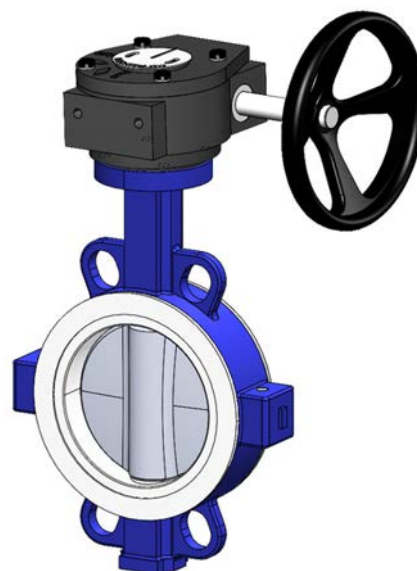
Range: from DN125 to DN600.

- Type with smooth ears
- Sealing in both directions of circulation of the piping.
- Stainless steel disc.
- PTFE sleeve with viton backup pad.
- Extended neck compatible with pipe lapping
- Reduced maneuvering torque.
- Reduced head losses.
- ISO 5211 mounting plate.

STANDARDS

Design	Manufacture according to the requirements of the European directive 2014/68/UE «Equipment under pressure»: modulate H.
Face to face	Écartement suivant la norme EN558-1.
Connection	Mounting between flanges according to EN1092-2, BS450, AISI B16.1-5. : - ISO PN10/16 from DN125 to DN150 - PN16 from DN200 to DN600. - Adjustable between flanges ASME B16.5 Class 150 from DN125 to DN300
Tests	Pressure test according to standards EN12266-1, DIN 3230 and ISO 5208: -Body: 24 bar -Seat: 17.6 bar

PRODUCT APPROVALS



Tecofi France

83 rue Marcel Mérieux - 69960 Corbas
Tél. +33 (0)4 72 79 05 79 - Fax. +33 (0)4 78 90 19 19
E-mail : sales@tecofi.fr - www.tecofi.fr



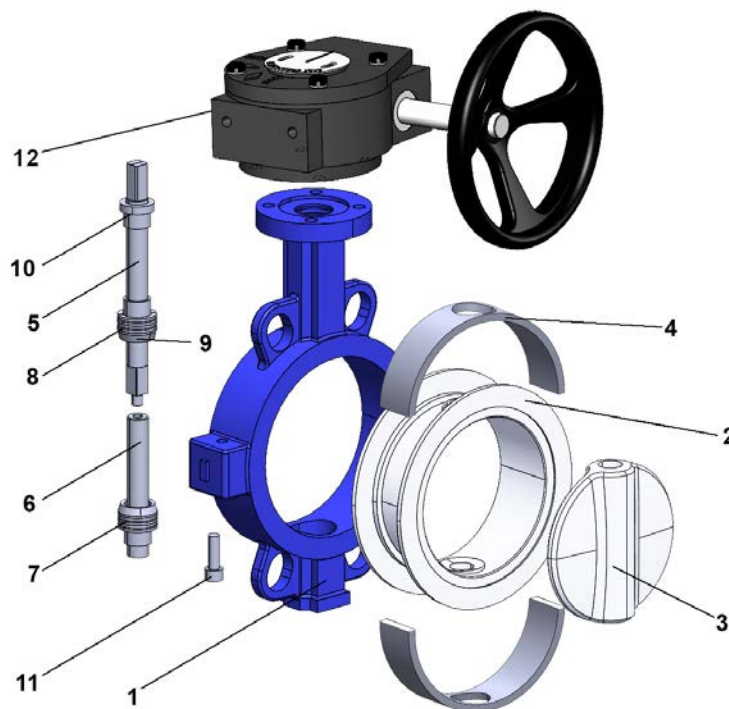
Page 1/5

BUTTERFLY VALVE TECFLON WITH GEARBOX

TECHNICAL PASSPORT

VP4449RA-08PTFE

CONSTRUCTION DN125-300



Oven backed epoxy coated body RAL 5015 thickness 250μ

Pos.	Description	Material	Equivalences		
			DIN	ASTM	BS
1	Body	Ductile iron EN-GJS-500-7	GGG50	A536 65-70-50-05	1563 EN-JS1050
2	Sleeve	PTFE + FPM (Viton®)			
3	Disc	Stainless steel CF8M + PTFE			
4	Seat energizer	Viton			
5	Up shaft	Stainless steel 410			
6	Down shaft	Stainless steel 410			
7	Bushing	PTFE			
8	Bushing	PTFE			
9	Support	Stainless steel			
10	Bushing	PTFE			
11	Screw	Stainless steel			
12	Handle	Ductile iron			

The photographs and technical art works are not contractual. The specifications of the presented products are open to modifications without previous advice.

Tecofi France

83 rue Marcel Mérioux - 69960 Corbas
Tél. +33 (0)4 72 79 05 79 - Fax. +33 (0)4 78 90 19 19
E-mail : sales@tecofi.fr - www.tecofi.fr

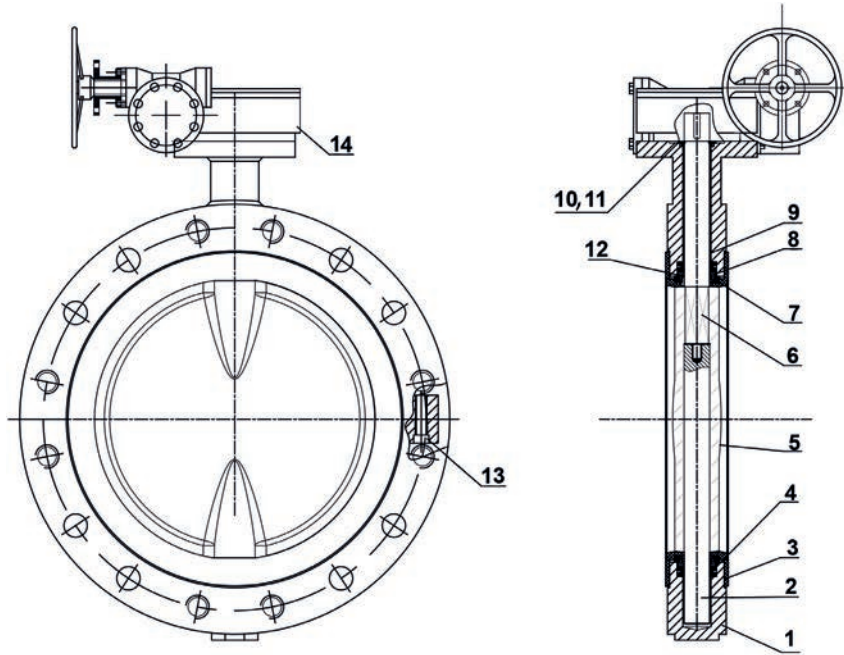


BUTTERFLY VALVE TECFLON WITH GEARBOX

TECHNICAL PASSPORT

VP4449RA-08PTFE

CONSTRUCTION DN350-600



Oven backed epoxy coated body RAL 5015 thickness 250µ

Pos.	Description	Material	Equivalences		
			DIN	ASTM	BS
1	Body	Ductile iron EN-GJS-500-7	GGG50	A536 65-70-50-05	1563 EN-JS1050
2	Down shaft	Stainless steel 431			
3	Sleeve	PTFE			
4	Spring	Stainless steel			
5	Disc	Stainless steel CF8M + PTFE			
6	Up shaft	Stainless steel 410			
7	Seat energizer	(Viton®)			
8	Support	Stainless steel			
9	Bushing	PTFE			
10	Screw	Stainless steel A2			
11	Snap gauge	Steel			
12	O ring	NBR			
13	Screw	Stainless steel A2			
14	Gearbox	Ductile iron			

Tecofi France

83 rue Marcel Mérioux - 69960 Corbas
Tél. +33 (0)4 72 79 05 79 - Fax. +33 (0)4 78 90 19 19
E-mail : sales@tecofi.fr - www.tecofi.fr



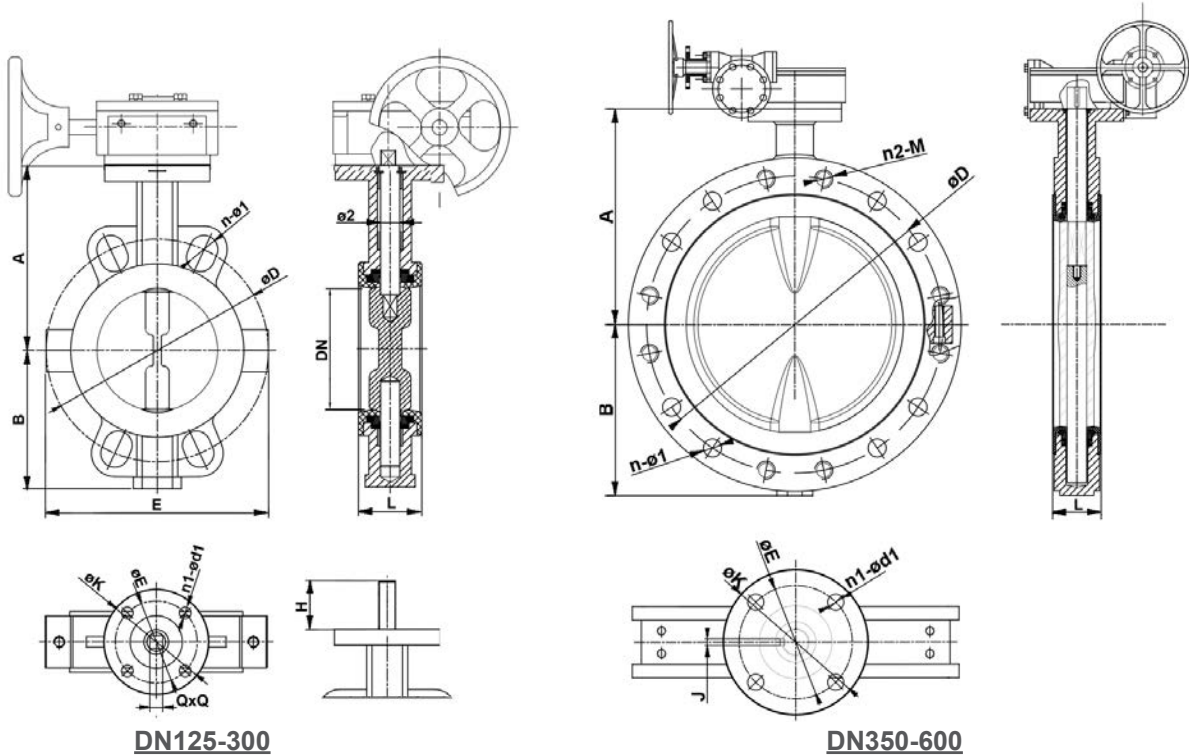
Page 3/5

BUTTERFLY VALVE TECFLON WITH GEARBOX

TECHNICAL PASSPORT

VP4449RA-08PTFE

DIMENSIONS



DN125-300

DN350-600

DN		A	B	L	Ø2	H	ISO plate				ØD	n-Ø1	n2-M	J	Q	Torque* Nm	Weight (kg)
mm	inch						ISO	ØE	ØK	n1-Ød1							
125	5"	190	131	56	18.92	17	F07	70	90	4-10	210	4-Ø19	-	-	14	93	11,50
150	6"	200	145	56	18.92	17	F07	70	90	4-10	240	4-Ø19	-	-	14	145	10,88
200	8"	240	173	60	22.10	22	F10	102	125	4-12	295	4-Ø19	-	-	17	290	19,24
250	10"	273	208	68	28.45	22	F10	102	125	4-12	355	8-Ø19	-	-	22	422	27,10
300	12"	310	244	78	31.60	22	F10	102	125	4-12	410	8-Ø19	-	-	22	588	39,26
350	14"	346	260	78	-	22	F14	140	175	4-18	470	16-Ø28	-	8	-	793	52,40
400	16"	375	290	102	-	36	F14	140	175	4-18	525	16-Ø31	-	10	-	1157	119,80
450	18"	406	325	114	-	36	F14	140	175	4-18	585	20-Ø31	-	10	-	1612	132,00
500	20"	438	360	127	-	36	F14	140	175	4-18	650	12-Ø34	8-M30	14	-	2171	201,50
600	24"	495	422	154	-	46	F16	165	210	4-22	770	12-Ø27	8-M33	16	-	3328	265,00

* Value without safety factor, obtained under 16 bar of differential pressure for DN125-300 and 10 bar for DN350-600

Tecofi France

83 rue Marcel Mérieux - 69960 Corbas
 Tél. +33 (0)4 72 79 05 79 - Fax. +33 (0)4 78 90 19 19
 E-mail : sales@tecofi.fr - www.tecofi.fr



BUTTERFLY VALVE TECFLON WITH GEARBOX

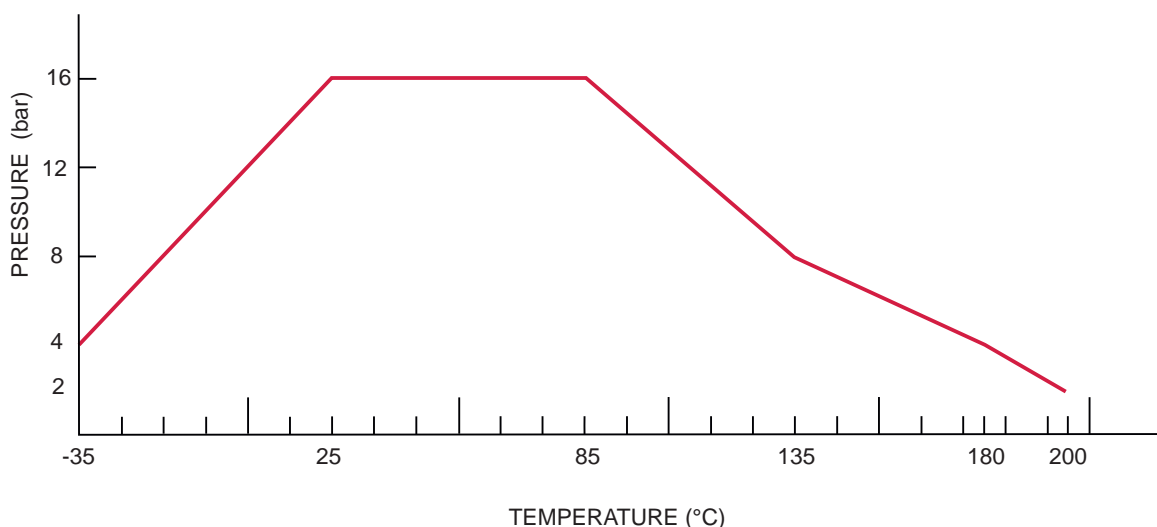
TECHNICAL PASSPORT

VP4449RA-08PTFE

WORKING CONDITIONS

Maximum working pressure : 16 bar
Maximum working temperature : -20°C / +190°C

PTFE : PRESSURE TEMPERATURE GRAPHS



Flow factor - Kv (m³/h)

DN		Opening angle								
mm	inch	10°	20°	30°	40°	50°	60°	70°	80°	90°
125	5"	0,6	22	45	97	173	287	454	682	749
150	6"	1	33	70	150	268	443	702	1053	1157
200	8"	2	66	138	299	533	881	1395	2091	2298
250	10"	3	110	234	509	906	1500	2374	3560	3913
300	12"	4	172	363	785	1400	2317	3667	5501	6046
350	14"	5	247	524	1135	2023	3347	5298	7946	8732
400	16"	6	340	721	1561	2782	4603	7285	10928	12009
450	18"	8	451	954	2068	3684	6097	9649	14473	15904
500	20"	10	711	1227	2659	4737	7839	12406	18609	20450
600	24"	16	896	1896	4107	7320	12111	19166	28751	31594

Tecofi France

83 rue Marcel Mérieux - 69960 Corbas
Tél. +33 (0)4 72 79 05 79 - Fax. +33 (0)4 78 90 19 19
E-mail : sales@tecofi.fr - www.tecofi.fr

