

Ref. : VP 4449R-08PTF

Rev. : B

Date : 05/11/2015

Page : 1/1

PTFE WAFER BUTTERFLY VALVE

VP 4449R-08PTF



Tecofi
VALVE DESIGNER - FRANCE

APPLICATION

General use : for corrosive fluids (acids ...)

GENERAL CHARACTERISTICS

From DN32/40 to DN300.
Long neck for isolation.
ISO 5211 mounting pad, wafer type.
2 parts body, full crossing stem.
PTFE sealing ring 3 mm thickness
with silicone elastic gasket
6 mm thickness.
Rilsan coated body color RAL 5024 ,
250-300 microns thickness.
Operating by gear box.

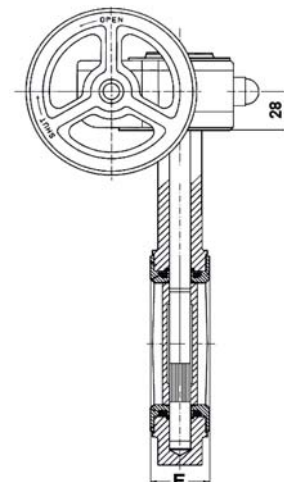
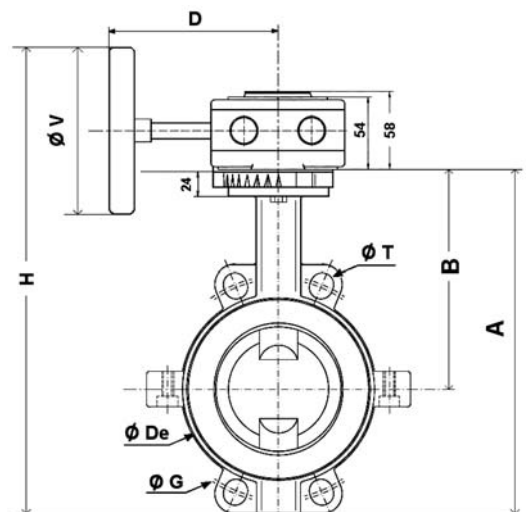
CONSTRUCTION

15	Gear box	
14	O ring	FKM
13	Plate screw	A4
12	Washer	Stainless steel 316
11	O ring	FKM
10	O ring	FKM
9	Socket	Stainless steel 316
8	Ring	Stainless steel 316
7	Circlips	Stainless steel 316
6	Plate	Aluminium
5	Insert manchette	Silicone
4	Stem (DN40-200)	Stainless steel 316
	Stem (DN250-300)	Stainless steel 31617-4-PH (360)
3	Sleeve	PTFE
2	Disc	Stainless steel 316 ASTM A351 CF8M PTFE lined
1	Body	Ductile iron EN-GJS-500-7
Pos.	Description	Material



DIMENSIONS

DN		A	B	ØDe	D	E	H	ØG	ØT	ØV	Weight (kg)
mm	inch										
32/40	1"1/2"	205	140	83	120	33	304	110	18	140	3.85
50	2"	228	156	102	120	43	326	125	18	140	5.35
65	2"1/2"	243	162	119	120	46	341	145	18	140	5.92
80	3"	266	170	135	120	46	364	160	18	140	6.53
100	4"	294	185	155	120	52	392	180	18	140	7.85
125	5"	324	207	185	136	56	452	210	18	200	11.25
150	6"	349	216	208	136	56	477	240	23	200	12.12
200	8"	438	256	270	136	60	566	295	23	200	18.55
250	10"	448	248	320	223	68	634	350	23	300	35.00
300	12"	515	280	373	223	78	701	400	23	300	46.00



WORKING CONDITIONS

Maximum working temperature : -25°C / 200°C
Maximum working pressure: 16 bar from DN32/40 to DN150
10 bar from DN200 to DN300

STANDARDS

Fabrication according to ISO 9001:2008.
Tests according to ISO 5208, A class.
Between flanges according to EN 1092-1 PN16 from DN32/40 to DN150
and PN10 from DN200 to DN300; suitable for flanges ANSI 150 PN20
from DN40 to DN300. Face to face according to ISO 5752 short series 20,
EN 558 series 20 (NF 29305), BS 5155 Wafer short/medium, DIN 3202 part 3,
series K1.

TECOFI France - 83, Rue Marcel Mérieux 69960 Corbas - FRANCE
Tél. +33 (0) 4 72 79 05 79 - Fax +33 (0) 4 78 90 19 19 / +33 (0) 4 72 79 05 70
Adresses e-mail : sales@tecofi.fr ; tecofi@tecofi.fr / Site web : www.tecofi.fr