

Ref. : VP 4449APSFC-08EP

Rev. : Initial

Date : 19/11/2013

Page : 1/1

# WAFER BUTTERFLY VALVE "FIRE NETWORK SPRINKLER"

VP 4449APSFC-08EP



**Tecofi**  
VALVE DESIGNER - FRANCE

## APPLICATION

General use : sprinkler systems, test piping valves on anti-frost device.

## GENERAL CHARACTERISTICS

From DN50 to DN100.  
Long neck for isolation, wafer type valve.  
Gear box with position indicator and limit switches contacts.  
Aluminium gear box with locking device.  
Valve indicator ( indicate valve position : opened or closed )  
Between flanges ISO PN10/16 and ISO PN20 ANSI150  
Full crossing stem.

## CONSTRUCTION

6	1	Gear box	Aluminium
5	2	Nut	5.6
4	1	Sleeve	EPDM
3	1	Stem	Stainless steel 420
2	1	Disc	Stainless steel ASTM A351 CF8M
1	1	Body	Ductile iron EN-GJS-500-7
<b>Pos.</b>	<b>Q-ty</b>	<b>Description</b>	<b>Material</b>

## DIMENSIONS

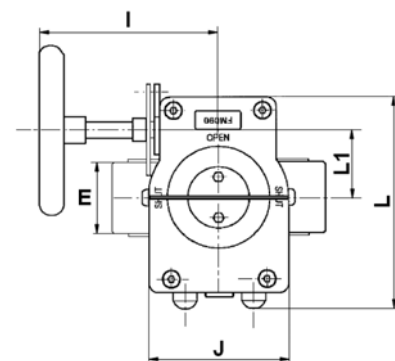
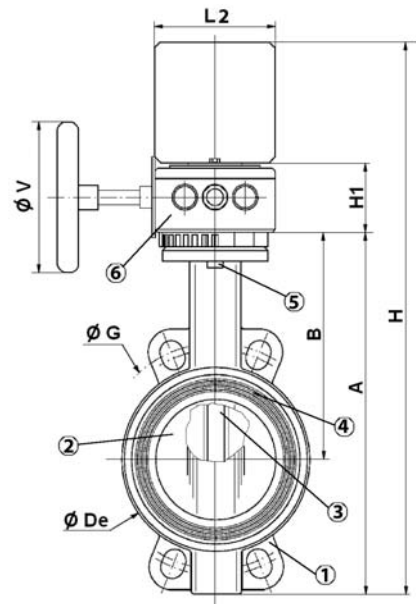
DN		A	B	H	H1	ØV	I	J	L	L1	L2	ØDe	ØG	Weight (kg)
mm	inch													
50	2"	228	156	385.5	57.5	100	132	102	156	50	100	102	125	5.6
65	2 1/2"	248	161	405.5	57.5	100	132	102	156	50	100	119	145	6.25
80	3"	265	169	422.5	57.5	125	131	102	156	50	100	135	160	6.75
100	4"	298	187	455.5	57.5	125	131	102	156	50	100	155	180	8

## CONDITIONS DE SERVICE

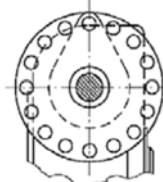
Maximum working temperature : -10°C / 110°C  
Maximum working pressure: 16 bar

## STANDARDS

Fabrication according to ISO 9001:2008  
Designing according to NF EN 593 v 2004  
Marking according to NFE 29-130  
Tests according to ISO 5208, A class  
Between flanges PN10/16 according to EN 1092-1 ,EN 1092-2  
and ANSI B16.5 ISO 5211 mounting pad  
Length according to ISO 5752 short series 20, EN 558 series 20 ( NF 29305 ), BS 5155 Wafer short/medium, DIN 3202 part 3, series K1.



## Locking device :



**TECOFI France** - 83, Rue Marcel Mérieux 69960 Corbas - FRANCE  
Tél. +33 (0) 4 72 79 05 79 - Fax +33 (0) 4 78 90 19 19 / +33 (0) 4 72 79 05 70  
Adresses e-mail : sales@tecofi.fr ; tecofi@tecofi.fr / Site web : www.tecofi.fr