

BUTTERFLY VALVE TECFLON WITH HANDLE

TECHNICAL PASSPORT

BUTTERFLY VALVE TECFLON- DUCTILE IRON BODY WITH HANDLE - BETWEEN FLANGES PN10/16

VP4449A-02PTFE

APPLICATION

TECFLON butterfly valves are intended for ON/OFF or control use in fluid transfer circuits.

- **Area of use:** ingeneering, chemical and petrochemical industry, sewage treatment plants.

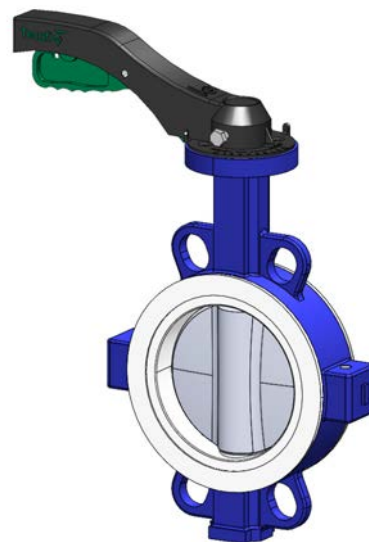


- **Fluids:** waste water, liquid waste, corrosive products, hydrocarbons, etc.
«Not suitable for steam application»

GENERAL CHARACTERISTICS

Range: from DN40 to DN100.

- Type with smooth ears
- Sealing in both directions of circulation of the piping.
- Stainless steel disc.
- PTFE sleeve with viton backup pad.
- Extended neck compatible with pipe lapping
- Reduced maneuvering torque.
- Reduced head losses.
- Notched sector providing 10 positions of adjustment of the handle.
- ISO 5211 mounting plate.



STANDARDS

Design	Manufacture according to the requirements of the European directive 2014/68/UE «Equipment under pressure»: modulate H.
Face to face	Face to face dimension as per API 609 & ISO 5752 series 20..
Connection	Mounting between flanges ISO PN10/16 according to EN1092-2, BS450, AISI B16.1-5. Adjustable between flanges ASME B16.5 Class 150.
Tests	Pressure test according to standards EN12266-1, DIN 3230 and ISO 5208: -Body: 24 bar -Seat: 17.6 bar

PRODUCT APPROVALS



Tecofi France

83 rue Marcel Mérieux - 69960 Corbas
Tél. +33 (0)4 72 79 05 79 - Fax. +33 (0)4 78 90 19 19
E-mail : sales@tecofi.fr - www.tecofi.fr

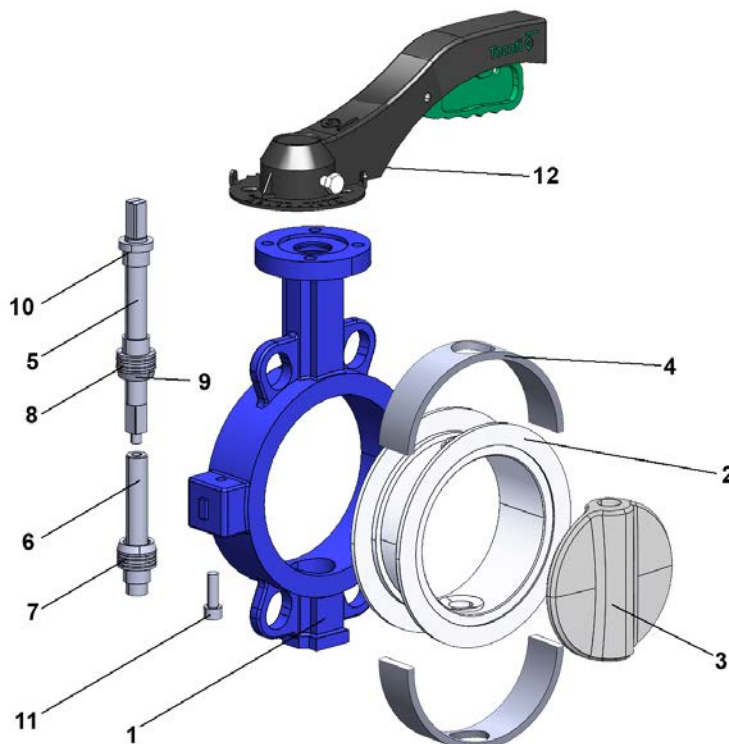


BUTTERFLY VALVE TECFLON WITH HANDLE

TECHNICAL PASSPORT

VP4449A-02PTFE

CONSTRUCTION



Oven backed epoxy coated body RAL 5015 thickness 250μ

Pos.	Description	Material	Equivalences		
			DIN	ASTM	BS
1	Body	Ductile iron EN-GJS-500-7	GGG50	A536 65-70-50-05	1563 EN-JS1050
2	Sleeve	PTFE + FPM (Viton®)			
3	Disc	Stainless steel CF8M			
4	Seat energizer	Viton			
5	Up shaft	Stainless steel 410			
6	Down shaft	Stainless steel 410			
7	Bushing	PTFE			
8	Bushing	PTFE			
9	Support	Stainless steel			
10	Bushing	PTFE			
11	Screw	Stainless steel			
12	Handle	Ductile iron			

Tecofi France

83 rue Marcel Mérieux - 69960 Corbas
Tél. +33 (0)4 72 79 05 79 - Fax. +33 (0)4 78 90 19 19
E-mail : sales@tecofi.fr - www.tecofi.fr

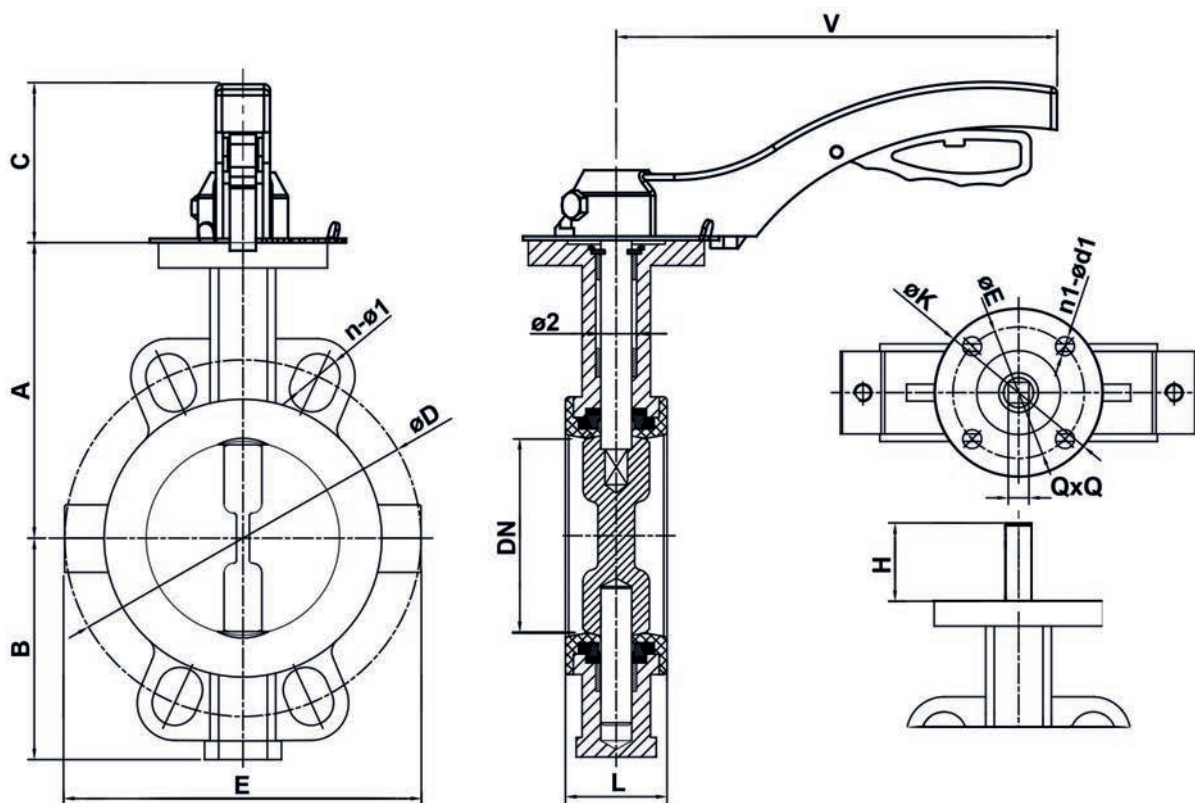


BUTTERFLY VALVE TECFLON WITH HANDLE

TECHNICAL PASSPORT

VP4449A-02PTFE

DIMENSIONS



DN		A	B	C	Ø2	V	E	L	H	ISO plate				ØD	n-Ø1	D	Q	Torque* Nm	Weight (kg)
mm	inch									ISO	ØK	ØE	n1-Ød1						
40	1 1/2	135	70	32	12.6	170	96	43	14	F05	65	50	4-Ø7	110	4-Ø19	170	9	14	3.1
50	2"	140	75	32	12.6	170	132	43	14	F05	65	50	4-Ø7	125	4-Ø19	170	9	15	3.23
65	2 1/2	150	82	32	12.6	170	146	46	14	F05	65	50	4-Ø7	145	4-Ø19	170	9	24	3.65
80	3"	160	90	32	12.6	170	164	46	14	F05	65	50	4-Ø7	160	8-Ø19	170	9	36	4.01
100	4"	178	118	32	15.77	215	196	52	14	F07	90	70	4-10	180	8-Ø19	215	11	60	5.5

* Value without safety factor, obtained under 16 bar of differential pressure

Tecofi France

83 rue Marcel Mérioux - 69960 Corbas
 Tél. +33 (0)4 72 79 05 79 - Fax. +33 (0)4 78 90 19 19
 E-mail : sales@tecofi.fr - www.tecofi.fr



BUTTERFLY VALVE TECFLON WITH HANDLE

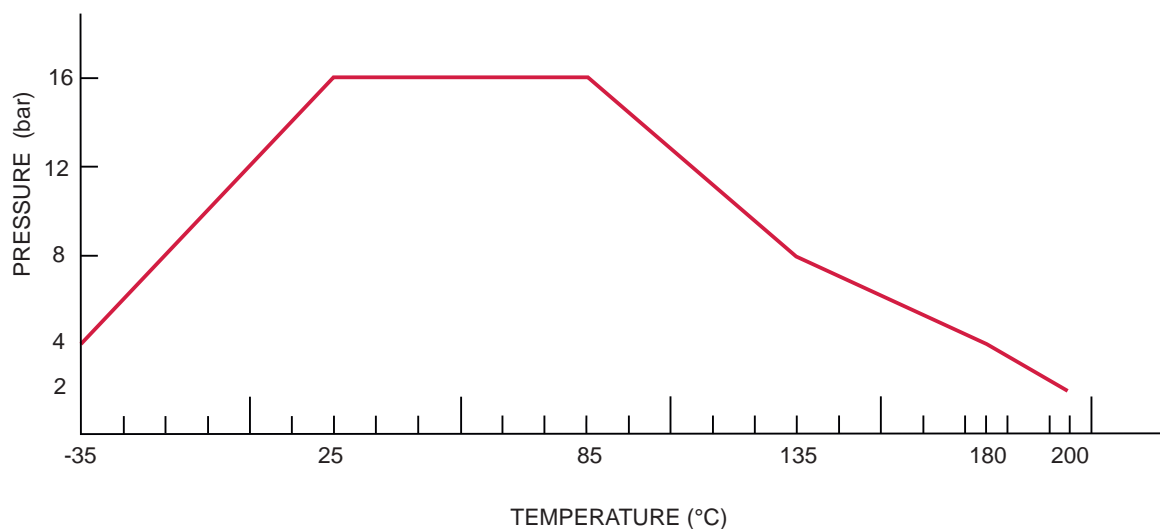
TECHNICAL PASSPORT

VP4449A-02PTFE

WORKING CONDITIONS

Maximum working pressure : 16 bar
Maximum working temperature : -20°C / +190°C

PTFE : PRESSURE TEMPERATURE GRAPHS



Flow factor - Kv (m³/h)

DN		Opening angle								
mm	inch	10°	20°	30°	40°	50°	60°	70°	80°	90°
40	1"1/2	0,03	3	5	10	20	28	40	52	59
50	2"	0,07	3	9	17	33	47	66	91	99
65	2"1/2	0,15	6	15	27	47	72	105	149	161
80	3"	0,2	9	16	28	52	85	134	202	222
100	4"	0,4	12	27	57	102	169	266	400	440

Tecofi France

83 rue Marcel Mérieux - 69960 Corbas
Tél. +33 (0)4 72 79 05 79 - Fax. +33 (0)4 78 90 19 19
E-mail : sales@tecofi.fr - www.tecofi.fr

