

BUTTERFLY VALVE TECFLON WITH HANDLE

TECHNICAL PASSPORT

BUTTERFLY VALVE TECFLON- DUCTILE IRON BODY WITH HANDLE - BETWEEN FLANGES PN10/16

VP4449-02PTFE

APPLICATION

TECFLON butterfly valves are intended for ON/OFF or control use in fluid transfer circuits.

- **Area of use:** ingeneering, chemical and petrochemical industry, sewage treatment plants.



- **Fluids:** waste water, liquid waste, corrosive products, hydrocarbons, etc.
«Not suitable for steam application»



GENERAL CHARACTERISTICS

Range: from DN40 to DN100.

- Type with smooth ears
- Sealing in both directions of circulation of the piping.
- Stainless steel disc.
- PTFE sleeve with viton backup pad.
- Extended neck compatible with pipe lapping
- Reduced maneuvering torque.
- Reduced head losses.
- Notched sector providing 10 positions of adjustment of the handle.
- ISO 5211 mounting plate.

STANDARDS

Design	Manufacture according to the requirements of the European directive 2014/68/UE «Equipment under pressure»: modulate H.
Face to face	Face to face dimension as per API 609 & ISO 5752 series 20..
Connection	Mounting between flanges ISO PN10/16 according to EN1092-2, BS450, AISI B16.1-5. Adjustable between flanges ASME B16.5 Class 150.
Tests	Pressure test according to standards EN12266-1, DIN 3230 and ISO 5208: -Body: 24 bar -Seat: 17.6 bar

PRODUCT APPROVALS



Tecofi France

83 rue Marcel Mérieux - 69960 Corbas
Tél. +33 (0)4 72 79 05 79 - Fax. +33 (0)4 78 90 19 19
E-mail : sales@tecofi.fr - www.tecofi.fr

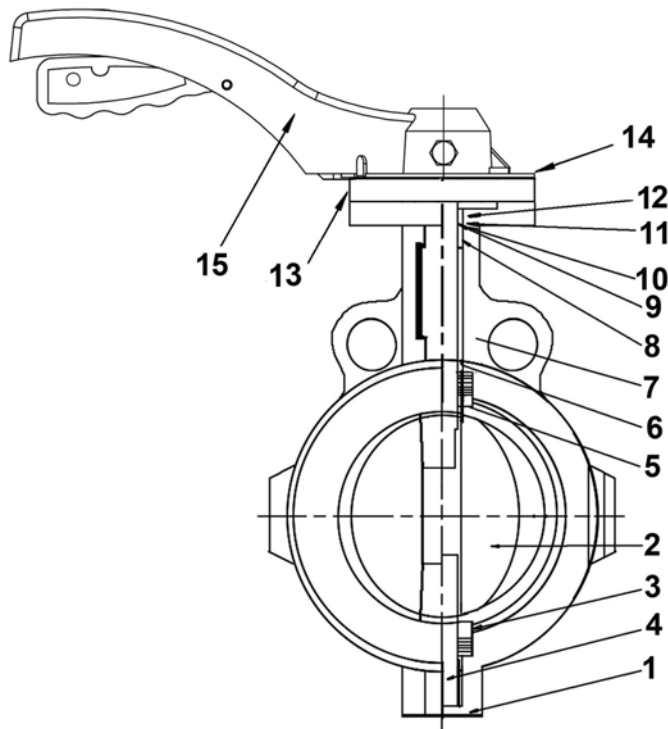


BUTTERFLY VALVE TECFLON WITH HANDLE

TECHNICAL PASSPORT

VP4449-02PTFE

CONSTRUCTION



Oven backed epoxy coated body RAL 5019 thickness 250μ

Pos.	Description	Material	Equivalences		
			DIN	ASTM	BS
1	Body	Ductile iron EN-GJS-500-7	GGG50	A536 65-70-50-05	1563 EN-JS1050
2	Disc	Stainless steel CF8M			
3	Sleeve	PTFE + FPM (Viton®)			
4	Stem	Stainless steel 316			
5	Joint	FRP (Fiber reinforced plastic)			
6	Bushing	FRP (Fiber reinforced plastic)			
7	Body	Ductile iron EN-GJS-500-7	GGG50	A536 65-70-50-05	1563 EN-JS1050
8	Bushing	FRP (Fiber reinforced plastic)			
9	Ring	Steel			
10	Stem circlip	Steel			
11	Ring	Steel			
12	Circlip	Steel			
13	Spacer	Plastic			
14	Notched sector	Steel			
15	Poignée	Fonte ductile			

Tecofi France

83 rue Marcel Mérioux - 69960 Corbas
 Tél. +33 (0)4 72 79 05 79 - Fax. +33 (0)4 78 90 19 19
 E-mail : sales@tecofi.fr - www.tecofi.fr

ISO 9001
 ISO 14001
 BUREAU VERITAS
 Certification

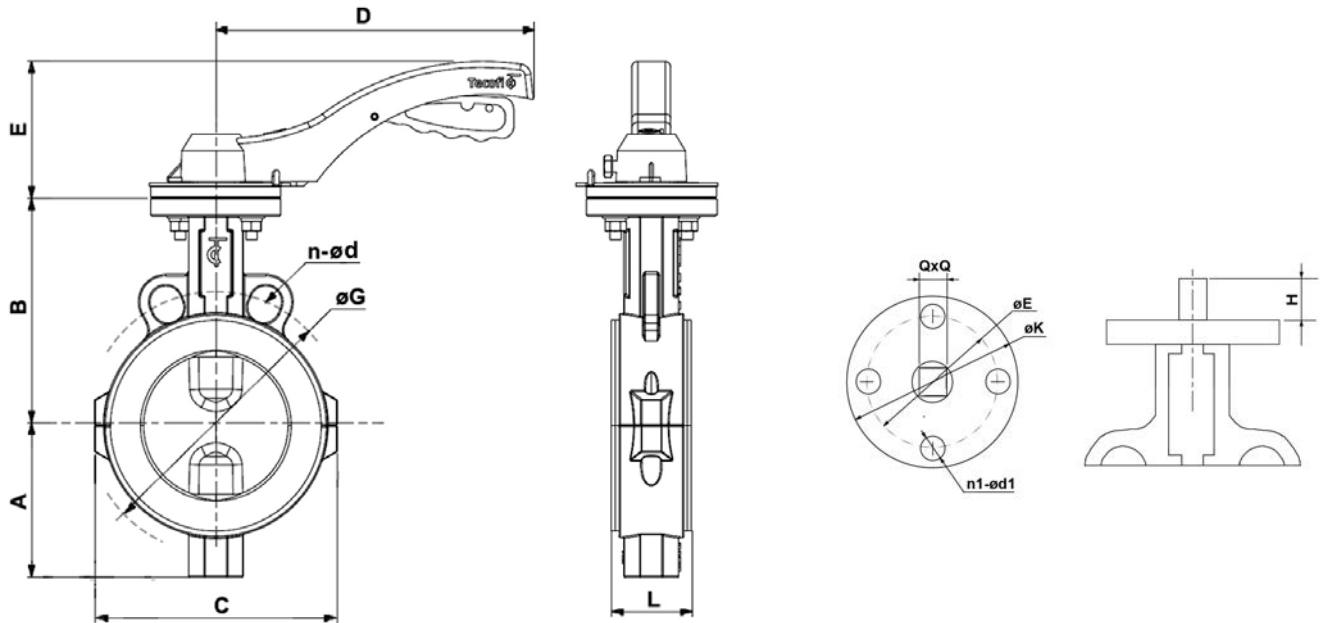


BUTTERFLY VALVE TECFLON WITH HANDLE

TECHNICAL PASSPORT

VP4449-02PTFE

DIMENSIONS



DN		A	B	C	L	H	Embase				ØG	n-ød	D	Q	Torque Nm	Weight (kg)
mm	inch						ISO	K	E	n1-ød1						
40	1"1/2	62	130	102	47	32	F05	65	87	4-Ø7	110	4-Ø19	170	9	25	2.9
50	2"	62	136	112	47	32	F05	65	87	4-Ø7	125	4-Ø19	170	9	25	2.9
65	2"1/2	72	138	126	50	32	F05	65	87	4-Ø7	145	4-Ø19	170	9	30	3.36
80	3"	78	140	142	50	32	F05	65	87	4-Ø7	160	8-Ø19	170	9	45	3.81
100	4"	105	158	168	55.5	32	F07	90	106	4-Ø10	180	8-Ø19	215	11	65	5.3

Tecofi France

83 rue Marcel Mérieux - 69960 Corbas
 Tél. +33 (0)4 72 79 05 79 - Fax. +33 (0)4 78 90 19 19
 E-mail : sales@tecofi.fr - www.tecofi.fr

ISO 9001
 ISO 14001
 BUREAU VERITAS
 Certification

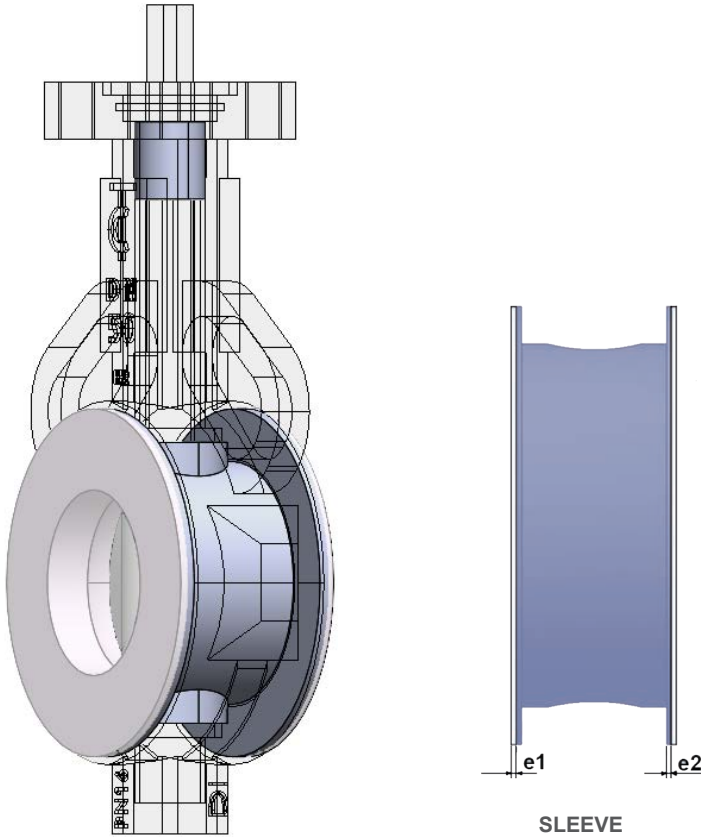


BUTTERFLY VALVE TECFLON WITH HANDLE

TECHNICAL PASSPORT

VP4449-02PTFE

DIMENSIONS



SLEEVE

DN		PTFE thickness e1	Viton thickness e2	Maximum possible vacuum (kPa)	KVs (m ³ /h)
mm	inch				
40	1"1/2	2	2	50	-
50	2"	2	2	50	111.2
65	2"1/2	2	2	50	179.6
80	3"	2	2	50	256.5
100	4"	2.3	2.2	50	513

WORKING CONDITIONS

Maximum working pressure : 16 bar
Maximum working temperature : -20°C / +190°C

Tecofi France

83 rue Marcel Mérieux - 69960 Corbas
Tél. +33 (0)4 72 79 05 79 - Fax. +33 (0)4 78 90 19 19
E-mail : sales@tecofi.fr - www.tecofi.fr

