

WAFER BUTTERFLY VALVE "FIRE NETWORK SPRINKLER"

VP 4448APSFC-08EP



APPLICATION

General use : sprinkler systems, test piping valves on anti-frost device.

GENERAL CHARACTERISTICS

From DN125 to DN300.
Long neck for isolation, wafer type valve.
Gear box with position indicator and limit switches contact.
Aluminium gear box with locking device (by steel chain for DN250 and 300)
Valve indicator (indicate valve position : opened or closed)
Between flanges ISO PN10/16 and ISO PN20 ANSI150
Full crossing stem.

CONSTRUCTION

6	1	Gear box	Aluminium
5	2	Nut	5.6
4	1	Sleeve	EPDM
3	1	Stem	Stainless steel 420
2	1	Disc	Ductile iron EN-GJS-500-7 epoxy coated
1	1	Body	Ductile iron EN-GJS-500-7
Pos.	Q-ty	Description	Material

DIMENSIONS

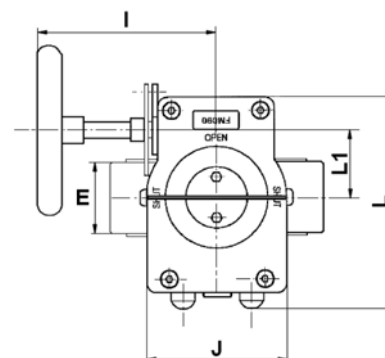
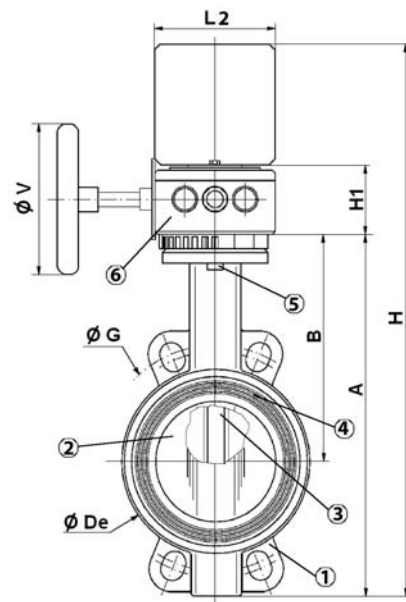
DN		A	B	H	H1	ØV	I	J	L	L1	L2	ØDe	ØG	Weight (kg)
mm	inch													
125	5"	326	206	483.5	57.5	125	131	102	156	50	100	185	210	9.5
150	6"	349	215	506.5	57.5	125	131	102	156	50	100	208	240	10.5
200	8"	430	255	587.5	57.5	200	143	102	156	50	100	270	295	15.65
250	10"	461	248	633.5	72.5	250	210	146	177.5	60	100	328	350	25.8
300	12"	523	280	696.5	72.5	250	210	146	177.5	60	100	381	400	34.3

CONDITIONS DE SERVICE

Maximum working temperature : -10°C / 110°C
Maximum working pressure: 16 bar

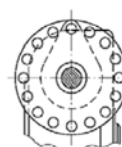
STANDARDS

Fabrication according to ISO 9001:2008
Designing according to NF EN 593 v 2004
Marking according to NFE 29-130
Tests according to ISO 5208, A class
Between flanges PN10/16 according to EN 1092-1 ,EN 1092-2 and ANSI B16.5 ISO 5211 mounting pad
Length according to ISO 5752 short series 20, EN 558 series 20 (NF 29305), BS 5155 Wafer short/medium, DIN 3202 part 3, series K1.



Locking device :

DN125 – 200



DN 250 - 300

