

DOUBLE EXCENTRIC BUTTERFLY VALVE TYPE TECWAT

TECHNICAL PASSPORT

PN40 FLANGED DOUBLE EXCENTRIC BUTTERFLY VALVE WITH ELECTRIC ACTUATOR AUMA

VP 4261-U04

APPLICATION

Tecwat type butterfly valves are intended to be used for ON/OFF operations in fluid transfer circuits.

- Area of use: water networks, production plants, pumping stations, fire circuits on industrial site, etc.



- Fluids : water, drinking water.



GENERAL CHARACTERISTICS

TECWAT model: long pattern.

Range : from DN200 to DN2000.

Design according to standard NF EN 593.

Bi-directional sealing with a preferred mounting direction indicated by the arrow on the body. The backlash-free shaft is connected to the disc.

Double eccentric disc allowing the pressure to drop considerably from the first degrees of opening. Built-in sealing seat and held in place by the stainless steel retaining ring.

Reduced operating torque. Low pressure drop. With electric actuator AUMA

STANDARDS

Design	Complies with standard EN 593.
Face to face	According to standard NF EN 558 serie 14.
Connection	Flange connection ISO PN40 according to standard EN1092-2.
Tests	Hydraulic tests carried out according to the standard EN12266-1: -Body : 60 bar -Seat : 44 bar

PRODUCT APPROVALS



WRAS certificate n° 1607394



n° 19 ACC LY 582

EN 1074



Tecofi France

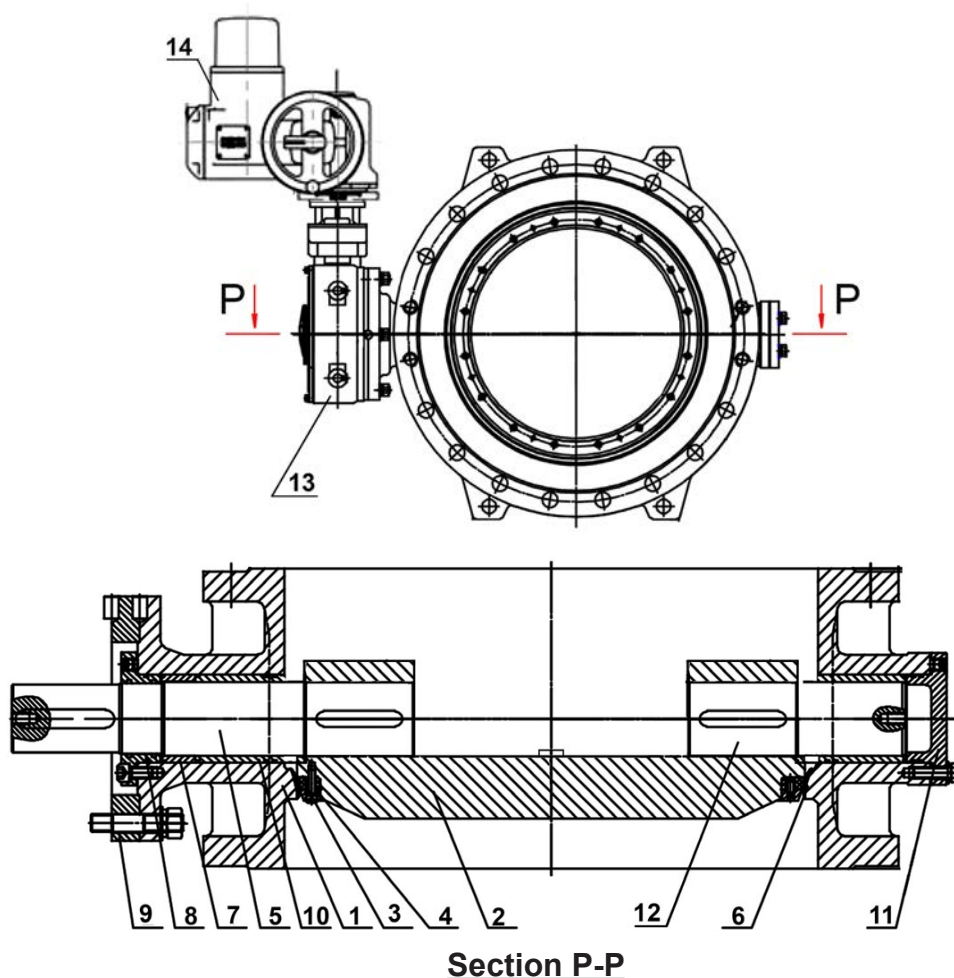
83 rue Marcel Mérieux - 69960 Corbas

Tél. +33 (0)4 72 79 05 79 - Fax. +33 (0)4 78 90 19 19

E-mail : sales@tecofi.fr - www.tecofi.fr

DOUBLE EXCENTRIC BUTTERFLY VALVE TYPE TECWAT

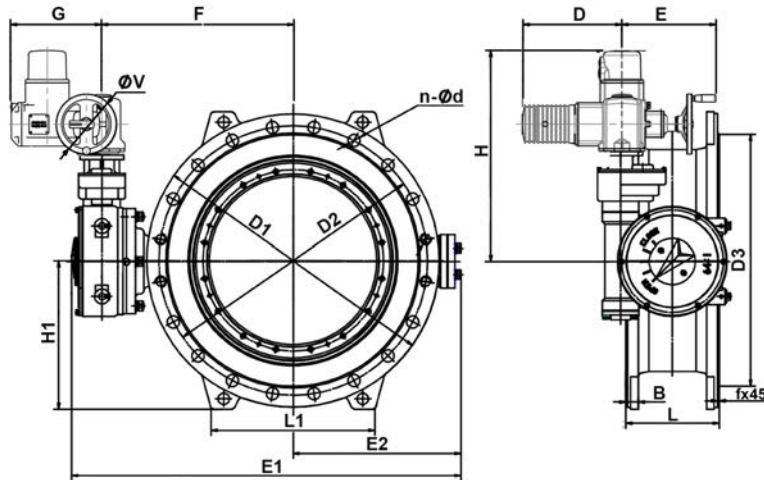
CONSTRUCTION



Pos.	Description	Material	Equivalences		
			DIN	ASTM	BS
1	Body	Ductile iron ENGJS-500-7	GGG 50	ASTM 80-55-06	BS 500/7
2	Disc	Ductile iron ENGJS-500-7	GGG 50	ASTM 80-55-06	BS 500/7
3	Sealing gasket	EPDM			
4	Retaining ring	Stainless steel X5CrNi 18 10	X5CrNi 18 10	A 182 AISI 304	1449-2 304 S15
5	Shaft bush	Stainless steel 420	1.4021	AISI 420	420 S 37
6	Body seal ring	Stainless steel X5CrNi 18 10	X5CrNi 18 10	A 182 AISI 304	1449-2 304 S15
7	Bearing	Al-Bronze	G-CuAl10Fe	C95200	ZCuAl10Fe3
8	Packing gland	Ductile iron	GGG 50	ASTM 80-55-06	BS 500/7
9	Mounting flange	Steel Q235B	EN 10025-2	ASTM A36	S235JR
10	Adjusting bushing	Al-Bronze	G-CuAl10Fe	C95200	ZCuAl10Fe3
11	Cover	Ductile iron ENGJS-500-7	GGG 50	ASTM 80-55-06	BS 500/7
12	Lower shaft	Stainless steel 420	1.4021	AISI 420	420 S 37
13	Gear box	Ductile iron			
14	Electric actuator	AUMA			

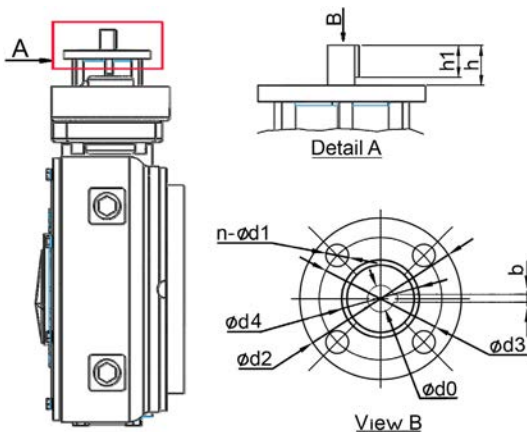
DOUBLE EXCENTRIC BUTTERFLY VALVE TYPE TECWAT

DIMENSIONS



DN		ØD1	ØD2	ØD3	B	f	L	n-Ød	H	H1	D	E	E1	E2	F	G	L1	Actuator reference	ØV	Weight (kg)
mm	inch																			
200	8"	375	320	284	30	3	230	12-Ø31	425	192.5	576	254	603	229	309	238	180	SA10.2	200	133
250	10"	450	385	345	35	3	250	8-Ø34 / 4-M30	468	230	576	254	712	260	369	248	200	SA10.2	200	201
300	12"	515	450	409	40	4	270	12-Ø34 / 4-M30	468	262.5	565	249	795	305	408	248	240	SA7.6	160	285
350	14"	580	510	465	44	4	290	12-Ø37 / 4-M33	482	295	576	254	904	360	455	248	320	SA10.2	200	378
400	16"	660	585	535	48	4	310	12-Ø41 / 4-M36	480	335	576	254	1001	407	505	248	320	SA10.2	200	448
450	18"	685	610	560	49	4	330	16-Ø41 / 4-M36	607	347.5	576	254	1067	429	533	248	360	SA10.2	200	580
500	20"	755	670	610	52	4	350	16-Ø44 / 4-M39	605	382.5	576	254	1180	477	598	248	450	SA10.2	200	820
600	24"	890	795	735	58	5	390	16-Ø50 / 4-M45	605	450	576	254	1363	555	683	248	500	SA10.2	200	1112
700	28"	995	900	840	64	5	430	20-Ø48 / 4-M45	662	505	576	254	1625	666	795	286	560	SA10.2	200	1693
800	32"	1140	1030	960	72	5	470	20-Ø56 / 4-M52	636	575	576	254	1696	664	868	248	630	SA10.2	200	2113
900	36"	1250	1140	1070	76	5	510	24-Ø56 / 4-M52	680	635	576	254	1904	785	955	248	690	SA10.2	200	3063
1000	40"	1360	1250	1180	80	5	550	24-Ø56 / 4-M52	741	690	576	254	2039	837	989	248	740	SA10.2	200	3748
1200	48"	1575	1460	1380	88	5	630	24-Ø62 / 8-M56	797	792.5	622	336	2595	1077	1279	286	800	SA14.2	315	3950

ISO 5210 UPPER FLANGE DIMENSIONS



DN		ISO 5210							Number of turns	Torque* (Nm)	
mm	inch	ISO 5210	Ød0	n-Ød1	Ød2	Ød3	Ød4	h			
200	8"	F10	20	4-Ø10	125	102	70	28	6X20	12	72
250	10"	F10	20	4-Ø10	125	102	70	30	6X25	20	73
300	12"	F10	20	4-Ø10	125	102	70	30	6X20	80	34
350	14"	F10	20	4-Ø10	125	102	70	30	6X25	64	60
400	16"	F10	20	4-Ø10	125	102	70	30	6X25	64	79
450	18"	F10	20	4-Ø10	125	102	70	30	6X25	96	83
500	20"	F10	20	4-Ø10	125	102	70	30	6X25	96	75
600	24"	F10	20	4-Ø10	125	102	70	30	6X25	198.9	56
700	28"	F10	20	4-Ø10	125	102	70	30	6X25	421.4	54
800	32"	F10	20	4-Ø10	125	102	70	30	6X25	421.4	55
900	36"	F10	20	4-Ø10	125	102	70	30	6X25	421.4	75
1000	40"	F10	20	4-Ø10	125	102	70	30	6X25	641.25	63
1200	48"	F14	30	4-Ø10	175	140	100	30	6X45	559	163
1600	60"	F10	20	4-Ø10	125	102	70	30	6X25	421.4	107

* Values without safety factor

Tecofi France

83 rue Marcel Mérieux - 69960 Corbas
Tél. +33 (0)4 72 79 05 79 - Fax. +33 (0)4 78 90 19 19
E-mail : sales@tecofi.fr - www.tecofi.fr

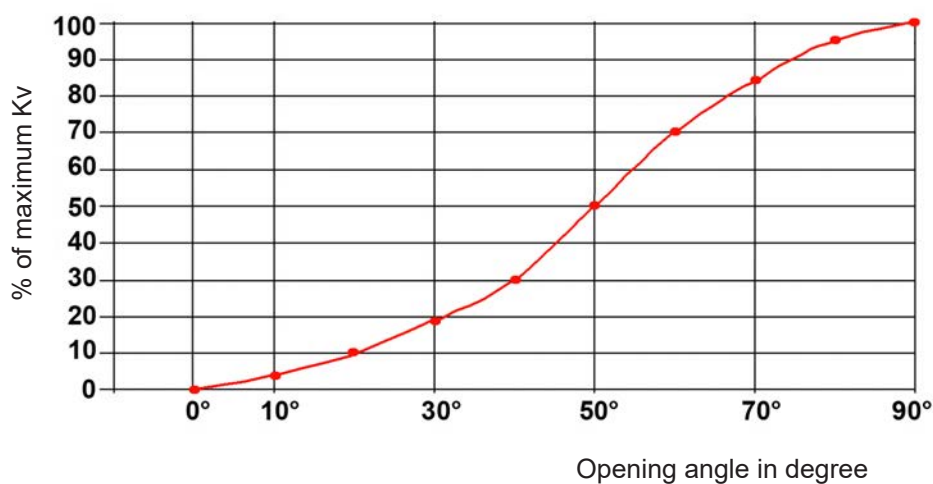


DOUBLE EXCENTRIC BUTTERFLY VALVE TYPE TECWAT

WORKING CONDITIONS

Maximum working pressure : 40 bar.
Maximum working temperature : + 80 °C.

FLOW FACTOR - Kv



DN	mm	100	125	150	200	250	300	350	400	450	500	600	700	800	900	1000	1100	1200	1400	1600
	inch	4"	5"	6"	8"	10"	12"	14"	16"	18"	20"	24"	28"	32"	36"	40"	44"	48"	56"	64"
Kvs		926	1500	2170	1880	3800	4950	8000	10900	14200	18250	28000	40500	55100	74000	93338	116213	142516	167310	264433

The photographs and technical art works are not contractual. The specifications of the presented products are open to modifications without previous advice

Tecofi France

83 rue Marcel Mérieux - 69960 Corbas
Tél. +33 (0)4 72 79 05 79 - Fax. +33 (0)4 78 90 19 19
E-mail : sales@tecofi.fr - www.tecofi.fr

