

# DOUBLE EXCENTRIC TYPE BUTTERFLY VALVE WITH ELECTRIC ACTUATOR BERNARD

Ref. : VP 4261-B04.pas

Rev. : Initial

Date : 03/05/2018

Page : 1/1

## VP 4261-B04



**Tecofi**  
VALVE DESIGNER - FRANCE

### APPLICATION

General use : potable water.

### GENERAL CHARACTERISTICS

TECWAT type : long pattern.

Design in according to EN 593.

Range : from DN 200 to DN 1200.

Assembling with preferential sense

Bi-directional.

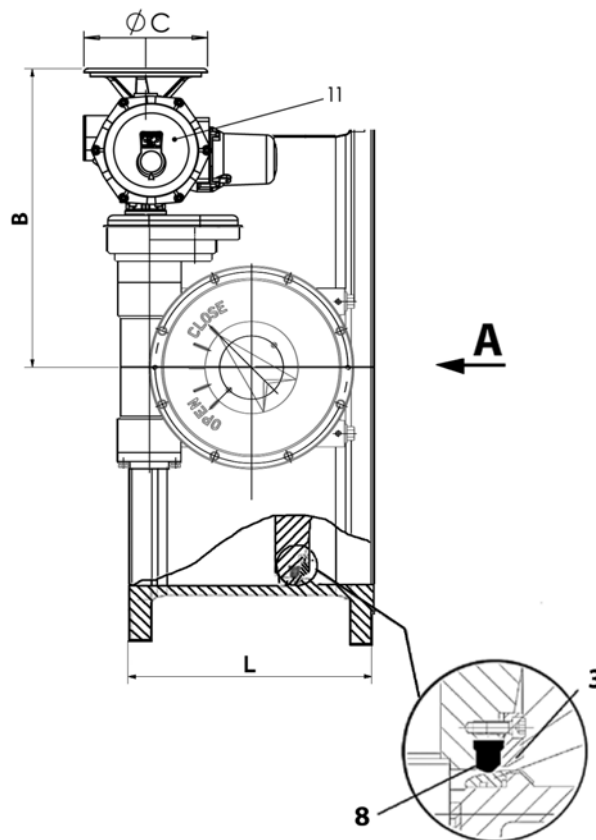
Double excentric type.

Replaceable seat, no wrenkling possibility.

Food epoxy painting.

### CONSTRUCTION

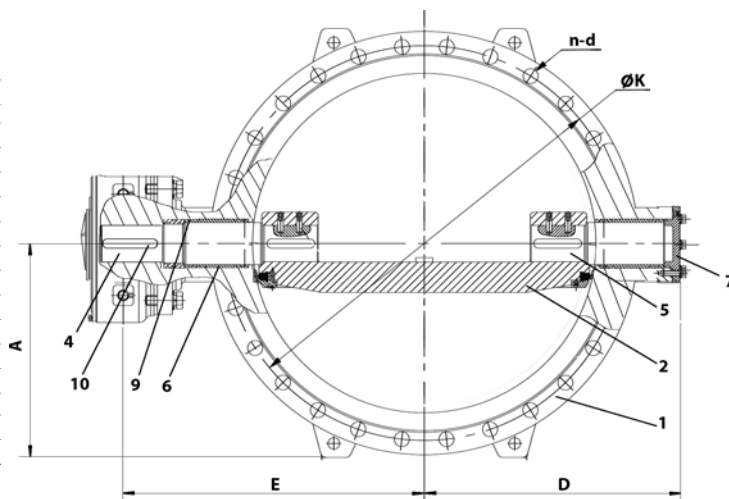
Rep.	Nb.	Designation	Material	
11	1	Electric actuator		BERNARD
10	2	Key	Stainless steel X20Cr13	DIN: 1.4021 ASTM: AISI 420 BS: 420 S 37
9	2	O-ring	EPDM	
8	1	Sealing ring	EPDM	
7	1	Cover free end	Ductile iron EN-GJS-500-7	DIN: GGG 50 ASTM: A536 70-50-05 BS: 1563 EN-JS1050
6	2	Bearing bush	Al-Bronze	
5	1	Shaft free end	Stainless steel X20Cr13	DIN: 1.4021 ASTM: AISI 420 BS: 420 S 37
4	1	Shaft driven end	Stainless steel X20Cr13	DIN: 1.4021 ASTM: AISI 420 BS: 420 S 37
3	1	Retaining ring	Steel	
2	1	Disc	Ductile iron EN-GJS-500-7	DIN: GGG 50 ASTM: A536 70-50-05 BS: 1563 EN-JS1050
1	1	Body	Ductile iron EN-GJS-500-7	DIN: GGG 50 ASTM: A536 70-50-05 BS: 1563 EN-JS1050



VIEW A

### DIMENSIONS

DN	L	A	B	ØC	D	ØK	E	n-d	Actuator type	Poids (kg)
200 8"	230	192.5	490	200	229	320	374	12-Ø31	ASM10	131
250 10"	250	230	490	200	261	385	451	8-Ø34 / 4-M30	ASM10	164
300 12"	270	262.5	504	300	305	450	490	12-Ø34 / 4-M30	ASM6	237
350 14"	290	295	629	200	360	510	544	12-Ø37 / 4-M33	ASM10	256
400 16"	310	335	627	300	407	585	594	12-Ø41 / 4-M36	ASM16	399
450 18"	330	347.5	627	300	429	610	638	16-Ø41 / 4-M36	ASM16	470
500 20"	350	382.5	658	200	477	670	703	16-Ø44 / 4-M39	ASM10	613
600 24"	390	450	658	200	555	795	808	16-Ø50 / 4-M45	ASM10	769
700 28"	430	505	702	300	666	900	959	20-Ø48 / 4-M45	ST14	1182
800 32"	470	575	702	300	664	1030	1032	20-Ø56 / 4-M52	ST14	1454
900 36"	510	635	763	300	785	1140	1119	24-Ø56 / 4-M52	ST14	2182
1000 40"	550	690	819	300	837	1250	1202	24-Ø56 / 4-M52	ST14	2660
1100 44"	590	735	870	300	897	1350	1387	24-Ø56 / 8-M52	ST14	4100
1200 48"	630	792.5	911	450	1077	1460	1518	24-Ø62 / 8-M56	ST30	5645



### WORKING CONDITIONS

Maximum working pressure : 40 bar.

Maximum temperature : + 80 °C.

### STANDARDS

Design according to EN 593.

Test procedures are established according to standards EN 12266-1 and API 598.

Face to face according to standard EN 558-1 serie 14.

Connections according to standard EN 1092-2 ISO PN40.

Optional certificat of health conformity (ACS) by request.

TECOFI France - 83, Rue Marcel Mérieux 69960 Corbas - FRANCE  
Tél. +33 (0) 4 72 79 05 79 - Fax +33 (0) 4 78 90 19 19 / +33 (0) 4 72 79 05 70  
Adresses e-mail : sales@tecofi.fr ; tecofi@tecofi.fr / Site web : www.tecofi.fr