

# DOUBLE EXCENTRIC BUTTERFLY VALVE TYPE TECWAT

TECHNICAL PASSPORT

**PN25 FLANGED DOUBLE EXCENTRIC  
BUTTERFLY VALVE WITH ELECTRIC  
ACTUATOR AUMA**

VP 4251-U04

## APPLICATION

Tecwat type butterfly valves are intended to be used for ON/OFF operations in fluid transfer circuits.

**Area of use:** water networks, production plants, pumping stations, fire circuits on industrial site, etc.



**Fluids:** water, drinking water.



**ACS**

## GENERAL CHARACTERISTICS

**TECWAT model:** long pattern.

-Design according to NF EN 593.

**Range:** from DN100 to DN1600.

-Bi-directional sealing with a preferred mounting direction indicated by the arrow on the body.

-Double eccentric butterfly valve prevents wear due to the stainless steel seat attached to the body.

-Seal on disc retained by a stainless steel retaining ring.

-Optimized maneuvering torque.

-Low pressure drop.

-Operating by IP65 gear box with electric actuator AUMA

<b>Design</b>	Complies with standard EN 593.
<b>Face to face</b>	According to standard NF EN 558 serie 14.
<b>Connection</b>	Flange connection ISO PN25 according to standard EN1092-2.
<b>Tests</b>	Hydraulic tests carried out according to the standard EN12266-1: -Body : 37.5 bar -Seat : 27.5 bar

## PRODUCT APPROVALS



WRAS certificate n° 1607394



n° 19 ACC LY 582

**EN 1074**

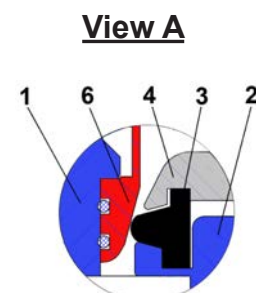
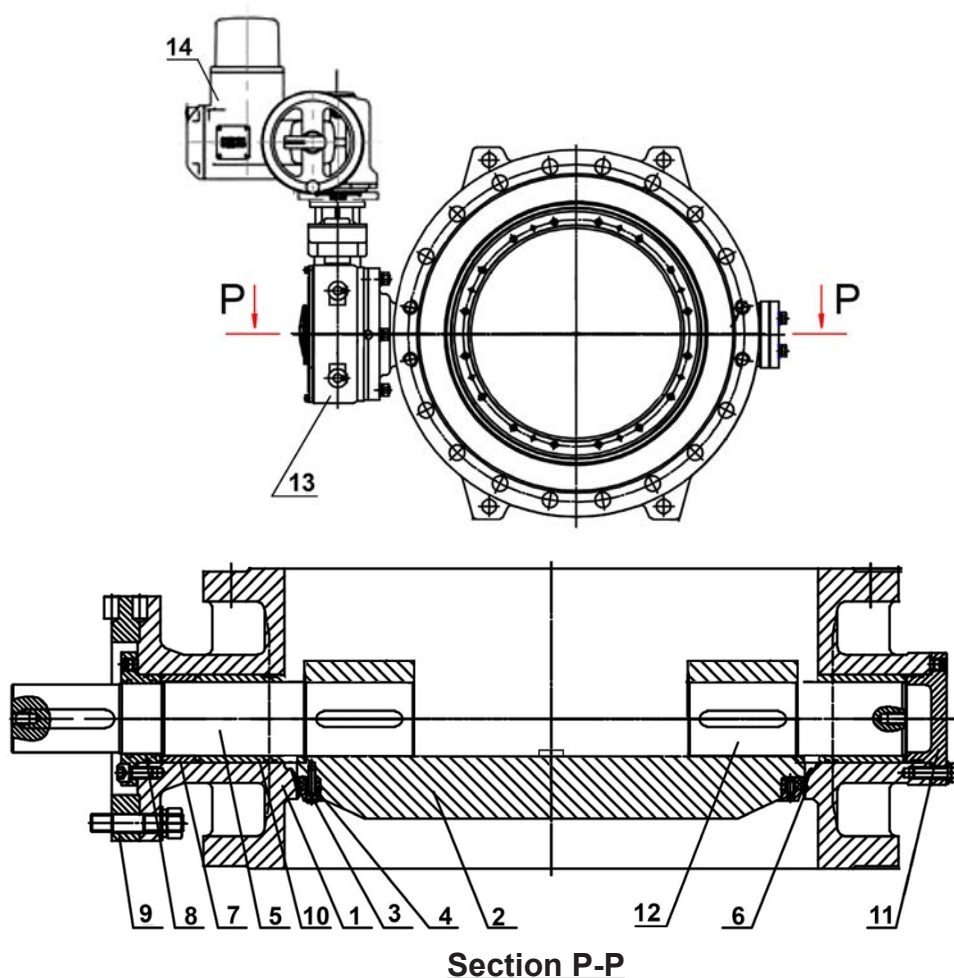


**Tecofi France**

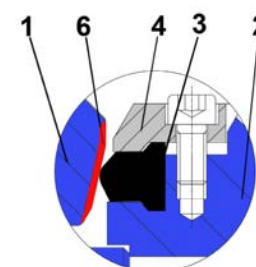
83 rue Marcel Mérieux - 69960 Corbas  
Tél. +33 (0)4 72 79 05 79 - Fax. +33 (0)4 78 90 19 19  
E-mail : sales@tecofi.fr - [www.tecofi.fr](http://www.tecofi.fr)

# DOUBLE EXCENTRIC BUTTERFLY VALVE TYPE TECWAT

## CONSTRUCTION



**DN100-150**



**DN200-1600**

Pos.	Description	Material	Equivalences		
			DIN	ASTM	BS
1	Body	Ductile iron ENGJS-500-7	GGG 50	ASTM 80-55-06	BS 500/7
2	Disc	Ductile iron ENGJS-500-7	GGG 50	ASTM 80-55-06	BS 500/7
3	Sealing gasket	EPDM			
4	Retaining ring	Stainless steel X5CrNi 18 10	X5CrNi 18 10	A 182 AISI 304	1449-2 304 S15
5	Shaft bush	Stainless steel 420	1.4021	AISI 420	420 S 37
6	Body seal ring	Stainless steel X5CrNi 18 10	X5CrNi 18 10	A 182 AISI 304	1449-2 304 S15
7	Bearing	Al-Bronze	G-CuAl10Fe	C95200	ZCuAl10Fe3
8	Packing gland	Ductile iron	GGG 50	ASTM 80-55-06	BS 500/7
9	Mounting flange	Steel Q235B	EN 10025-2	ASTM A36	S235JR
10	Adjusting bushing	Al-Bronze	G-CuAl10Fe	C95200	ZCuAl10Fe3
11	Cover	Ductile iron ENGJS-500-7	GGG 50	ASTM 80-55-06	BS 500/7
12	Lower shaft	Stainless steel 420	1.4021	AISI 420	420 S 37
13	Gear box	Ductile iron			
14	Electric actuator	AUMA			

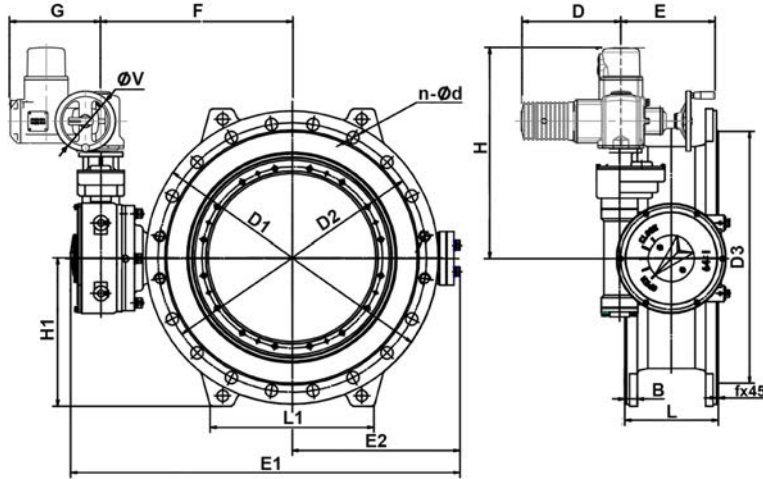
**Tecofi France**

83 rue Marcel Mérieux - 69960 Corbas  
Tél. +33 (0)4 72 79 05 79 - Fax. +33 (0)4 78 90 19 19  
E-mail : sales@tecofi.fr - [www.tecofi.fr](http://www.tecofi.fr)



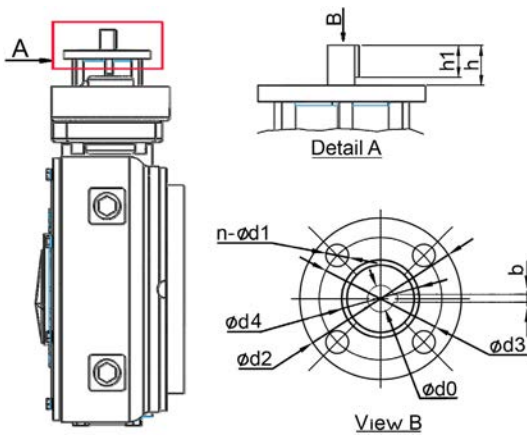
# DOUBLE EXCENTRIC BUTTERFLY VALVE TYPE TECWAT

## DIMENSIONS



DN		ØD1	ØD2	ØD3	B	f	L	n-Ød	H	H1	D	E	E1	E2	F	G	L1	Actuator reference	ØV	Weight (kg)
mm	inch																			
100	4"	235	190	156	19	3	190	8-Ø23	-	117	265	249	284	133	194	238	150	SA7.2	160	53
150	6"	300	250	211	20	3	210	8-Ø28	-	147.5	265	249	315	164	225	238	180	SA7.6	160	73
200	8"	360	310	274	22	3	230	12-Ø31	425	175	265	249	526	198	272	238	196	SA7.6	160	97
250	10"	425	370	330	25	3	250	12-Ø31	468	202.7	283	254	568	219	293	248	240	SA10.2	160	129
300	12"	485	430	389	28	4	270	12-Ø31	468	227.5	283	254	670	254	351	248	275	SA10.2	200	205
350	14"	555	490	448	30	4	290	16-Ø34	482	257.5	265	249	720	279	225	238	280	SA7.6	160	225
400	16"	620	550	503	32	4	310	16-Ø37	480	287.5	283	254	834	320	351	248	310	SA10.2	200	319
450	18"	670	600	548	34.5	4	330	20-Ø37	607	312.5	283	254	903	359	462	248	340	SA10.2	200	386
500	20"	730	660	609	37	4	350	20-Ø37	605	340	283	254	988	393	513	248	370	SA10.2	200	441
600	24"	845	770	720	42	5	390	20-Ø41	605	395	283	254	1119	450	580	248	430	SA10.2	200	643
700	28"	960	875	820	46.5	5	430	24-Ø44	662	452.5	283	336	1217	530	598	286	480	SA10.2	315	963
800	32"	1085	990	928	51	5	470	24-Ø50	636	512.5	283	254	1410	614	691	248	560	SA10.2	200	1217
900	36"	1185	1090	1028	55.5	5	510	28-Ø50	680	562.5	283	254	1530	675	750	248	615	SA10.2	200	1517
1000	40"	1320	1210	1140	60	5	550	24-Ø57/4-M52	741	620	283	254	1712	748	839	248	670	SA10.2	200	2136
1200	48"	1530	1420	1350	69	5	630	32-Ø57	797	732.5	283	254	1971	865	981	248	800	SA10.2	200	3071
1400	56"	1755	1640	1560	74	5	710	36-Ø62	915	842.5	389	336	2313	1011	1263	286	920	SA14.2	315	4833
1600	64"	1975	1860	1780	81	5	790	36-Ø62/4-M56	915	962.5	389	336	2588	1161	1263	286	1050	SA14.2	315	6752

## ISO 5210 UPPER FLANGE DIMENSIONS



DN		ISO 5210							Number of turns	Torque* (Nm)	
mm	inch	ISO 5210	Ød0	n-Ød1	Ød2	Ød3	Ød4	h			bxh1
100	4"	F10	20	4-Ø10	125	102	70	28	6X20	10	14
150	6"	F10	20	4-Ø10	125	102	70	28	6X20	12	48
200	8"	F10	20	4-Ø10	125	102	70	28	6X20	12	80
250	10"	F10	20	4-Ø10	125	102	70	30	6X20	20	72
300	12"	F10	20	4-Ø10	125	102	70	30	6X25	80	29
350	14"	F10	20	4-Ø10	125	102	70	30	6X25	64	51
400	16"	F10	20	4-Ø10	125	102	70	30	6X25	64	67
450	18"	F10	20	4-Ø10	125	102	70	30	6X25	96	60
500	20"	F10	20	4-Ø10	125	102	70	30	6X25	96	87
600	24"	F10	20	4-Ø10	125	102	70	30	6X25	198,9	67
700	28"	F10	20	4-Ø10	125	102	70	30	6X25	198,9	93
800	32"	F10	20	4-Ø10	125	102	70	30	6X25	382,2	60
900	36"	F10	20	4-Ø10	125	102	70	30	6X25	421,4	79
1000	40"	F10	20	4-Ø10	125	102	70	30	6X25	641,25	65
1200	48"	F10	20	4-Ø10	125	102	70	30	6X25	641,25	116
1400	56"	F10	20	4-Ø10	125	102	70	30	6X25	559	193
1600	60"	F10	20	4-Ø10	125	102	70	30	6X25	421,4	107

\* Values without safety factor

**Tecofi France**

83 rue Marcel Mérioux - 69960 Corbas

Tél. +33 (0)4 72 79 05 79 - Fax. +33 (0)4 78 90 19 19

E-mail : sales@tecofi.fr - [www.tecofi.fr](http://www.tecofi.fr)

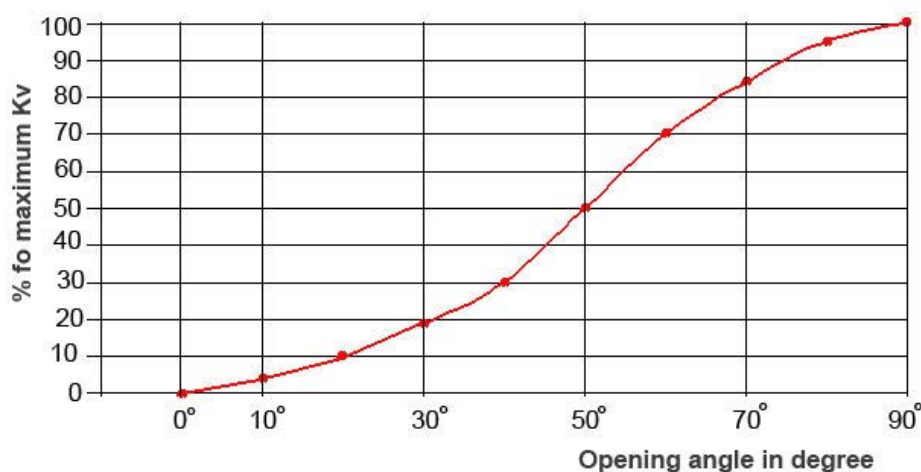


# DOUBLE EXCENTRIC BUTTERFLY VALVE TYPE TECWAT

## WORKING CONDITIONS

Maximum working pressure : 25 bar.  
Maximum working temperature : + 80 °C.

## FLOW FACTOR - Kv



DN	mm	200	250	300	350	400	450	500	600	700	800	900	1000	1100	1200	1400	1600
	inch	8"	10"	12"	14"	16"	18"	20"	24"	28"	32"	36"	40"	44"	48"	56"	64"
Kvs		1880	3800	4950	8000	10900	14200	18250	28000	40500	55100	74000	93338	116213	142516	167310	264433

Values given for information

## Tecofi France

83 rue Marcel Mérieux - 69960 Corbas  
Tél. +33 (0)4 72 79 05 79 - Fax. +33 (0)4 78 90 19 19  
E-mail : sales@tecofi.fr - [www.tecofi.fr](http://www.tecofi.fr)

