

Ref. : VP 4251-08.pas

Rev. : G

Date : 14/11/2018

Page : 1/1

DOUBLE EXCENTRIC TYPE BUTTERFLY VALVE WITH GEAR BOX TECWAT

VP 4251-08



APPLICATION

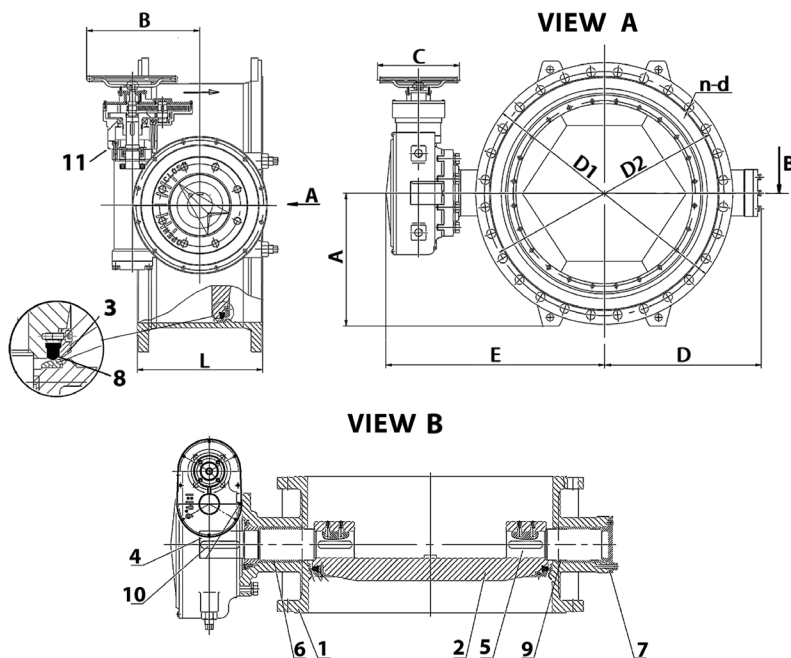
General use : potable water.

GENERAL CHARACTERISTICS

TECWAT type : long pattern.
 Design in according to EN 593.
 Range : from DN 100 to DN 1600.
 Assembling with preferential sense Bi-directional.
 Double excentric type.
 Replaceable seat, no wrenkling possibility.
 Food epoxy painting RAL 5015 250 microns thickness

CONSTRUCTION

18	Gear box		
17	End cover	Ductile iron	
16	O seal ring	EPDM	
15	Lower shaft	Stainless steel X20Cr13	DIN: 1.4021 ASTM: AISI 420 BS: 420 S 37
14	Disc	Ductile iron EN-GJS-500-7	DIN: GGG 50 ASTM: A536 70-50-05 BS: 1563 EN-JS1050
13	Pin	Stainless steel X20Cr13	DIN: 1.4021 ASTM: AISI 420 BS: 420 S 37
12	Disc seal ring	EPDM	
11	Retainer ring	Stainless steel 304	
10	Body seal ring	Stainless steel 304	
9	Body	Ductile iron EN-GJS-500-7	DIN: GGG 50 ASTM: A536 70-50-05 BS: 1563 EN-JS1050
8	Shaft bush	Al-bronze	
7	Flexible gasket	Stainless steel	3 Cr13
6	Flat gasket	Stainless steel	A2
5	Bolt	Stainless steel	A2-70
4	Packing gland	Ductile iron	
3	Locking pin	Stainless steel X20Cr13	DIN: 1.4021 ASTM: AISI 420 BS: 420 S 37
2	Key	Stainless steel X20Cr13	DIN: 1.4021 ASTM: AISI 420 BS: 420 S 37
1	Upper shaft	Stainless steel X20Cr13	DIN: 1.4021 ASTM: AISI 420 BS: 420 S 37
Rep.	Designation	Material	



DIMENSIONS

DN	L	A	B	ØC	D	ØD1	ØD2	E	n-d	Weight (kg)	
mm	inch										
100	4"	190	127.5	119	180	142	235	190	257	8-Ø23	36
150	6"	210	165	144	240	188	300	250	320	8-Ø28	56
200	8"	230	190	253.4	320	221	360	310	365	12-Ø28	80
250	10"	250	220	253.4	320	254	425	370	402	12-Ø31	104
300	12"	270	250	320	400	298	485	430	459	16-Ø31	180
350	14"	290	285	320	240	318	555	490	512	16-Ø34	208
400	16"	310	315	348	400	370	620	550	575	16-Ø37	294
450	18"	330	340	348	400	406	670	600	585	20-Ø37	361
500	20"	350	370	385	400	453	730	660	659	20-Ø37	416
600	24"	390	427.5	385	400	495	845	70	740	20-Ø41	618
700	28"	430	485	430	400	569	960	875	829	24-Ø44	938
800	32"	470	547.5	430	400	646	1085	990	925	24-Ø50	1192
900	36"	510	597.5	430	400	695	1185	1090	974	28-Ø50	1492
1000	40"	550	665	515	400	779	1320	1210	1144	24-Ø57 / 4-M52	2111
1200	48"	630	770	612	400	903	1530	1420	1349	32-Ø57	3046
1400	56"	710	882.5	612	400	1041	1755	1640	1475	36-Ø62	4808
1600	64"	790	992.5	795	600	1208	1975	1860	1644	36-Ø62 / 4-M56	6727

WORKING CONDITIONS

Maximum working pressure : 25 bar.
 Maximum temperature : + 80 °C.

STANDARDS

Design according to EN 593.
 Test procedures are established according to standards EN 12266-1 and API 598.
 Face to face according to standard EN 558-1 serie 14.
 Connections according to standard EN 1092-2 ISO PN25.

TECOFI France - 83, Rue Marcel Mérieux 69960 Corbas - FRANCE
 Tél. +33 (0) 4 72 79 05 79 - Fax +33 (0) 4 78 90 19 19 / +33 (0) 4 72 79 05 70
 Adresses e-mail : sales@tecofi.fr ; tecofi@tecofi.fr / Site web : www.tecofi.fr