

DOUBLE EXCENTRIC BUTTERFLY VALVE TYPE TECWAT

TECHNICAL PASSPORT

PN16 FLANGED DOUBLE EXCENTRIC BUTTERFLY VALVE WITH ELECTRIC ACTUATOR AUMA

VP 4248-U04

APPLICATION

Tecwat type butterfly valves are intended to be used for ON/OFF operations in fluid transfer circuits.

Area of use: water networks, production plants, pumping stations, fire circuits on industrial site, etc.

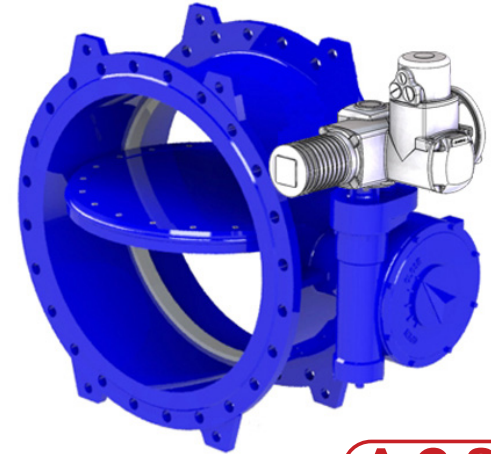


Fluids: water, drinking water.

GENERAL CHARACTERISTICS

TECWAT model: long pattern.

- Design according to NF EN 593.
- Range : from DN100 to DN1600.
- Bi-directional sealing with a preferred mounting direction indicated by the arrow on the body.
- Double eccentric butterfly valve prevents wear due to the stainless steel seat attached to the body.
- Seal on disc retained by a stainless steel retaining ring.
- Optimized maneuvering torque.
- Low pressure drop.
- Operating by IP67 gear box.
- Equipped with an ISO 5210 actuator mounting plate.
- Clockwise closing.



ACS

DRY SHAFT

STANDARDS

Design	Complies with standard EN 593
Face to face	Face to face according to standard NF EN 558 serie 14.
Connection	ISO PN16 flange mounting according to standard EN1092-2.
Tests	Hydraulic tests carried out according to the standard EN12266-1: -Body : 24 bar -Seat : 17.6 bar

PRODUCT APPROVALS

WRAS Certificate n° 1607394

Health compliance certificate n° 19 ACC LY 582



EN 1074

ACS

Tecofi France

83 rue Marcel Mérioux - 69960 Corbas

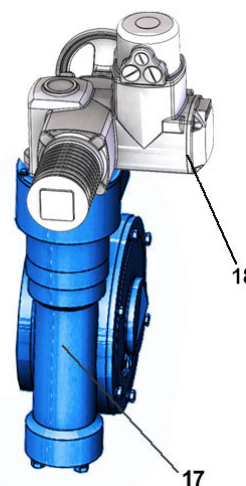
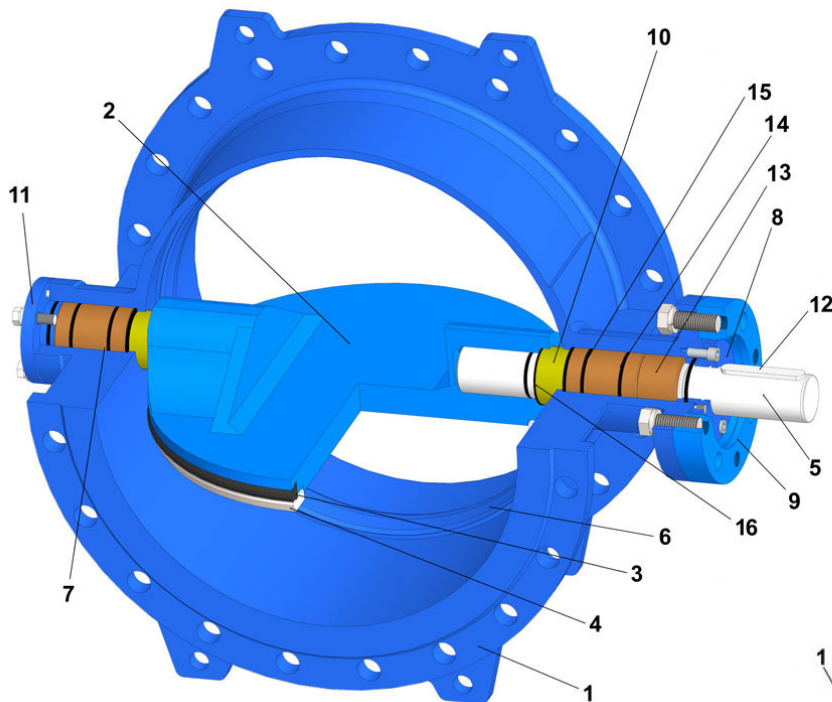
Tél. +33 (0)4 72 79 05 79 - Fax. +33 (0)4 78 90 19 19

E-mail : sales@tecofi.fr - www.tecofi.fr

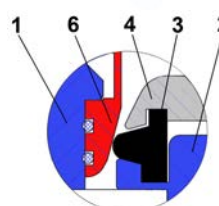


DOUBLE EXCENTRIC BUTTERFLY VALVE TYPE TECWAT

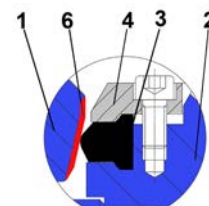
CONSTRUCTION



TIGHTNESS



DN80-150



DN200-1600

Component	Coating
Body & disc	Epoxy powder RAL 5015 250 microns

Pos.	Description	Material	Equivalences		
			DIN	ASTM	BS
1	Body	Ductile iron ENGJS-500-7	GGG 50	ASTM 80-55-06	BS 500/7
2	Disc	Ductile iron ENGJS-500-7	GGG 50	ASTM 80-55-06	BS 500/7
3	Sealing gasket	EPDM			
4	Retaining ring	Stainless steel X5CrNi 18 10	X5CrNi 18 10	A 182 AISI 304	1449-2 304 S15
5	Shaft	Stainless steel 420	1.4021	AISI 420	420 S 37
6	Body seal ring	Stainless steel X5CrNi 18 10	X5CrNi 18 10	A 182 AISI 304	1449-2 304 S15
7	Bearing	Al-Bronze	G-CuAl10Fe	C95200	ZCuAl10Fe3
8	Packing gland	Ductile iron	GGG 50	ASTM 80-55-06	BS 500/7
9	Mounting flange	Steel Q235B	EN 10025-2	ASTM A36	S235JR
10	Adjusting bushing	Al-Bronze	G-CuAl10Fe	C95200	ZCuAl10Fe3
11	Cover	Ductile iron ENGJS-500-7	GGG 50	ASTM 80-55-06	BS 500/7
12	Key	Stainless steel 420	1.4021	AISI 420	420 S 37
13	Shaft bushing	Al-Bronze	G-CuAl10Fe	C95200	ZCuAl10Fe3
14	O seal ring	EPDM			
15	Shaft gasket	EPDM			
16	Gasket	EPDM			
17	Gear box	Ductile iron			
18	Electric actuator	AUMA			

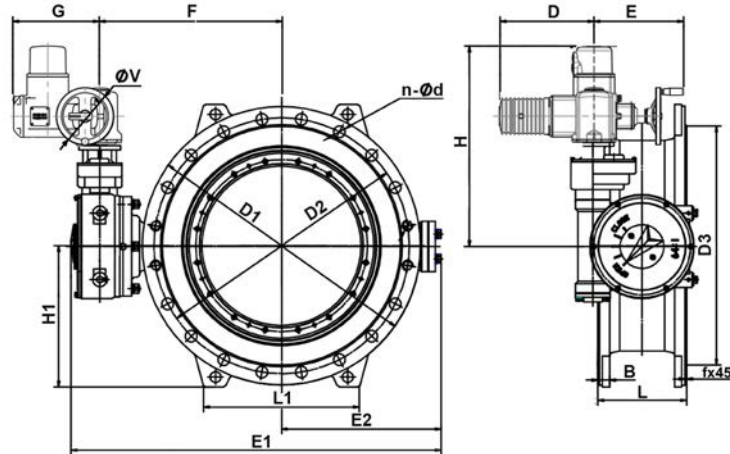
Tecofi France

83 rue Marcel Mérioux - 69960 Corbas
Tél. +33 (0)4 72 79 05 79 - Fax. +33 (0)4 78 90 19 19
E-mail : sales@tecofi.fr - www.tecofi.fr



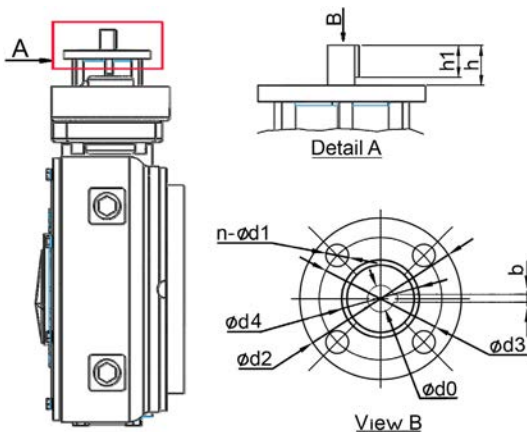
DOUBLE EXCENTRIC BUTTERFLY VALVE TYPE TECWAT

DIMENSIONS



DN		ØD1	ØD2	ØD3	B	f	L	n-Ød	H	H1	D	E	E1	E2	F	G	L1	Actuator reference	ØV	Weight (kg)
mm	inch																			
100	4"	220	180	156	19	3	190	8-Ø19	-	117	265	249	284	133	194	238	150	SA7.2	160	42
125	5"	250	210	184	19	3	200	8-Ø19	-	-	265	249	-	-	-	238	-	SA7.2	160	45
150	6"	285	240	211	19	3	210	8-Ø23	-	147.5	265	249	315	164	225	238	180	SA7.2	160	50
200	8"	340	295	266	20	3	230	12-Ø23	425	175	265	249	526	198	272	238	196	SA7.6	160	72
250	10"	405	355	319	22	3	250	12-Ø28	468	202.7	265	249	568	219	328	248	240	SA7.6	160	110
300	12"	460	410	370	24.5	4	270	12-Ø28	468	227.5	283	254	670	254	351	248	275	SA10.2	200	146
350	14"	520	470	429	26.5	4	290	16-Ø28	482	257.5	283	254	720	279	407	248	280	SA10.2	200	196
400	16"	580	525	480	28	4	310	16-Ø31	480	287.5	283	254	834	320	437	238	310	SA10.2	200	221
450	18"	640	585	548	30	4	330	20-Ø31	607	312.5	265	249	903	359	488	248	340	SA7.6	200	265
500	20"	715	650	609	31.5	4	350	20-Ø34	605	340	283	254	988	393	530	248	370	SA10.2	200	359
600	24"	840	770	720	36	5	390	20-Ø37	605	395	283	254	1119	450	548	248	430	SA10.2	200	485
700	28"	910	840	794	39.5	5	430	24-Ø37	662	452.5	283	254	1217	530	640	286	480	SA10.2	315	656
800	32"	1025	950	901	43	5	470	24-Ø41	636	512.5	389	336	1410	614	698	248	560	SA14.2	200	856
900	36"	1125	1050	1001	46.5	5	510	28-Ø41	680	562.5	283	254	1530	675	789	248	615	SA10.2	200	1173
1000	40"	1255	1170	1112	50	5	550	28-Ø44	741	620	283	254	1712	748	882	248	670	SA10.2	200	1447
1100	44"	1355	1270	1218	55	5	590	32-Ø44	-	682.5	283	254	1967	795	1008	248	750	SA10.2	200	2272
1200	48"	1485	1390	1328	57	5	630	32-Ø50	797	732.5	283	254	1971	865	1038	248	800	SA10.2	200	2351
1400	56"	1685	1590	1530	60	5	710	36-Ø50	889	842.5	283	254	2313	1011	1253	248	920	SA10.2	200	3778
1500	60"	1930	1820	1750	65	5	790	36-Ø57/4-M52	317	915	283	254	2489	1112	1300	248	980	SA10.2	200	3432
1600	64"	1930	1820	1750	65	5	790	36-Ø57/4-M52	915	962.5	389	336	2588	1161	1369	286	1050	SA14.2	315	4507

ISO 5210 UPPER FLANGE DIMENSIONS



DN		ISO 5210										Number of turns	Torque * (Nm)
mm	inch	ISO flange	Ød0	n-Ød1	Ød2	Ød3	Ød4	h	bxh1				
80	3"	F07	15	4-Ø8	90	70	55	18	5X16	8	5		
100	4"	F07	15	4-Ø8	90	70	55	18	5X16	8	11		
125	5"	F07	15	4-Ø8	90	70	55	18	5X16	8	16		
150	6"	F10	20	4-Ø10	125	102	70	28	6X20	10	15		
200	8"	F10	20	4-Ø10	125	102	70	28	6X20	10	33		
250	10"	F10	20	4-Ø10	125	102	70	28	6X20	12	49		
300	12"	F10	20	4-Ø10	125	102	70	28	6X20	12	69		
350	14"	F10	20	4-Ø10	125	102	70	30	6X25	20	63		
400	16"	F10	20	4-Ø10	125	102	70	30	6X25	20	84		
450	18"	F10	20	4-Ø10	125	102	70	30	6X25	80	32		
500	20"	F10	20	4-Ø10	125	102	70	30	6X25	64	54		
600	24"	F10	20	4-Ø10	125	102	70	30	6X25	64	83		
700	28"	F10	20	4-Ø10	125	102	70	30	6X25	96	80		
800	32"	F10	20	4-Ø10	125	102	70	30	6X25	96	118		
900	36"	F10	20	4-Ø10	125	102	70	30	6X25	198.9	75		
1000	40"	F10	20	4-Ø10	125	102	70	30	6X25	382.2	52		
1100	44"	F10	20	4-Ø10	125	102	70	30	6X25	421.4	61		
1200	48"	F10	20	4-Ø10	125	102	70	30	6X25	421.4	75		
1400	56"	F10	20	4-Ø10	125	102	70	30	6X25	641.25	70		
1500	60"	F10	20	4-Ø10	125	102	70	30	6X25	641.25	74		
1600	60"	F10	20	4-Ø10	125	102	70	30	6X25	641.25	107		

* Values without safety factor

Tecofi France

83 rue Marcel Mérioux - 69960 Corbas

Tél. +33 (0)4 72 79 05 79 - Fax. +33 (0)4 78 90 19 19

E-mail : sales@tecofi.fr - www.tecofi.fr

ISO 9001
ISO 14001
BUREAU VERITAS
Certification

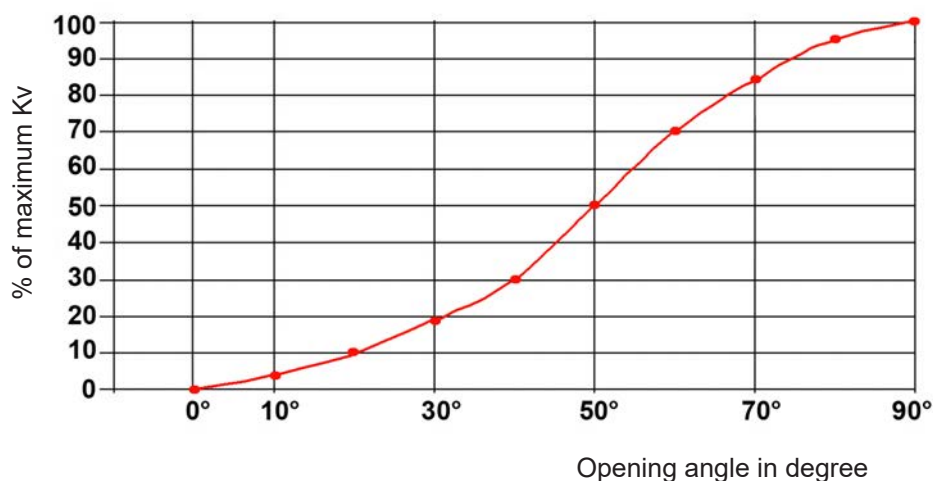


DOUBLE EXCENTRIC BUTTERFLY VALVE TYPE TECWAT

WORKING CONDITIONS

Maximum working pressure : 16 bar.
Maximum working temperature : + 80 °C.

FLOW FACTOR - Kv



DN	mm	200	250	300	350	400	450	500	600	700	800	900	1000	1100	1200	1400	1600
	inch	8"	10"	12"	14"	16"	18"	20"	24"	28"	32"	36"	40"	44"	48"	56"	64"
Kvs		1880	3800	4950	8000	10900	14200	18250	28000	40500	55100	74000	93338	116213	142516	167310	264433

Values given for information

Tecofi France

83 rue Marcel Mérieux - 69960 Corbas
Tél. +33 (0)4 72 79 05 79 - Fax. +33 (0)4 78 90 19 19
E-mail : sales@tecofi.fr - www.tecofi.fr

